



The **NEW** Coating Thickness Meters **MEGA – CHECK**

Basic - Profi - Master



The new **MEGA-CHECK** generation sets a new standard in coating thickness measurement. The devices use the most advanced electronic technique.

For the first time the measuring probes are fitted up with an own microcontroller which converts the analog probe signals and send them digitized to the control unit. This new technique makes them nearly trouble-free and ensure high precision and reproduceable measurements.

The probe cable is connectable from both sides (control unit and probe) and therefore easy to service. In case of a broken cable the device must not be sent back to the manufacturer, the operator can exchange the cable by himself.

The new **MEGA-CHECK** devices have a big, clearly arranged graphic display with backlit.

A wide selection of ferrous, non-ferrous and dual probes also of small size can be connected. Worldwide the first dual probe with swinging probe head.

Menu selection in several languages.

Power supply either by 3 x 1,5 V Mignon batteries or 3 x 1.2 V rechargeable batteries.

The **MEGA-CHECK** devices are of high quality and manufactured exclusively in **Germany**.

The MEGA-CHECK **Master** includes the new SCAN-function especially designed to measure the coating on rough or blasted surfaces. In a few seconds the real coating thickness can be determined.

The DUPLEX function enables the operator to find out the thickness of insulating coatings on zinc plated steel.

With the new analog diagram on the display the run of measurements in a preselected range limit can be observed when taking measurements continuously.

The MEGA-CHECK **Profi** and **Master** includes the facility to store three reference calibrations.



MEGA-CHECK Basic The **standard device** easy to operate without memory and interface for measurements on-site,

MEGA-CHECK Profi The **comfortable device** with built-in memory and USB interface for those users who prefer easy operation but need to evaluate and document the measured values.

MEGA-CHECK Master The **TOP device** with new functions and conveniences especially designed for professional users.

- Memory (10.000 readings) max. 100 batches
- DUPLEX function (coating on zinc plated steel)
- USB Radio Interface
- SCAN function to measure on rough surfaces
- Analog diagram with range selection limit when measuring continuously
- Calibrations can be stored for different objects

Features and technical datas:

Function	<i>Basic</i>	<i>Profi</i>	<i>Master</i>
Measurement of paint, varnish, plastics and galvanizing on iron and steel	X	X	X
Measurement of insulating coatings (paint, varnish, plastics, anodizing) on non-ferrous metals	X	X	X
Measuring Range:	s. probe table	s. probe table	s. probe table
Resolution: 1 - 100 μm : 0.1 μm > 100 μm : 1 μm > 2000 μm : 0.01 mm	X	X	X
Accuracy: below 100 μm : $\pm 1 \mu\text{m}$ 100 - 1000 μm : $\pm 1 \%$ 1000 - 2000 μm : $\pm 3 \%$ above 2000 μm : $\pm 5 \%$	X	X	X
Available Probes:	s. probe table	s. probe table	s. probe table
Power Supply: 3 x 1.5V AA Mignon, a. W. 3 x 1.2V AA Akku rechargeable	X	X	X
One / Two-Point calibration:	X	X	X
Automatic Switch Off:	X	X	X
Conversion μm – mils:	X	X	X
Data Logger:	-	10.000 readings	10.000 readings
Batches:	-	1	max. 100
Calibration memory:	-	3	3
Multilingual Menu	X	X	X
Statistics (MAX. MIN. MEAN. NO. STD.DEV.)	-	X	X
Display of stored readings and statistics	-	X	X
SCAN – Function to measure on rough surfaces:	-	-	X
Analog diagram with continuous measurement:	-	-	X
Duplex – Value indication:	-	-	X
Graphic – Display with backlit:	X	X	X
Radio – USB Interface:	-	X	X
Dimensions:	198 x 92 x 35 mm	198 x 92 x 35 mm	198 x 92 x 35 mm
Weight incl. Batteries:	265 g	265 g	265 g

Standards: DIN, ISO, ASTM, BS

The devices are supplied with a calibration set, operation manual in a well designed plastic bag.

Optionals

Thermo Printer MEGA-PRINT
incl. Charger and connection cable



Software

Data input software
TRANSFER

Data input software
TRANSFER-EXCEL

Graphic statistic software
STAT-6

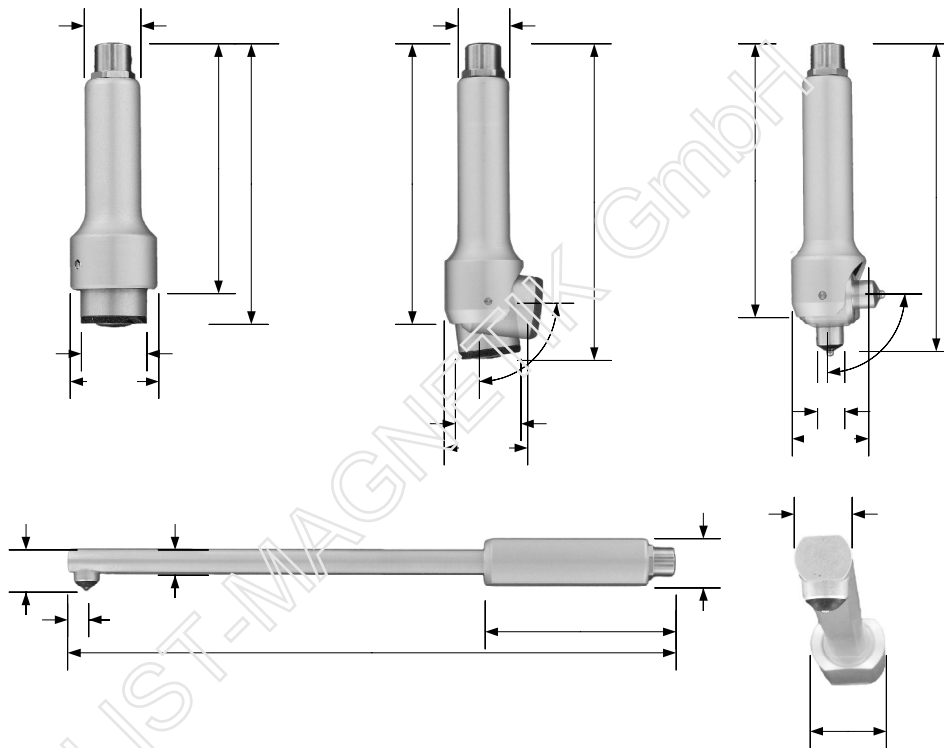


LIST-MAGNETIK
Dipl.-Ing. Heinrich List GmbH





MEGA-CHECK - Basic - Profi – Master -
Measuring Probes:



Technical Datas:

Type	Measuring Technique	Description	Range	Smallest Area	Smallest curvature radius convex	Smallest curvature radius concave
PF-5	magnetic-induction	Standard-Probe springloaded guide (ferrous)	0 – 5000 µm	Ø 4 mm	4 mm	38 mm
PF-5S	magnetic-induction	Standard Swinging Probe springloaded guide (ferrous)	0 – 5000 µm	Ø 4 mm	4 mm	38 mm
PFN-52D	magnetic-induction+eddy current	Dual Function Probe springloaded guide (ferrous+non ferrous)	F 0–5000 µm N 0-2500 µm	Ø 6 mm	F 4 mm N 6 mm	F 38 mm N 38 mm
PFN-52DS	magnetic-induction+eddy current	Dual Function Swinging Probe, springloaded guide (ferrous+non ferrous)	F 0–5000 µm N 0-2500 µm	Ø 6 mm	F 4 mm N 6 mm	F 38 mm N 38 mm
PF-1S	magnetic-induction	Special Swinging Probe for small objects, springloaded guide (ferrous)	0 – 1000 µm	Ø 2 mm	1 mm	6 mm
PF – 3T	magnetic-induction	Special-Probe to measure inside of pipes + slots (ferrous)	0 – 3000 µm	Ø 3 mm	2 mm	8 mm