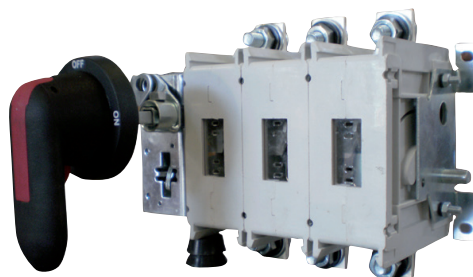


## On-Load Break Switch

### Technic Characteristics

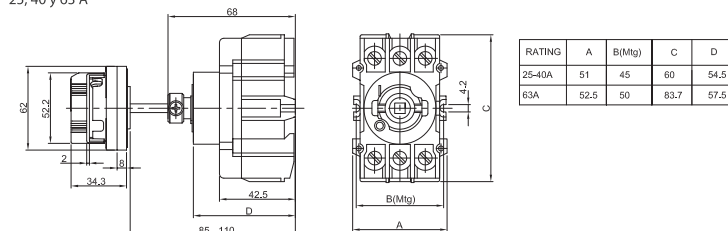
Standard	IEC 60947-3
Nominal Voltage (Un)	415 V
Frequency	50/60 Hz
Temperature	55 °C
Protection Index	IP-54
Poles	3 P



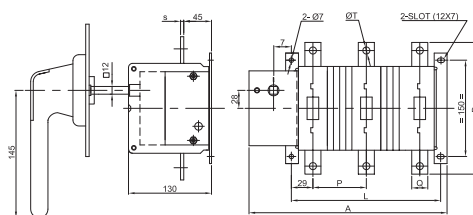
Code	Current
	A
ITC004000000000	40
ITC006300000000	63
ITC008000000000	80
ITC010000000000	100
ITC012500000000	125
ITC016000000000	160
ITC020000000000	200
ITC025000000000	250
ITC031500000000	315
ITC040000000000	400
ITC050000000000	500
ITC630000000000	630
ITC800000000000	800
ITC100000000000	1000
ITC125000000000	1250
ITC160000000000	1600



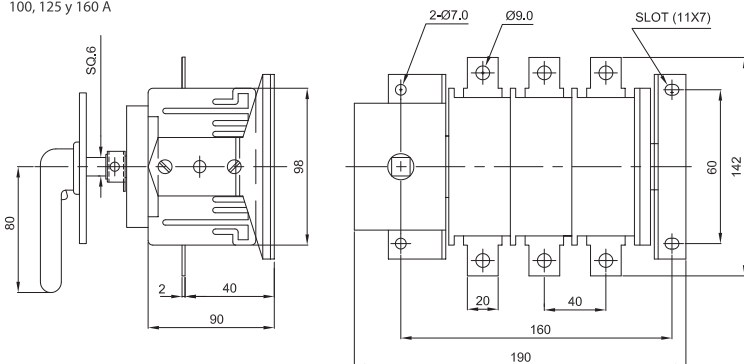
25, 40 y 63 A



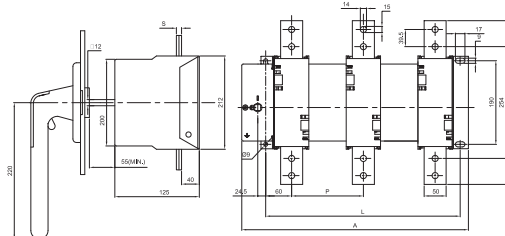
400, 630, 800 A



100, 125 y 160 A



1000, 1250, 1600 y 1800 A



200, 250 y 400 A

