



KITS



PUMPS



METERS



METERED NOZZLES



NOZZLES



WASTE OIL  
EQUIPMENTS

# EASY DRAINER 80

## FEATURES

- COMPRESSED AIR NOT REQUIRED
- READY / EASY TO USE
- EASY TO MOVE
- COMPACTNESS
- LEVEL INDICATOR
- GRATE DRIPPING SYSTEM
- COLLECTION TANK
- TELESCOPIC

The PIUSI EASY DRAINER 80 is the simplest equipment to answer any need of draining oil out of a vehicle. Its mobile cart allows the system to be used on any surface.

### PERFORMANCE

UP TO  
**80L**

TANK CAPACITY

UP TO  
**12L**

BOWL CAPACITY

**2M**  
LENGTH

DISCHARGING PIPE



EASY DRAINER 80

### PACKAGING

CODE	WEIGHT		PACKAGING			
	KG	LBS	MM	INCH	PCS/PALLET	PCS/BOX
FOO215A20	27,5	60,6	480X520X1210	18,1X18,1X39,8		1



FILTRATION



FLUID MONITORING



TANK MONITORING



HOSE REELS



ACCESSORIES



MERCHANDISE



AIR



ANTIFREEZE



AdBlue®



BIODIESEL



DIESEL



FOOD



GASOLINE



GREASE



KEROSENE



OIL

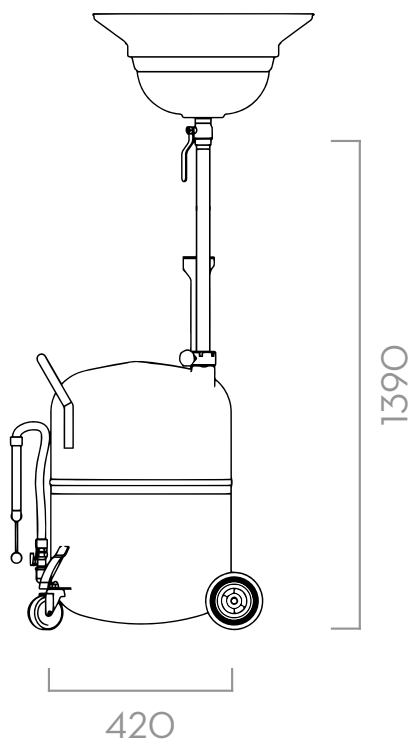


WATER



WINDSCREEN

## DIMENSIONS



Dimensions exprimées en millimètres

## IN THE BOX

- EASY DRAINER 80
- INSTRUCTION MANUAL

## DETAILS



INFLATING VALVE + GAUGE

## MATERIALS

- BODY: CAST IRON

## TECHNICAL DATA

CODE	DESCRIPTION	FLUIDS TYPE	TANK CAPACITY		TANK LEVEL GAUGE	BOWL Ø 520 MM CAPACITY	DISCHARGE SAFETY VALVE	FLEXIBLE PROBES KIT	DISCHARGING PIPE	SUCTION PIPE	TRANSPARENT VIEWER
			LIT	GAL							
FOO215A20	EASY-DRAINER 80		80	21,1	YES	12	YES	NO	2	NO	NO

# EASY DRAINER 80