

Inline unit ASEPTconnect for clamp-connection per DIN 11864 Type series MZ2300



Application area

- Pharmaceutical industry
- Biotechnology
- Food industry
- Brewing industry
- Chemical industry

Features

- Inline unit with aseptic clamp-connection per DIN 11864-3, groove side, dead-zone free
- Process connection:
 - pipe ends
 - clamp-connection
- Seals gap-free by means of an O-ring
- Fast and accurate mounting of the devices
- Various pipe diameters available
- Hygienic design
- Suitable for CIP or SIP procedures
- Pipe ends suitable for orbital welding
- Delta ferrite content < 0.5 %

Options

- Further process connections upon request
- Customised solutions

Application

The ASEPTconnect Inline unit allows to install measuring instruments into pipes taking all requirements related to successful SIP and CIP procedures into account. The instrument connection is designed as Aseptic clamp-connection per DIN11864-3.

Technical data

Constructional design

Design:	Inline unit with device connection Horizontal mounting position
Nominal pressure:	depending on process connection PN 40 / PN 16
Torque	15 Nm
Material case:	Stainless steel mat.-no. 1.4435 (316L) Delta ferrite content < 0.5 %
Material O-ring:	EPDM, USP class VI (incl. certificate), FDA listed Other materials upon request
Type plate:	Laser marking

Pipe diameter

Pipe diameters per DIN 11866:	model A: DN 10 – DN 32 model B: ISO 13.5 – ISO 33.7 model C: 1/2" – 1 1/2"
-------------------------------	--

Further pipe diameters upon request

Process connection

- Pipe ends suitable for orbital welding
- Clamp-connection per DIN 32676

Device connection

Aseptic clamp-connection per DIN 11864-3, groove side, diameter 50.5 mm
(model A: DN 32, model B: DN 33.7, model C: 1")
Suitable diaphragm seal, aseptic design per DIN 11864-3, coupling side, Type series DL5, see data sheet D5-024

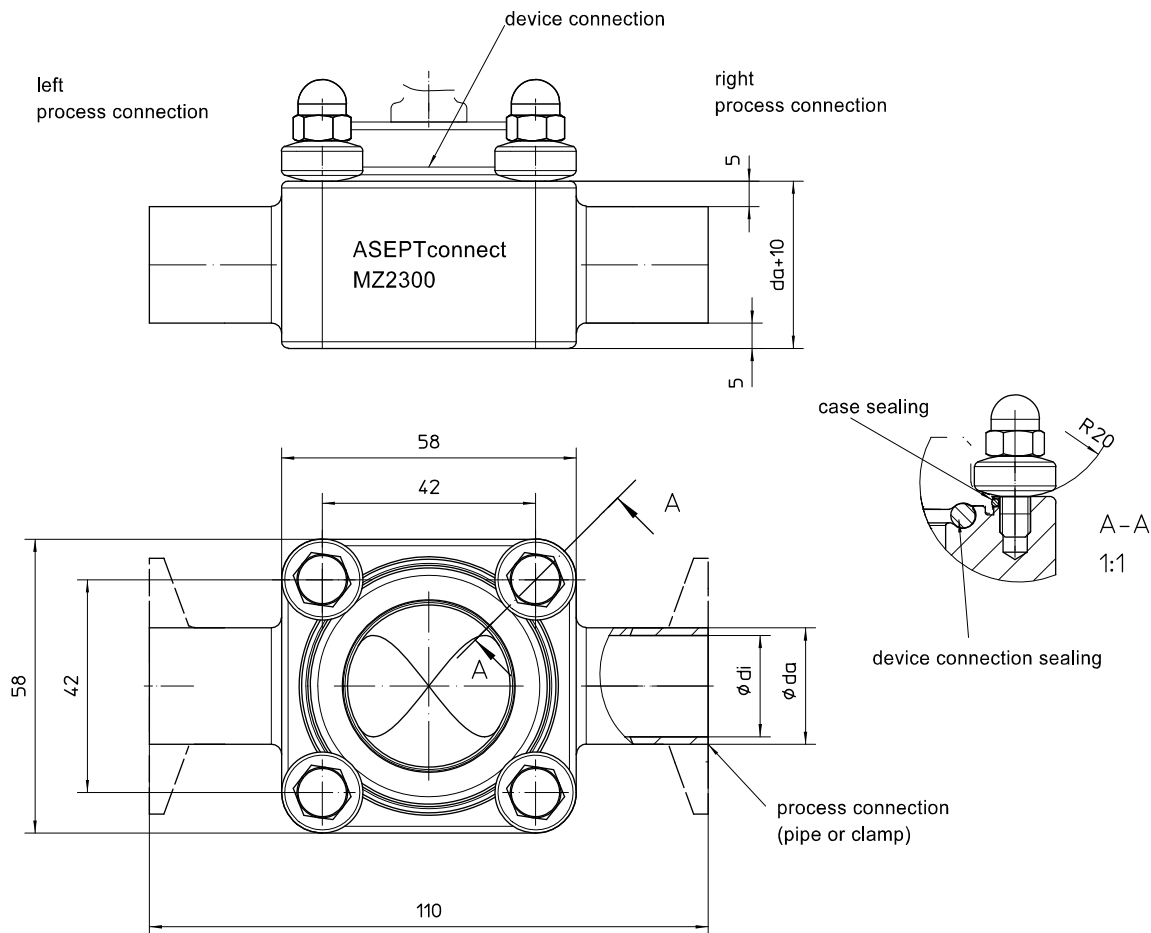
Hygienic design

Surface roughness:	standard: wetted parts $R_a < 0.8 \mu\text{m}$, external surfaces approx. $0.8 \mu\text{m}$ optional: wetted parts $R_a < 0.4 \mu\text{m}$, external surfaces approx. $0.8 \mu\text{m}$ optional: electropolished
--------------------	---

Temperature ranges

Medium:	-10...150 °C
---------	--------------

Dimensions



All dimensions are in mm

Pipes per DIN 11 866 model A, DIN 11850

DN	da	di	suitable diaphragm seal	device connection
10	13	10	see data sheet D5-024 Type code: DL5120-S1203	clamp-connection per DIN 11864, groove side DN 32, ϕ 50.5 mm, O-ring 28 x 3.5
15	19	16		
20	23	20		
25	29	26		
32	35	32		

Pipes per DIN 11 866 model B, ISO 1127

DN	da	di	suitable diaphragm seal	device connection
13.5	13.50	10.30	see data sheet D5-024 Type code: DL5210-S1203	clamp-connection per DIN 11864, groove side DN 33.7, ϕ 50.5 mm, O-ring 32 x 5.0
17.2	17.20	14.00		
21.3	21.30	18.10		
26.9	26.90	23.70		
33.7	33.70	29.70		

Pipes per DIN 11 866 model C, ASME-BPE

DN	da	di	suitable diaphragm seal	device connection
1/2"	12.70	9.40	see data sheet D5-024 Type code: DL5310-S1203	clamp-connection per DIN 11864, groove side DN 1", ϕ 50.5 mm O-ring 24 x 3.5
3/4"	19.05	15.75		
1"	25.40	20.10		
1 1/2"	38.10	34.80		

Order details

Inline unit ASEPTconnect for clamp-connection per DIN 11864, Type series MZ2300

Order details ASEPTconnect				
MZ2300	Inline unit ASEPTconnect			
A1	design	one-sided device connection (PN 40)		
K10	process connection	double-sided pipe ends, weldable (PN 40)		
K21		double-sided clamp-connection DIN 32676 (model A, model B, model C)	Ø 25 mm (PN 16)	
K22			Ø 34 mm (PN 16)	
K23			Ø 50.5 mm (PN 16)	
	pipe per DIN 11866	model A, DIN 11850	device connection	
		Nominal width	pipe dimensions	clamp-connection per DIN 11864, groove side DN 32; Ø 50.5 mm
D112		DN 10	13 x 1.5	
D113		DN 15	19 x 1.5	
D114		DN 20	23 x 1.5	
D115		DN 25	29 x 1.5	
D116		DN 32	35 x 1.5	
		model B, ISO 1127		clamp connection per DIN 11864, groove side DN 33.7; Ø 50.5 mm
		Nominal width	pipe dimensions	
D212		DN 13.5	13.5 x 1.6	
D213		DN 17.2	17.2 x 1.6	
D214		DN 21.3	21.3 x 1.6	
D215		DN 26.9	26.9 x 1.6	
D216		DN 33.7	33.7 x 2.0	
		model C, ASME-BPE		clamp connection per DIN 11864, groove side DN 1"; Ø 50.5 mm
		Nominal width	pipe dimensions	
D312		DN 1/2"	12.70 x 1.65	
D313		DN 3/4"	19.05 x 1.65	
D314		DN 1"	25.40 x 1.65	
D315	DN 1 1/2"	38.10 x 1.65		
F2	insertion length	110 mm		
HY	surface roughness	hygienic design, internal Ra ≤ 0,8 µm, external ≤ 0.8 µm		
HY04		hygienic design, internal Ra ≤ 0,4 µm, external ≤ 0.8 µm		
E7.4	material	stainless steel mat.-no. 1.4435 (316L), delta ferrite content < 0.5 %		
H2.1	gasket	EPDM FDA listed (incl. certificate), USP Class VI (incl. certificate)		

Additional features (to be indicated in case of need, only):

W4035	Inline access unit electropolished
W1020	material certificate per EN 10204-3.1

Order code (example): MZ2300 - A1 - K21 - ...