

## Highlights

By choosing the new HERMA 500, you can expect top performance in every aspect. Highlights of this technological flagship include a touchscreen with an innovative menu navigation and state-of-the-art interfaces.

For automatic label detection the FS03 sensor of HERMA senses the last label on the peel plate, thereby ensuring maximum precision.

Thanks to their modular design, the labeling machines are available at very short notice.



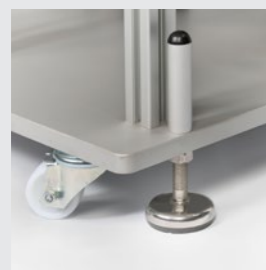
HERMA® is a registered trademark of HERMA GmbH. | © 2019 HERMA GmbH

### Technical data

Labeling type:	Top labeling • bottom labeling • top & bottom labeling
Product specifications:	Rectangular, dimensionally stable
Product dimensions:	Top labeling: 30 - 300 x 50 - 250 x 50 - 150 mm (L x W x H) Bottom labeling: 140 - 300 x 50 - 250 x 50 - 200 mm (L x W x H) Top & bottom labeling: 140 - 300 x 50 - 250 x 50 - 150 mm (L x W x H)
Label dimensions:	Top labeling: 15 - 160 x 30 - 300 mm (W x L) Bottom labeling: 15 - 120 x 30 - 300 mm (W x L)
Capacity:	Up to 250 products/minute
Power supply:	230 V, 50 Hz, 1 Phase
Compressed air supply:	6 bar (optional)
Printer:	Various hot-foil printers (optional)
Components:	Conveyor belt, side guide for products, applicator(s), control panel
Options:	Transfer plates at infeed and outfeed, moveable version, digital position indicators
Note:	If optional features are chosen, the above data may vary

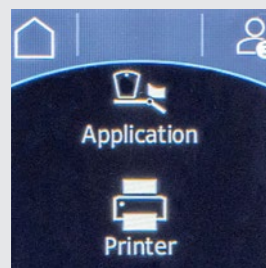
## Top & bottom labeling

# You have the choice – we have three suitable solutions!



## Useful options

If required, the machines are available as moveable versions, giving you the flexibility to place them exactly where they are needed.

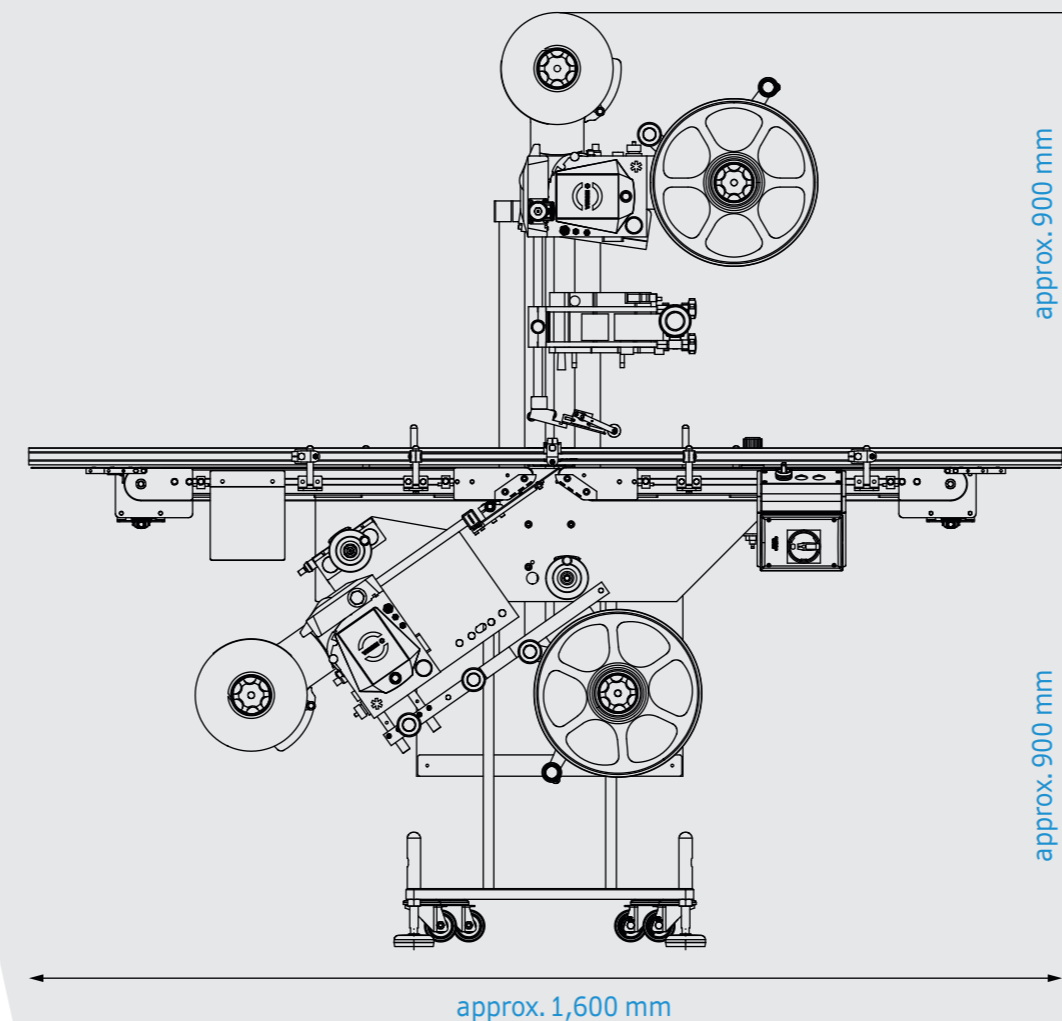


A hot-foil printer can be easily integrated to allow for variable data printing.



The machines are available with various conveyor belt dimensions, making them suitable for a wide range of applications.

Note: Images may show special equipment.



101.187484/1.2.19

452C

## Top labeling

# With the 452C, you will always come out on top

Designed for top labeling, the compact 452C delivers a flexible, reliable performance. Established and developed based on the modular technology of HERMA, the consistent 452C is always available at very short notice.

The 452C can master almost all top labeling challenges. Should product surfaces be smooth and flat or uneven with recesses, either way the HERMA 500 ensures high performance output.



452C on video

## Bottom labeling

# The 552C, the foundation for your success

In bottom labeling in particular, it is essential to minimize setup times with as little effort as possible.



The HERMA 500 can be easily adjusted to its insertion and working position allowing for quick and convenient changeover of label reels. The conveyor belt ensures the label application so the turning of the products is no longer necessary.



552C on video

552C  
652C

## Top & bottom labeling

# The 652C makes no compromises

Top and bottom labeling in one pass, this is what makes the 652C especially efficient and productive. This labeling machine has all the advantages of single task machines but remains compact and highly flexible in operation thanks to two HERMA 500. The 652C delivers excellent labeling results and can just as easily be used for individual top or bottom labeling if required.



652C on video