



## IRC SERIES

**The IRC Series Interchange Coupler**, commonly referred to as a Nordic interchange, offers a safety sleeve to prevent accidental disconnection and a poppet valve with elastomer seal to provide maximum sealing of the couplings once disconnected. Standard poppet and pressure eliminator poppet available. Connection under residual pressure is allowed in male or female; counterpart side should be without pressure.

Category: [Poppet Interchange Couplers](#) Tags: [Industry: Mobile](#), [Industry: Oil & Gas](#)

- [Description](#)
- [Quick Specs](#)

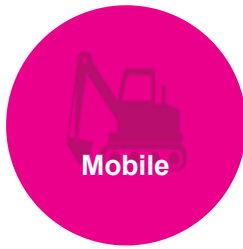
## DESCRIPTION

### FEATURES

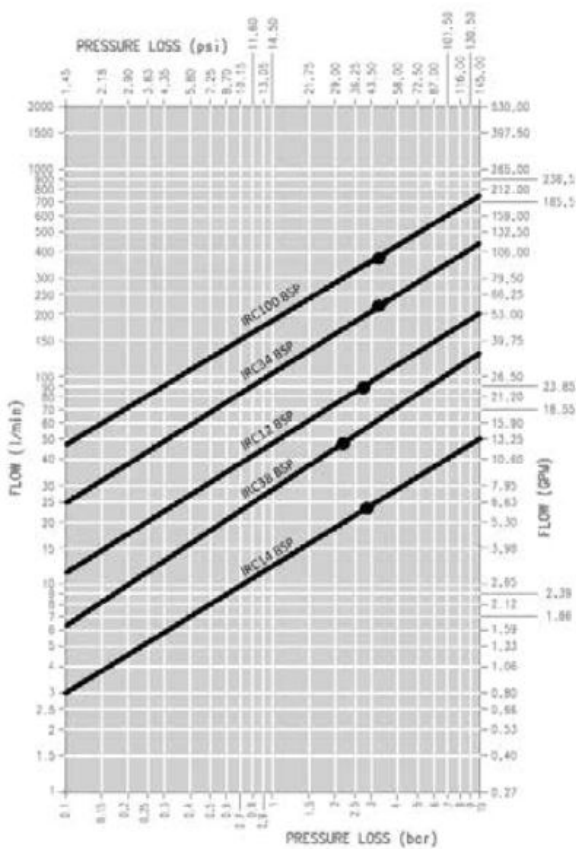
- Size range: 1/4" thru 1"
- Port options: NPT, BSP
- Interchanges with Tema T
- Working pressure: 33-60 MPa/4785-8700 psi range
- Compact design
- Internal parts designed to reduce turbulence and pressure drop
- Additional O-ring for extra sealing capacity and to contain spray

## APPLICATIONS

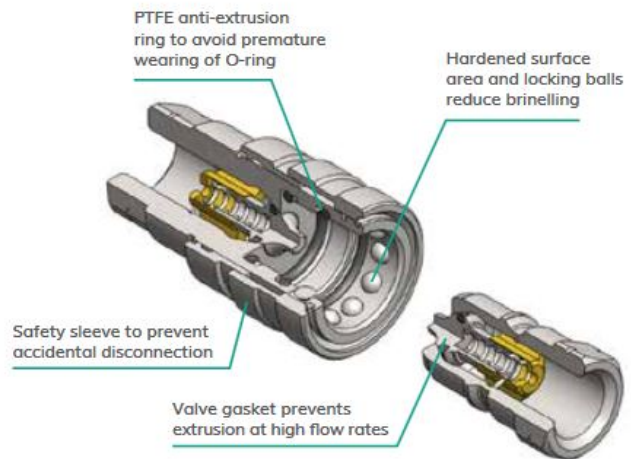
- Anywhere requiring high resistance to pressure impulses
- Mobile machinery
- Chemical industries, industrial plants and material handling



## Pressure Drop



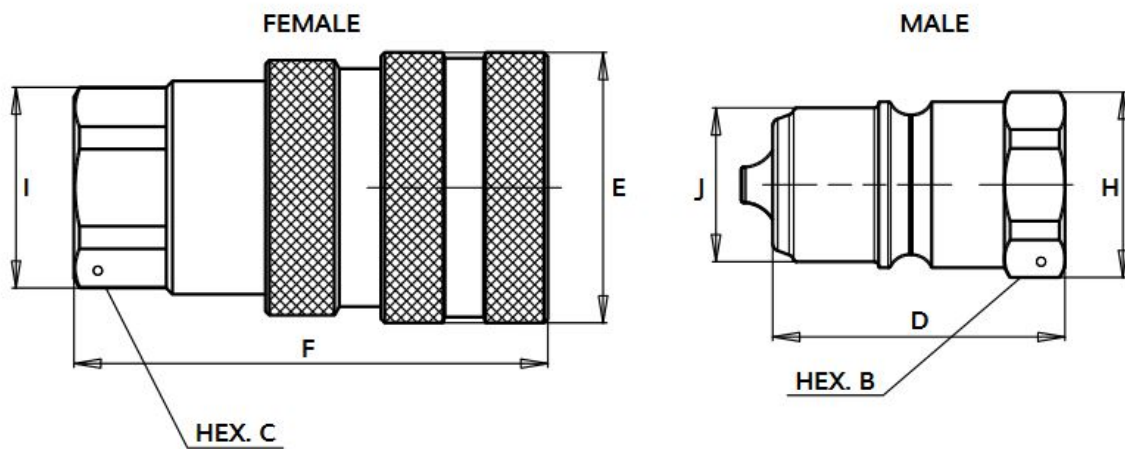
OIL = ISO VG32, TEMP = 40C, VISCOSITY = 28.8-35.2 MM<sup>2</sup>/S



DESCRIPTION	SIZE	ISO SIZE	MAX. OPERATING PRESSURE COUPLED		BURST PRESSURE COUPLED		MALE		FEMALE
			MPa	psi	MPa	psi	MPa	psi	MPa
<b>IR Series</b>									

IRC14	1/4	6.3	60	8700	180	26100	120	17400	120	17
IRC38	3/8	10.0	46	6742.5	130	18850	110	15950	110	15
IRC12	1/2	12.5	40	5800	110	15950	100	14500	100	14
IRC34	3/4	20.0	33	5365	100	14500	80	11600	80	11
IRC100	1	25.0	33	4785	100	14500	100	14500	100	14

## Size Diagram



DESCRIPTION	BODYSIZE	A	B	C	D	E	F	G	H	I	J
IRC14 NPTF	6.3	1/4	19	21	48.2	26	60	81.7	21	23	11.9
IRC38 NPTF	10	3/8	22	24	38	35	61.6	76.4	24	26	19.9
IRC12 NPTF	12.5	1/2	27	30	42.5	41	67.6	85.2	29	33	24.7
IRC34 NPTF	20	3/4	36	38	47	52	76.2	94.6	39	41.6	32.7
IRC100 NPTF	25	1	45	45	56.5	62	92	113.4	48	48	40.9

## IRC NPT and BSP Thread Tema "T" Series | European Interchange

PART	BODY SIZE	PORT SIZE	THREAD TYPE	ORDER CODE	DESCRIPTION
------	-----------	-----------	-------------	------------	-------------

**IRC NPT THREAD**

COUPLER	1/4	1/4	NPT	807902000	F. IRC 14 NPTF
NIPPLE	1/4	1/4	NPT	807902001	M. IRC 14 NPTF
COUPLER	3/8	3/8	NPT	807902002	F. IRC 38 NPTF
NIPPLE	3/8	3/8	NPT	807902003	M. IRC 38 NPTF
COUPLER	1/2	1/2	NPT	807902004	F. IRC 12 NPTF
NIPPLE	1/2	1/2	NPT	807902005	M. IRC 12 NPTF
COUPLER	3/4	3/4	NPT	807902006	F. IRC 34 NPTF
NIPPLE	3/4	3/4	NPT	807902007	M. IRC 34 NPTF
COUPLER	1	1	NPT	807902008	F. IRC 100 NPTF
NIPPLE	1	1	NPT	807902009	M. IRC 100 NPTF

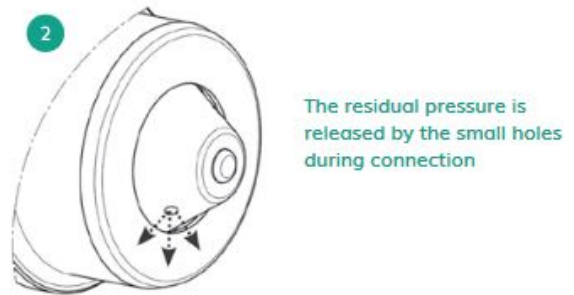
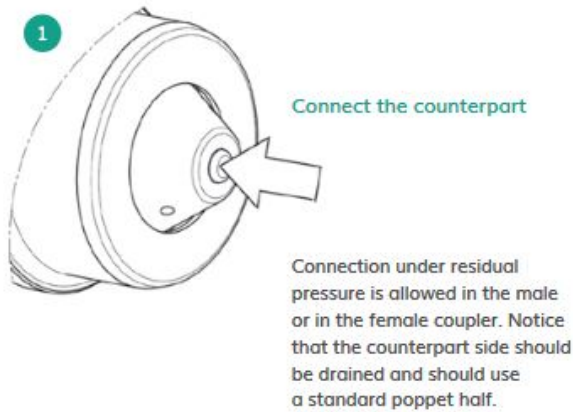
**IRH NPT THREAD – CONNECT UNDER PRESSURE VALVE**

COUPLER	3/8	3/8	NPT	807902010	F. IRC 38PC NPTF
NIPPLE	3/8	3/8	NPT	807902011	M. IRC 38PC NPTF
COUPLER	1/2	1/2	NPT	807902012	F. IRC 12PC NPTF
NIPPLE	1/2	1/2	NPT	807902013	M. IRC 12PC NPTF
COUPLER	3/4	3/4	NPT	807902014	F. IRC 34PC NPTF
NIPPLE	3/4	3/4	NPT	807902015	M. IRC 34PC NPTF
COUPLER	1	1	NPT	807902016	F. IRC 100PC NPTF
NIPPLE	1	1	NPT	807902017	M. IRC 100PC NPTF

**IRH BSP THREAD**

COUPLER	3/4	3/4	BSP	807900006	F. IRC 34 BSP
NIPPLE	3/4	3/4	BSP	807900007	M. IRC 34 BSP
COUPLER	1	1	BSP	807900008	F. IRC 100 BSP

NIPPLE	1	1	BSP	807900009	M. IRC 100 BSP
<b>IRH BSP THREAD – CONNECT UNDER PRESSURE VALVE</b>					
COUPLER	3/4	3/4	BSP	807900014	F. IRC 34PC BSP
NIPPLE	3/4	3/4	BSP	807900015	M. IRC 34PC BSP



## ADDITIONAL INFORMATION

<b>Port Options</b>	<u>BSP, NPT</u>
<b>Port Size</b>	<u>1/4", 3/8", 1/2", 3/4", 1"</u>
<b>Valve Style</b>	<u>Poppet</u>
<b>Working Pressure</b>	<u>Up to 5000</u>
<b>Material</b>	<u>Carbon</u>

## Related products

•



## **IRB | IRBO | IRBX SERIES**

The **IRB Series Quick Couplings** are interchangeable to ISO B standard (ISO 7241-B). The IRB is offered in three different high quality materials to meet different application challenges—IRB carbon steel with Nitrile seals, IRBO brass with Viton seals, and IRBX 316 stainless steel with Viton seals. The entire series features compact design, AISI 302 stainless steel springs, and PTFE anti-extrusion rings.

[Read more](#)

•



## **AG INTERCHANGE IR | IRV | IRS SERIES**

**The Agriculture IR Series Hydraulic Quick Couplings** offer automatic shut-off during disconnection. The IR features a variety of connection mechanisms: ball (IR), poppet (IRV), push pull (IRS) or push pull sleeve connectable under residual pressure (IRS PC). Poppet or flat-face are recommended for new applications.

[Read more](#)



## **BM3 PLATE SERIES**

The **BM3 Series of Multi-Coupling Plates** allows the simultaneous couple and uncouple of two large diameter hydraulic lines with a single, simple movement requiring very little force. The system eliminates crossing of lines, reducing downtime and insuring couplers are fully connected. The auto-locking system insures that lines are connected safely and provides secondary retention of the connection.

[Read more](#)





## **VEPHDL SERIES**

**The VEPHDL Series Heavy-Duty Locking Flat Face Coupler** is the ultimate failsafe solution for the most demanding hydraulic applications. This locking female version is interchangeable with standard VEPHD series flat face thread-to-connect heavy duty couplers and features a visual connection indicator for foolproof connection, every time.

[Read more](#)