



SH SERIES

The **SH Series H-IH Interchange Coupling** features a simple-to-use, compact design constructed in carbon steel with zinc plating. The poppet valve with elastomer seal provides maximum sealing of the couplings when disconnected, to meet a variety of general purpose needs across various applications.

Category: [Poppet Interchange Couplers](#) Tags: [Industry: Industrial](#), [Industry: Mobile](#), [Industry: Oil & Gas](#)

- [Description](#)
- [Quick Specs](#)

DESCRIPTION

FEATURES

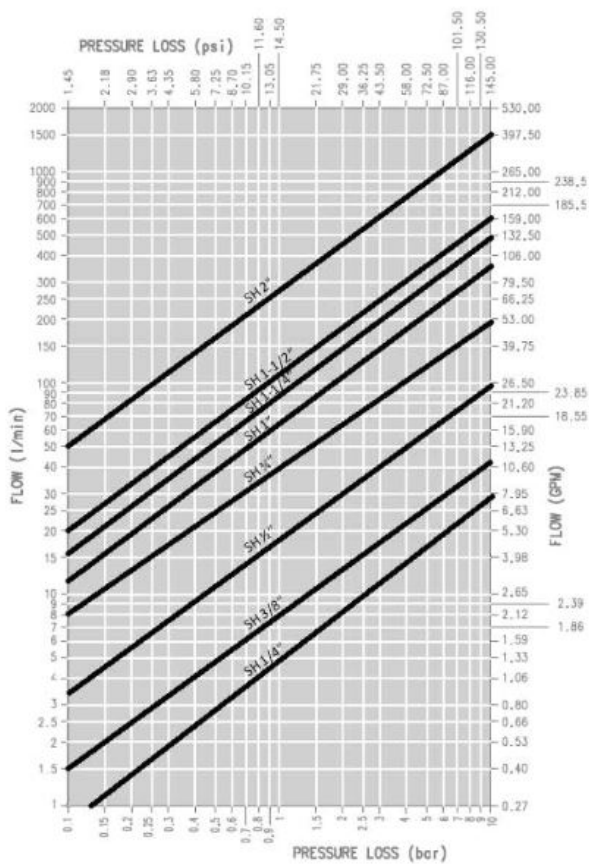
- Size range: 1/4" thru 2"
- Port options: NPT
- Interchanges with Snap-Tite H, Faster TNV, Dixon V
- Working pressure: 19-35 MPa/2755-5075 psi range
- Simple-to-use, compact design
- Machined components from high-strength steel
- PTFE anti-extrusion ring to protect seal components

APPLICATIONS

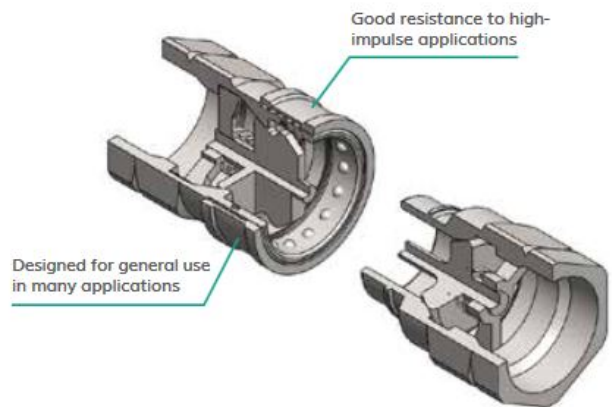
- General purpose coupler used across various applications
- Anywhere high resistance to impulse pressures is needed



Size Diagram



OIL = ISO VG32, TEMP = 32°C, VISCOSITY = 21.0 - 28.0MM²/S

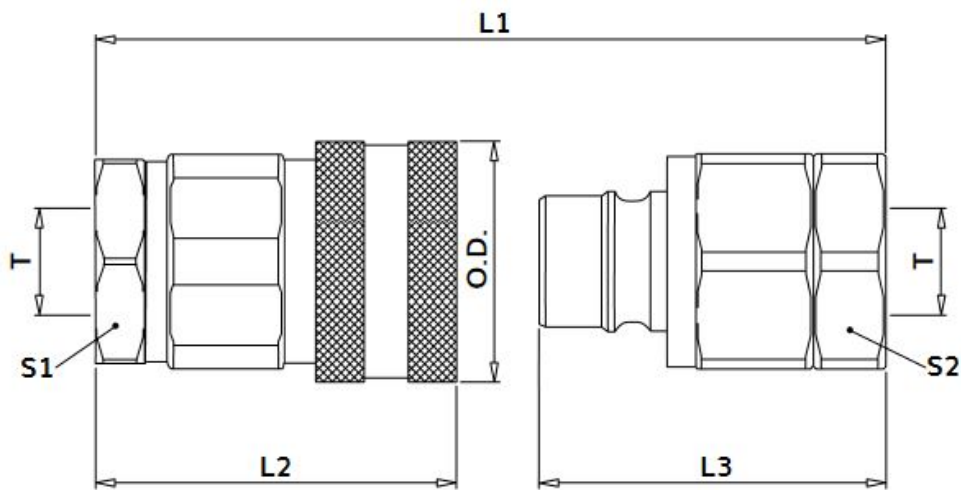


Performance

1/4	6.3	35	12	151	21895	176	25520	145	21025	

3/8	10	35	23	147	21315	152	22040	159	23055
1/2	12.5	25	45	100	14500	146	21170	124	17980
3/4	20	25	106	90	13050	153	22185	104	15080
1	25	20	189	130	18850	96	13920	130	18850
1 1/4	31.5	20	288	114	16530	85	12325	109	15805
1 1/2	40	19	379	81	11745	79	11455	82	11890
2	50	19	757	65	9425	96	13920	110	15950

Size Diagram



BODY SIZE	ISO	L1	L2	L3	OD	S1	S2	T
1/4	6.3	70.3	44	41.3	24	22	22	1/4 NPT
3/8	10	78.5	49.4	47	27	26	26	3/8 NPT
1/2	12.5	87.3	53.5	51	34	30	30	1/2 NPT
3/4	20	104	63	62	42	38	38	3/4 NPT
1	25	112.5	68.3	66.8	50.5	48	48	1 NPT
1 1/4	31.5	156.5	91	88	56	50	50	1 1/4 NPT
1 1/2	40	148.2	90	85.6	70	64	64	1 1/2 NPT
2	50	171	105	99	90	89	89	2 NPT

SH Series NPT Thread H-IH Interchange

PART	BODY SIZE	PORT SIZE	THREAD TYPE	ORDER CODE	DESCRIPTION
COUPLER	1/4	1/4	NPT	SH-04-04C-NPT	F. SH 1/4 NPT
NIPPLE	1/4	1/4	NPT	SH-04-04N-NPT	M. SH 1/4 NPT
COUPLER	3/8	3/8	NPT	SH-06-06C-NPT	F. SH 3/8 NPT
NIPPLE	3/8	3/8	NPT	SH-06-06N-NPT	M. SH 3/8 NPT
COUPLER	1/2	1/2	NPT	SH-08-08C-NPT	F. SH 1/2 NPT
NIPPLE	1/2	1/2	NPT	SH-08-08N-NPT	M. SH 1/2 NPT
COUPLER	3/4	3/4	NPT	SH-12-12C-NPT	F. SH 3/4 NPT
NIPPLE	3/4	3/4	NPT	SH-12-12N-NPT	M. SH 3/4 NPT
COUPLER	1	1	NPT	SH-16-16C-NPT	F. SH 1 NPT
NIPPLE	1	1	NPT	SH-16-16N-NPT	M. SH 1 NPT
COUPLER	1 1/4	1 1/4	NPT	SH-20-20C-NPT	F. SH 1 1/4 NPT
NIPPLE	1 1/4	1 1/4	NPT	SH-20-20N-NPT	M. SH 1 1/4 NPT
COUPLER	1 1/2	1 1/2	NPT	SH-24-24C-NPT	F. SH 1 1/2 NPT
NIPPLE	1 1/2	1 1/2	NPT	SH-24-24N-NPT	M. SH 1 1/2 NPT
COUPLER	2	2	NPT	SH-32-32C-NPT	F. SH 2 NPT
NIPPLE	2	2	NPT	SH-32-32N-NPT	M. SH 2 NPT

SH Series Accessories Coupler Dust Plug | Nipple Dust Cap

SIZE	ISO	ORDER CODE FEMALE DUST PLUG	ORDER CODE MALE DUST CAP	COLOR	MATERIAL
1/4	6.3	KSS-04F-PVC	KSS-04M-PVC	BLACK	PLASTIC
3/8	10	KSS-06F-PVC	KSS-06M-PVC	BLACK	PLASTIC
1/2	12.5	KSS-08F-PVC	KSS-08M-PVC	BLACK	PLASTIC
3/4	20	KSS-12F-PVC	KSS-12M-PVC	BLACK	PLASTIC
1	25	KSS-16F-PVC	KSS-16M-PVC	BLACK	PLASTIC

ADDITIONAL INFORMATION

Material	<u>Carbon</u>
Port Options	<u>NPT</u>
Port Size	<u>1/4", 3/8", 1/2", 3/4", 1", 1 1/4", 1 1/2", 2"</u>
Valve Style	<u>Poppet</u>
Working Pressure	<u>Up to 5000</u>

Related products

•



GR PLATE SERIES

The GR Series of Multi-Coupling Plates allows the simultaneous couple and uncouple of two to ten hydraulic and/or electrical lines with a single, simple movement requiring very little force. The circuit lines can all have the same nominal coupler diameter and different media or different size couplers. A dust cap is supplied, and options include: an electrical connector for low voltage requirements and a parking station. Watch this quick video on [How to Connect and Disconnect Hydraulic and Electrical Lines using the GR Series of Multi-Coupling Plates.](#)

[Read more](#)

•



WING STYLE SERIES

The Wing Style Series Rugged Wing Nut provides reliable service wherever a coupling is required to connect under pressure with minimum spillage and air inclusion.

[Read more](#)



VP SERIES

The VP Series Auto-Lock Sleeve Flat Face Coupler is the most popular solution for high residual pressure. With an auto-lock sleeve and the ability to connect/disconnect with high residual pressure, the VP series provides positive secondary retention in hydraulic circuit applications subject to high pressure impulses and circuits which experience high residual or trapped pressure in a line.

[Read more](#)

•



VOF SERIES

The VOF Series Threaded Poppet Couplers provide high resistance to pressure impulses, in a compact design. The VOF's internal parts are designed to reduce turbulence and pressure drop, and its poppet valve with elastomer seal provides maximum sealing of the couplings when disconnected. A wrench flat on the bodies facilitates the fitting assembly, and the retainer is high resistance carbon steel.

[Read more](#)