



SATURN BLOCK SERIES

The **Saturn Block** allows for easy connection/disconnection with residual pressure, with a user-friendly relief system that drains the residual pressure before connection and disconnection, for connection without pressure or effort to reduce injury risk. The Saturn Block is a direct field replacement for other connect under pressure systems.

Categories: [Skid Steer Hydraulic Couplers](#), [Specialty Coupling](#) Tags: [Industry: Agricultural](#), [Industry: Mobile](#)

-
- [Description](#)
 - [Quick Specs](#)

DESCRIPTION

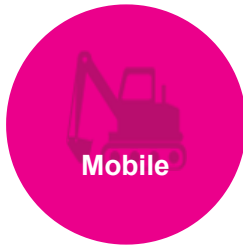
FEATURES

- Size range: 1/2" thru 3/4"
- Interchangeable with ISO 16028 parts: couplings size 1/2, 5/8, and 3/4 inch, and drain line size 3/8 or 1/2 inch male
- Flat face push-to-connect couplings
- Connection/disconnection with residual pressure, after draining the pressure with the knob

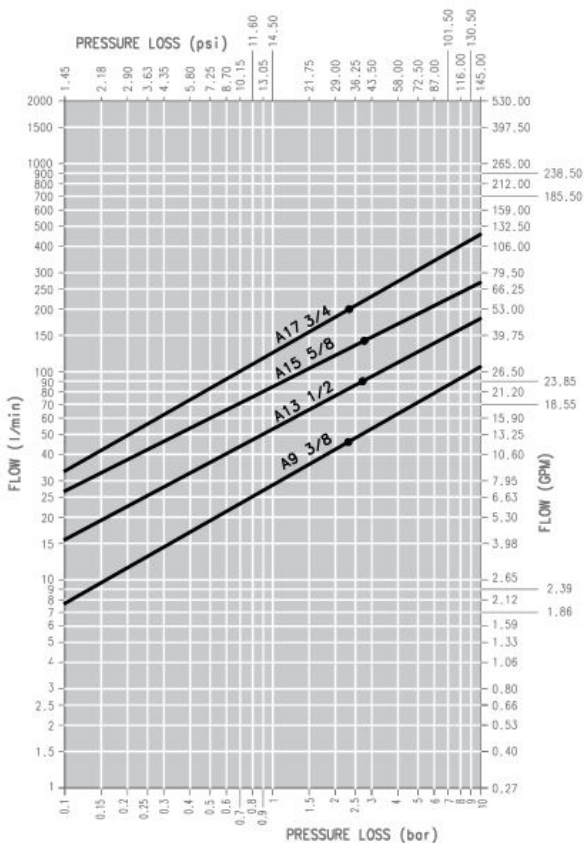
- Threads available: 3/4 JIC for pressure lines, 3/8 SAE for drain line, others on request
- Cr(III) zinc plated surface, seals: NBR or POM; anti-extrusion rings: PTFE

APPLICATIONS

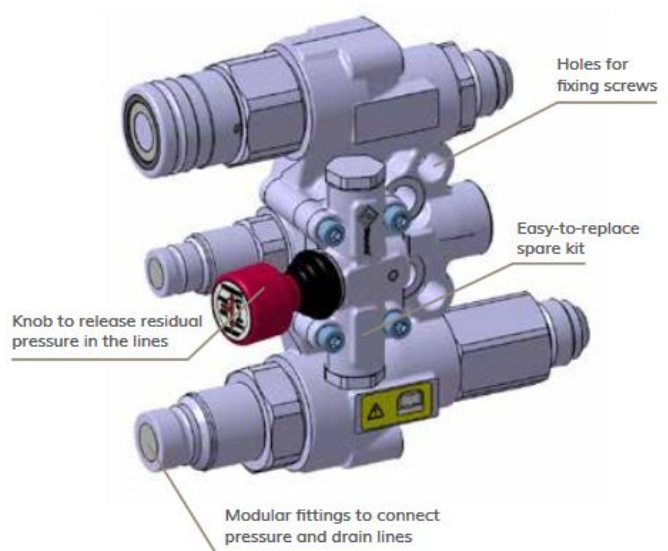
- Mobile construction equipment
- Skid steers
- Excavators and mini-excavators



Pressure Drop



OIL = ISO VG32, TEMP = 40C, VISCOSITY = 28.8-35.2 MM²/S

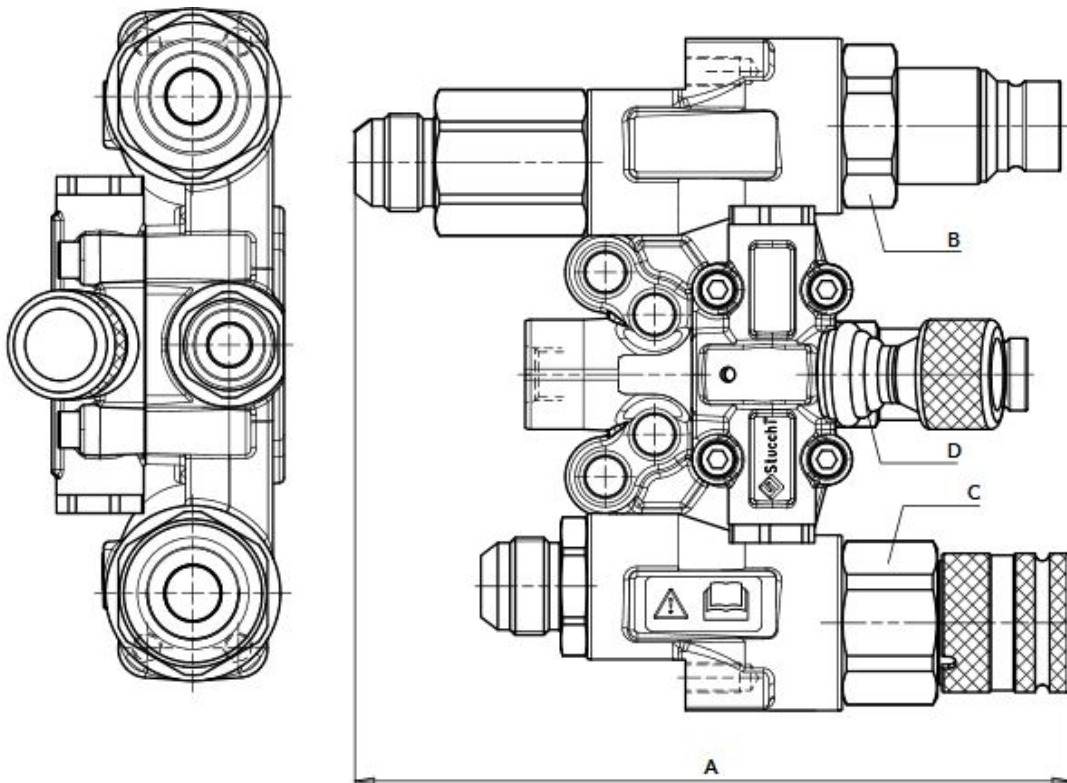


Performance

DESCRIPTION	SIZE	MAX. OPERATING PRESSURE		MAX. RESIDUAL PRESSURE DURING CONNECTION		SPILLAGE*
		MPa	psi	MPa	psi	ml
SATURN BLOCK 13	1/2	35	5075	25	3625	0.020
SATURN BLOCK 15	5/8	35	5075	25	3625	0.026
SATURN BLOCK 17	3/4	35	5075	25	3625	0.032

* Spillage is an indicative value of the fluid loss per couple-uncouple cycle.

Size Diagram



DESCRIPTION	ORDER CODE	BODYSIZE	UNIT	A	B	C	D	UP
SATURN BLOCK 13	808800102	1/2	mm	196.8	41	41	27	DN 12.5
			inch	7.75	1.61	1.61	1.06	1/2
SATURN BLOCK 15	808800103	5/8	mm	203.7	41	41	27	DN 16

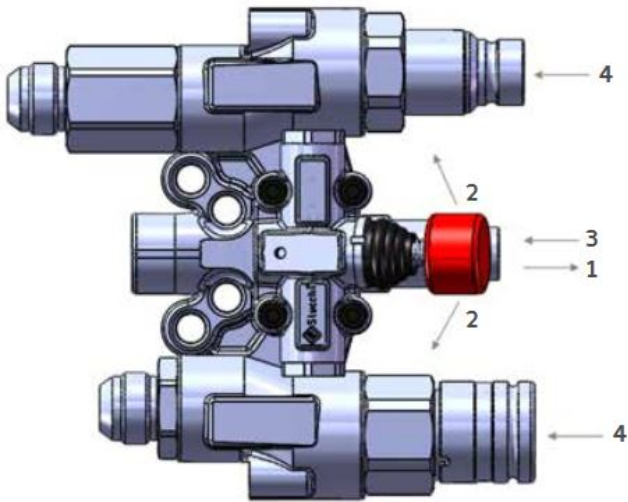
			inch	8.02	1.61	1.61	1.06	5/8
SATURN BLOCK 17	808800104	3/4	mm	224	46	46	32	DN 19
			inch	8.82	1.81	1.81	1.26	3/4

Order Codes

SATURN BLOCK 13	808800102	1/2	3/8
SATURN BLOCK 15	808800103	5/8	3/8
SATURN BLOCK 17	808800104	3/4	1/2
SATURN BLOCK 17	808800105	3/4	3/8

* Use "R" suffix to reverse positions of coupler and nipple in the Saturn Block.

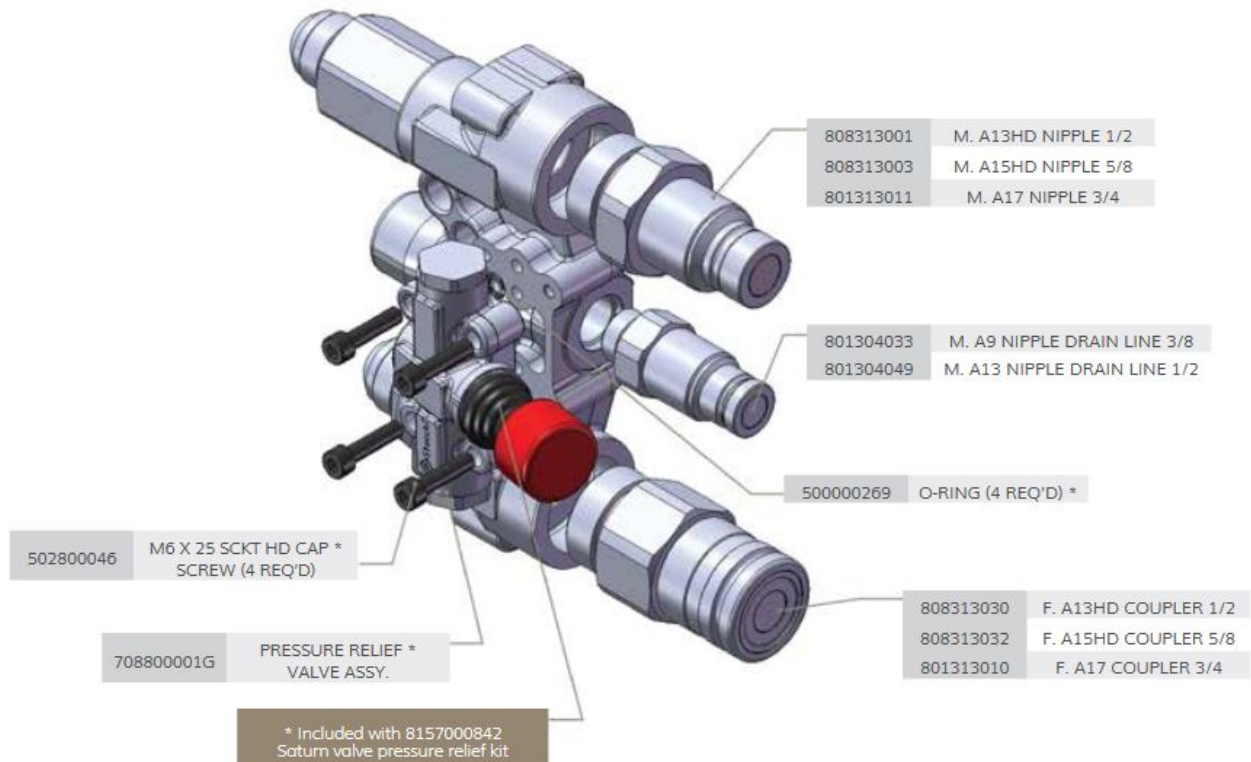
COUPLER	808313030	F. A13HD COUPLER
NIPPLE	808313001	M. A13HD NIPPLE
COUPLER	808313032	F. A15HD COUPLER
NIPPLE	808313003	M. A15HD NIPPLE
COUPLER	801313010	F. A17 COUPLER
NIPPLE	801313011	M. A17 NIPPLE
COUPLER	801304033	M. A9 NIPPLE DRAIN LINE
NIPPLE	801304049	M. A13 NIPPLE DRAIN LINE
VALVE KIT	815700852	SATURN VALVE RELIEF KIT *



How to Operate the Pressure Relief Valve on the Saturn Block

1. Pull out red knob on pressure relief valve
2. Pull red knob up/down to relieve pressure
3. Release red knob, allowing it return to starting position
4. Insert coupler/nipple into the Saturn Block

Replacement Parts List



ADDITIONAL INFORMATION

Body Size	<u>1/2"</u> , <u>5/8"</u> , <u>3/4"</u>
Material	<u>Carbon</u>
Port Options	<u>JIC</u> , <u>SAE</u>

Valve Style	<u>Flat Face</u>
Port Size	<u>1/2", 5/8", 3/4"</u>
Working Pressure	<u>Below 350, Up to 5000</u>

Related products

•



AG INTERCHANGE IR | IRV | IRS SERIES

The Agriculture IR Series Hydraulic Quick Couplings offer automatic shut-off during disconnection. The IR features a variety of connection mechanisms: ball (IR), poppet (IRV), push pull (IRS) or push pull sleeve connectable under residual pressure (IRS PC). Poppet or flat-face are recommended for new applications.

[Read more](#)

-



Dust Caps & Repair Kits

Protective caps and plugs are useful accessories that prevent damaging dust, water or mud from entering the quick couplings, thus lengthening their working lives. Repair kits are available upon request.

[Read more](#)

•



VEPHD SERIES

The VEPHD (Heavy Duty) Series offers the same features of the VEP series, with upgraded material, a yellow o-ring visual ID, and larger mating areas. Like the VEP, the VEPHD is a popular solution for hydraulic circuit applications subject to high pressure impulses and circuits which experience high residual or trapped pressure in a line, offered in a more durable, higher grade of steel and all QPQ plating for increased longevity.

[Read more](#)

•



IRC SERIES

The IRC Series Interchange Coupler, commonly referred to as a Nordic interchange, offers a safety sleeve to prevent accidental disconnection and a poppet valve with elastomer seal to provide maximum sealing of the couplings once disconnected. Standard poppet and pressure eliminator poppet available. Connection under residual pressure is allowed in male or female; counterpart side should be without pressure.

[Read more](#)