



PPC Series

The PPC Series (Push-Pull Coupler) is built on the A Premier platform, featuring breakaway capabilities that engage when the coupler is unintentionally left coupled, preventing leakage and damage. Its clamp fixture is designed to be mounted to the structure; when pulled apart in line with the coupler, the PPC coupler will break away. For mobile applications: the APM series nipple is recommended with this series.

Category: [Flat Face Couplers](#) Tags: [Industry: Aerospace](#), [Industry: Industrial](#), [Industry: Mobile](#)

-
- [Description](#)
 - [Quick Specs](#)

DESCRIPTION

Features

- Size range: 3/8" thru 3/4"
- Port options: NPT, SAE
- Interchanges with ISO 16028
- Simple, easy-to-use push/pull connection
- Breakaway design automatically disconnects in case of accidental disconnection of the hydraulic hose

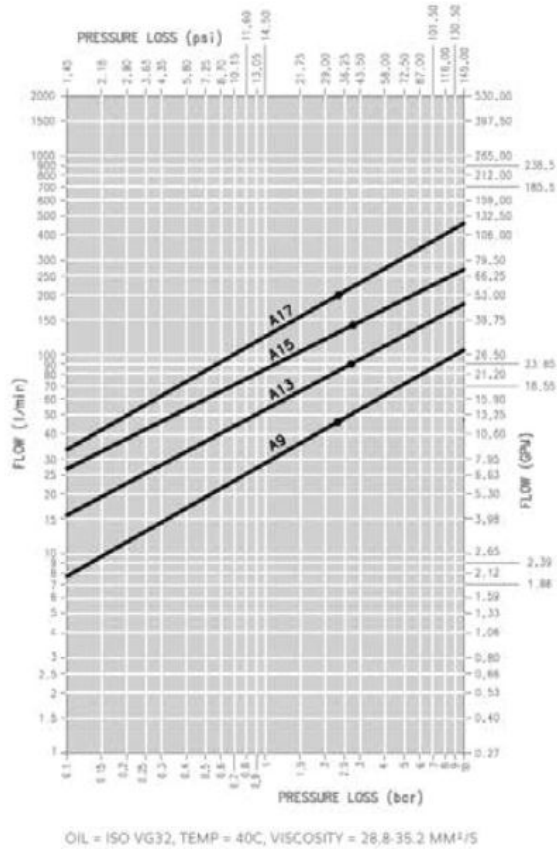
- Prevents leakage and damage

Applications

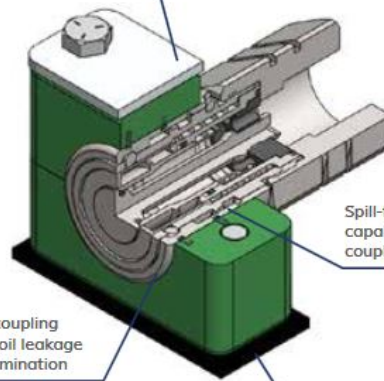
- Refuse compactor/power units and dump trailer connections
- Snow plow equipment
- Agricultural implements



Pressure Drop



Simple design for ease of replacement & maintenance



Spill-free breakaway capabilities if left coupled unintentionally

Flat face coupling to reduce oil leakage and contamination

Robust retention and fixed mounting system

Order Codes

BODY SIZE	PORT SIZE	THREAD TYPE	ORDER CODE	COUPLER	DESCRIPTION
3/8	1/2	SAE	PPC0608FO	A9	PUSH PULL FF 3/8 X 1/2 SAE

BODY SIZE	PORT SIZE	THREAD TYPE	ORDER CODE	COUPLER	DESCRIPTION
1/2	1/2	NPT	PPC0808FP	A13	PUSH PULL FF 1/2 X 1/2 NPT
1/2	3/4	SAE	PPC0812FO	A13	PUSH PULL FF 1/2 X 3/4 SAE
1/2	3/4	NPT	PPC0812FP	A13	PUSH PULL FF 1/2 X 3/4 NPT
5/8	3/4	SAE	PPC1012FO	A15	PUSH PULL FF 5/8 X 3/4 SAE
5/8	3/4	NPT	PPC1012FP	A15	PUSH PULL FF 5/8 X 3/4 NPT
3/4	3/4	NPT	PPC1212FP	A17	PUSH PULL FF 3/4 X 3/4 NPT
3/4	1	NPT	PPC1216FP	A17	PUSH PULL FF 3/4 X 1 NPT

ADDITIONAL INFORMATION

Body Size	<u>1/4", 3/8", 1/2", 5/8", 3/4"</u>
Material	<u>Carbon</u>
Port Options	<u>NPT, SAE</u>
Port Size	<u>1/4", 3/8", 1/2", 5/8", 3/4"</u>
Valve Style	<u>Flat Face</u>
Working Pressure	<u>Up to 5000</u>

Related products

•



IRB | IRBO | IRBX SERIES

The **IRB Series Quick Couplings** are interchangeable to ISO B standard (ISO 7241-B). The IRB is offered in three different high quality materials to meet different application challenges—IRB carbon steel with Nitrile seals, IRBO brass with Viton seals, and IRBX 316 stainless steel with Viton seals. The entire series features compact design, AISI 302 stainless steel springs, and PTFE anti-extrusion rings.

[Read more](#)



VEPHDL SERIES

The VEPHDL Series Heavy-Duty Locking Flat Face Coupler is the ultimate failsafe solution for the most demanding hydraulic applications. This locking female version is interchangeable with standard VEPHD series flat face thread-to-connect heavy duty couplers and features a visual connection indicator for foolproof connection, every time.

[Read more](#)



SV2 PLATE SERIES

The SV2 Series of Multi-Coupling Plates allows the simultaneous couple and uncouple of two large diameter hydraulic lines with a single, simple movement requiring very little force. The system eliminates crossing of lines, reducing downtime and insuring couplers are fully connected. The auto-locking system insures that lines are connected safely and provides secondary retention of the connection.

[Read more](#)

-



Dust Caps & Repair Kits

Protective caps and plugs are useful accessories that prevent damaging dust, water or mud from entering the quick couplings, thus lengthening their working lives. Repair kits are available upon request.

[Read more](#)