

### MSE Series Linear Power Supplies

MSE series linear power supplies have been developed specifically for motor drive applications. The output characteristics are ideally suited to stepper and servo motor drive applications. The high voltage units are provided with an auxiliary dc logic supply for use with high voltage drives and associated with motion controllers. In addition, being linear devices means they are excellent in coping with large intermittent loads.

#### Features:

- High power
- High voltage
- Excellent for motor drive applications
- Designed to be mounted in standard 19in x 3U Eurorack
- Linear for increased stability
- Wide range of matched drives and controls enable complete systems to be economically constructed, based on 'in-service proven' technology



#### Electrical Specification:

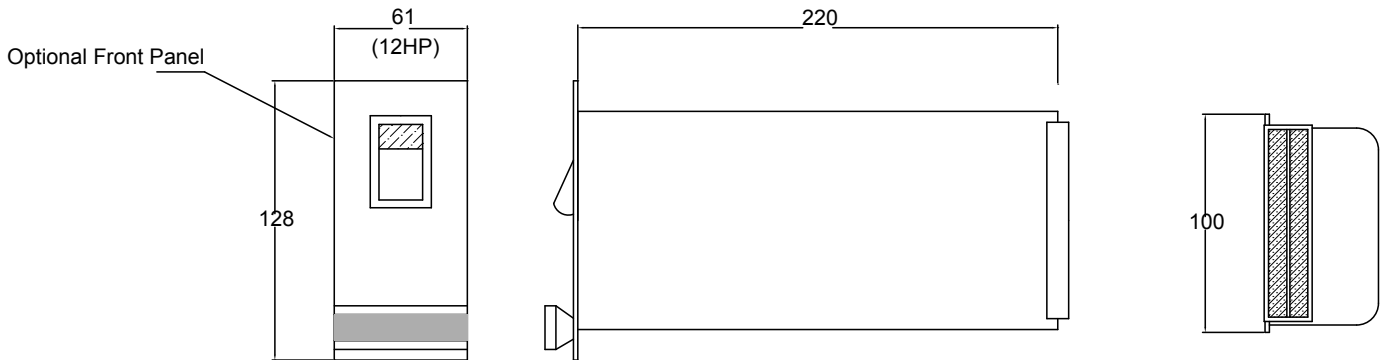
Power Supplies Types	Units	MSE171 PM 171	MSE173 PM 173	MSE174 PM 174 Non- preferred	MSE874 PM 874	MSE175 PM 175 Non- preferred	MSE875 PM 875
Suitable Input Supplies	V AC	110,220,240	110,220,240	110,220,240	115,230	110,220,240	115,230
	Hz	50-60	50-60	50-60	50-60	50-60	50-60
Total Power Capacity	Watts	72	288	380	400	420	570
Output voltage @ no-load	V DC	32	28	54	55	74	83
Output voltage @ full load	V DC	27	24	46	48	66	74
Voltage tolerance	+/-V DC	1.5	1	3	3	3	3
Max peak/peak ripple	V DC	3	2.6	4.8	4.2	4.8	7.6
Full load current	A	3	12	8	8	6	6
Over current capacity for 1 sec	A			16	16		12
<b>Secondary motor Supply</b>							
Output voltage @ no-load	V DC						46
Output voltage @ full load	V DC						40
Voltage tolerance	+/-V DC						3.0
Max peak/peak ripple	V DC						3.8
Full load current	A						8.0
Over current capacity for 1 sec	A						20
Auxiliary Logic Supply	V DC	**	**	18	24	18	24
Logic Supply current rating	A	**	**	2	2	2	2

Note\*\* Use 24 V DC motor rail as req'd.

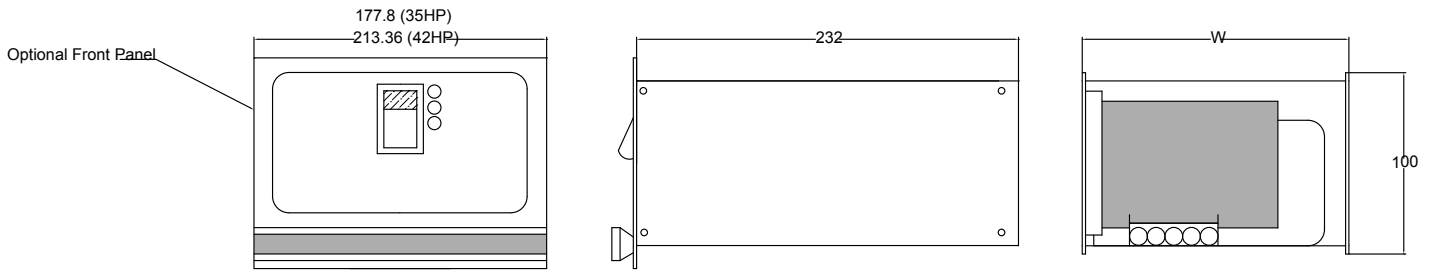


## Mechanical Specification:

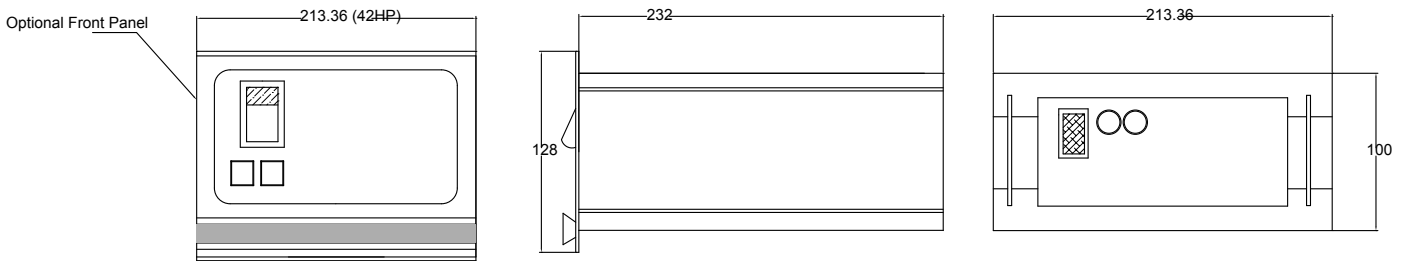
MSE171  
PM171



MSE173 / MSE874 / MSE875  
PM173 / PM874 / PM875



MSE174 / MSE175  
PM174 / PM175



### Racked Power Supplies:

The PM series can be supplied within a 19in. by 3U high racked unit with sufficient space alongside the power supply to fit additional drive and control modules to provide a self contained drive system. Please enquire a member of staff for details.

