

# STEAM TRAPS

Float & Thermostatic (FT-96 Series)



## Technical Specifications

The Sterlco® (Model FT-96) Float & Thermostatic Trap is applicable to all types of steam pressure heating systems. The Model FT-96 traps' purpose is to move air and water while preventing steam from entering return piping. These traps are manufactured in seven models for handling capacities of 1,500 to 54,000 lbs. of condensate per hour and operate efficiently with pressures up to 60 lbs.

Model FT-96-10-125HC also handles capacities of 20,000 to 150,000 lbs. of condensate per hour and operating pressures up to 125 lbs.

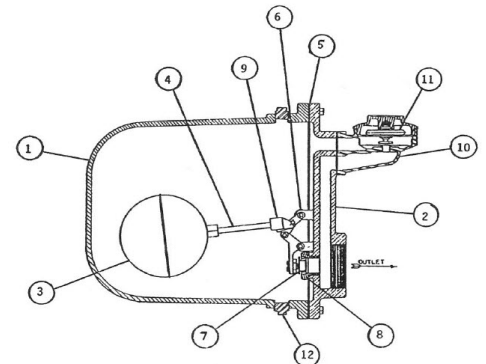
## Features

### Standard Features

- **Simple, rugged construction.** This Sterlco® trap is a mechanically simple and durable combination of a float and thermostatic trap. All working parts are made of non-corrosive metals especially adapted for this service.
- **Sensitive thermostatic action.** Charging the thermostatic disc under high vacuum assures sensitive and positive response to temperature and pressure over entire operating range. Disc corrugations are shaped to reduce hinge action at the rim of the disc and evenly distribute disc motion.
- **Instantaneous valve action.** Design of the float valve assembly permits rapid and positive valve action. Location of the valve assures a deep water seal at all times.
- **Continuous rapid flow of water.** A lever operated discharge valve opens wide so that large volumes of water can flow continuously from trap.
- **Thorough testing.** In addition to tests made of the completed trap, each thermostatic disc is tested before it is assembled into the trap.
- **Minimum maintenance.** All working parts may be inspected, removed or repaired without disturbing piping. Clean-out plug permits easy flushing of dirt.

### List of Materials

ID	Part	Material
1	Body	Cast Iron
2	Cap	Cast Iron
3	Float Ball	Stainless Steel
4	Rod	Brass
5	Gasket	Non-asbestos Fiber
6	Pins	Stainless Steel
7	Valve	SST & Brass
8	Seat	SST & Brass
9	Linkage	SST & Brass
10	Thermo Trap	Cast Brass
11	Thermo Disc	SST & Brass
12	Plug, cleanout	Steel

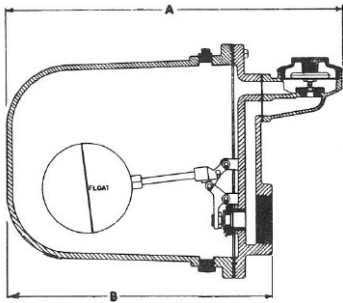


## Capacities

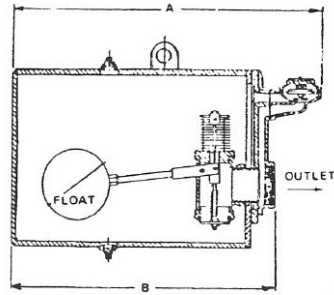
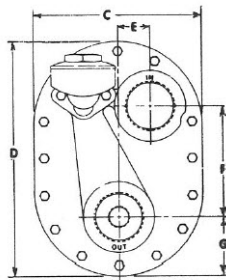
Model	NPT		Pressure Differential (PSI) Lbs. Condensate Per Hour												
	Size	Orifice	1/4	1/2	1	2	5	10	15	20	25	30	40	50	60
FT96-8-15	2"	.719	2000	3000	4500	7500	10500	13000	15500	-	-	-	-	-	-
FT96-8-15HC	2"	1.032	6400	7500	9300	13000	16500	21000	24000	-	-	-	-	-	-
FT96-8-30HC	2"	.750	2500	3500	5500	8500	11500	14500	17000	19000	20000	21000	-	-	-
FT96-10-15HC	2-1/2"	1.672	16200	18000	22000	30000	38000	45000	49000	51000	52000	54000	-	-	-
FT96-10-30HC	2-1/2"	1.672	16200	18000	22000	30000	38000	45000	49000	51000	52000	54000	-	-	-
FT96-6-60	1-1/2"	.500	1500	2750	3500	4750	6300	7750	9250	10500	12250	12500	13500	14500	15500
FT96-8-60	2"	.500	1500	2750	3500	4750	6300	7750	9250	10500	12250	12500	13500	14500	15500

Capacities given are continuous discharge capacities in pounds of condensate per hour at pressure differential indicated, determined by tests conducted according to ASME Performance Test code 39.1-1980. Apply Safety Factor as required per application. Condensate within 5 degrees of steam temperature.

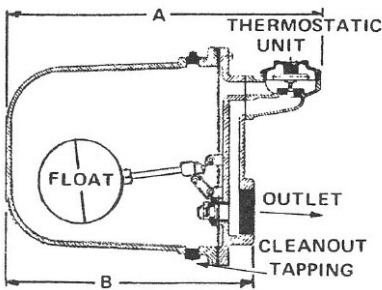
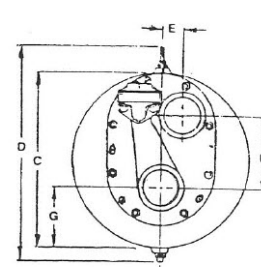
## Product Dimensions



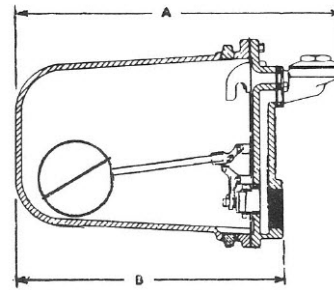
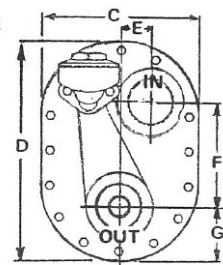
FT96-8-15, FT96-6-60 & FT96-8-60



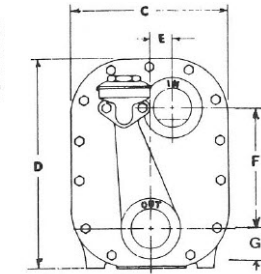
FT96-10-15HC & FT96-10-30HC



FT96-8-15



FT96-8-15HC & FT96-8-30HC



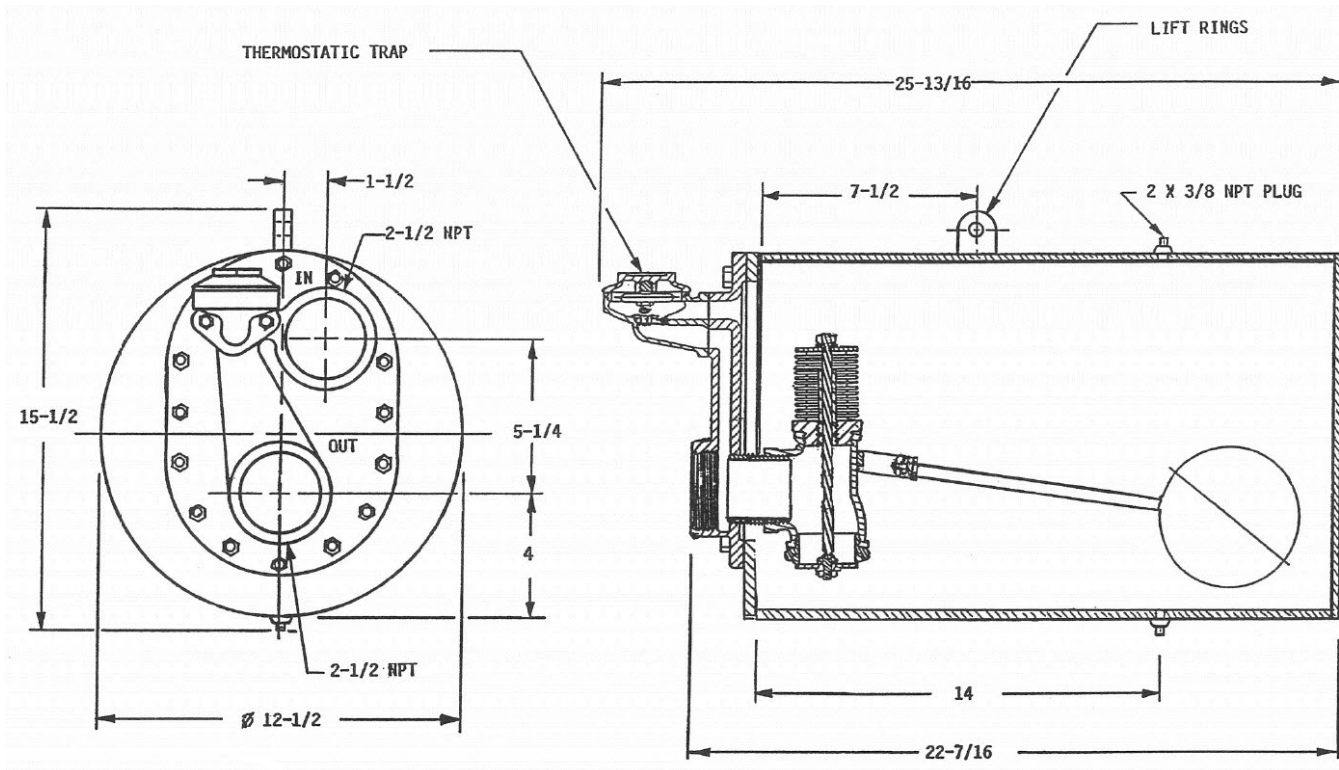
Model	NPT		Dimensions							Ship Weight (lbs.)
	Size	Orifice	A	B	C	D	E	F	G	
FT96-6-60	1-1/2"	.500	15-7/8	12-1/2	7-7/8	11	1-1/2	5-3/8	2-3/4	41
FT96-8-60	2"	.500	15-7/8	12-1/2	7-7/8	11	1-1/2	5-3/8	2-3/4	41
FT96-8-15	2"	.719	15-7/8	12-1/2	7-7/8	11	1-1/2	5-3/8	2-3/4	41
FT96-8-15HC	2"	1.032	18-3/4	15-3/8	9-1/8	12	1-3/8	6-7/8	2-1/4	69
FT96-8-30HC	2"	.750	18-3/4	15-3/8	9-1/8	12	1-3/8	6-7/8	2-1/4	69
FT96-10-15HC	2-1/2"	1.672	23-5/8	20-1/4	12-3/4	15-3/4	1-1/2	5-1/4	4-1/4	95
FT96-10-30HC	2-1/2"	1.672	23-5/8	20-1/4	12-3/4	15-3/4	1-1/2	5-1/4	4-1/4	95

## Capacities

Model	NPT		Pressure Differential (PSI) Lbs. Condensate Per Hour																
	Size	Orifice	1/4	1/2	1	2	5	10	15	20	25	30	40	50	60	75	90	100	125
FT96-10-125HC	2-1/2"	1.953	20000	25000	35000	45000	61000	75000	87000	100000	108000	115000	123000	130000	136000	142000	145000	147000	150000

Capacities given are continuous discharge capacities in pounds of condensate per hour at pressure differential indicated, determined by tests conducted according to ASME Performance Test code 39.1-1980. Apply Safety Factor as required per application. Condensate within 5 degrees of steam temperature.

## Product Dimensions



Meeting the standards of

