



Features

- Dual axis measurement
- Full scale range from $\pm 10^\circ$ to $\pm 60^\circ$
- Solid state MEMS sensor
- 0-5V or 0-10V analogue output for each channel
- Frequency response 1Hz
- Small size, 46 x 39 x 10.5mm
- Sealed to IP67
- PUR cable rated for continuous outdoor use
- Factory configurable to suit most applications



Applications

- Single and dual axis PV Solar Trackers
- Security systems
- Platform levelling and monitoring
- GPS compensation
- Platform scales and weigh bridge levelling
- Agricultural and industrial vehicle tilt monitoring
- Telescopic and scissor lift platform monitoring
- Can be readily customised for most applications

Description

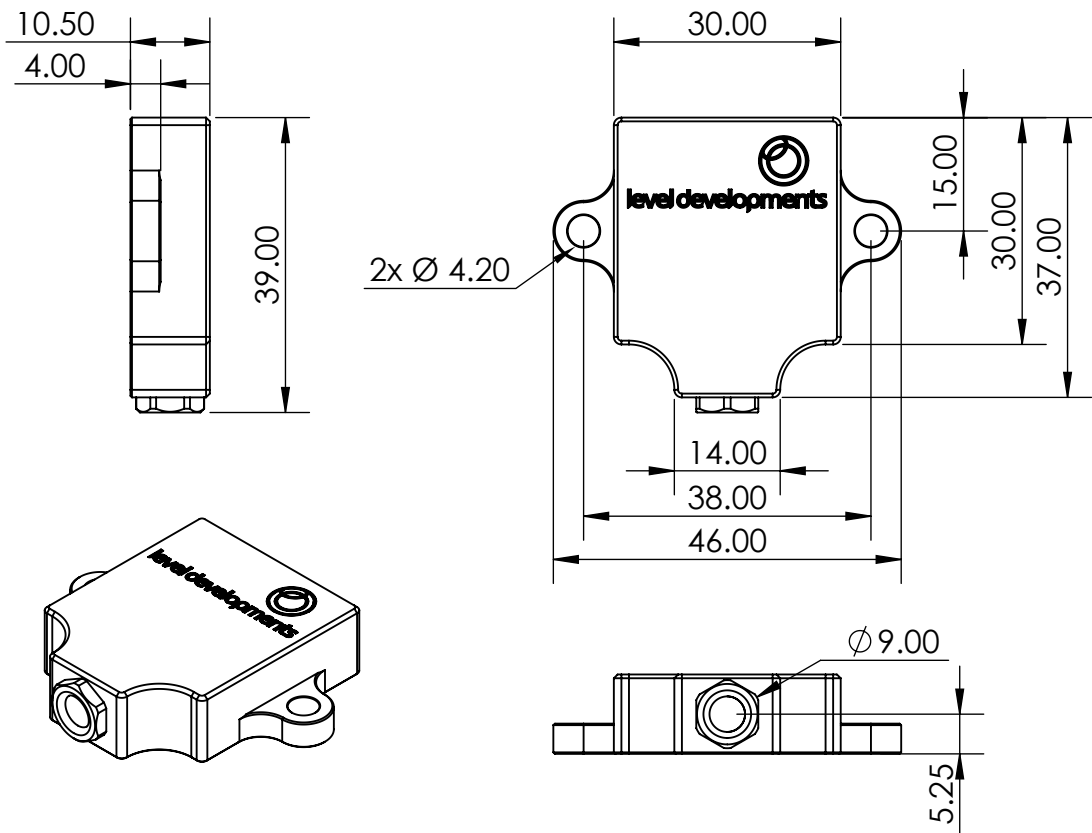
The LCH-A-D is a low cost dual axis inclinometer sensor supplied in a sealed machined Aluminium housing. It has an analogue interface for each of the X and Y measurement axis. A PCB only version is also available (part number LCP-A-D). These devices are manufactured and calibrated in our UK factory to guarantee performance to the stated specification.

Specifications

Parameter	Value	Unit	Notes
Supply Voltage	7-30	V	For 0.5-4.5V analogue output range devices
	12-30	V	For 0.5-9.5V analogue output range devices
			Internal circuit protects from transients and reverse polarity, however use of a low noise DC supply is recommended to ensure the best performance.
Operating Current	15	mA	Maximum value
Output Impedance	100	Ω	
Operating Temperature	-40 to 85	$^\circ\text{C}$	
Size: Width	46.0	mm	
Length	39		
Height	10.5		
Measuring range	± 10 to ± 60	$^\circ$	Full scale measuring range is selected by part numbering (see page 4)
Zero Output Voltage	2.5	V	For 0.5-4.5V analogue output range devices
	5	V	For 0.5-9.5V analogue output range devices
			Nominal output voltage when device is placed on a level surface
Zero Bias Error	± 0.1	$^\circ$	Maximum zero offset angle when unit is placed on a level surface. For optimum zero point accuracy, the mounting angle of the part can be adjusted.
Zero Bias Temperature Error	0.02	$^\circ/\text{C}$	The maximum change in zero position output per $^\circ\text{C}$ of temperature change
Sensitivity Temperature Error	0.01	$\%/^\circ\text{C}$	% Change in sensitivity per $^\circ\text{C}$ of temperature change
Accuracy (20$^\circ\text{C}$)	± 0.3	$^\circ$	The maximum error between the measured and displayed value at any point in the measurement range (up to $\pm 45^\circ$) at room temperature (20 $^\circ\text{C}$)
Accuracy (-10 to 60$^\circ\text{C}$)	± 1	$^\circ$	The maximum error between the measured and displayed value at any point in the measurement range over the specified temperature range
Long Term Stability	0.1	$^\circ$	1 year stability when device is powered continuously at 20 $^\circ\text{C}$
Resolution (@1Hz BW)	0.05	$^\circ$	Smallest measurable change in output
Frequency Response	1	Hz	Frequency at which the output is -3dB from input. Filter is 2 pole, and can be factory set to different values on request.
Mechanical shock	3000 (0.5ms)	g	Shock survival limit for MEMS sensor.
Cable Length	2	m	Other lengths available on request
Weight	24	g	Not including cable

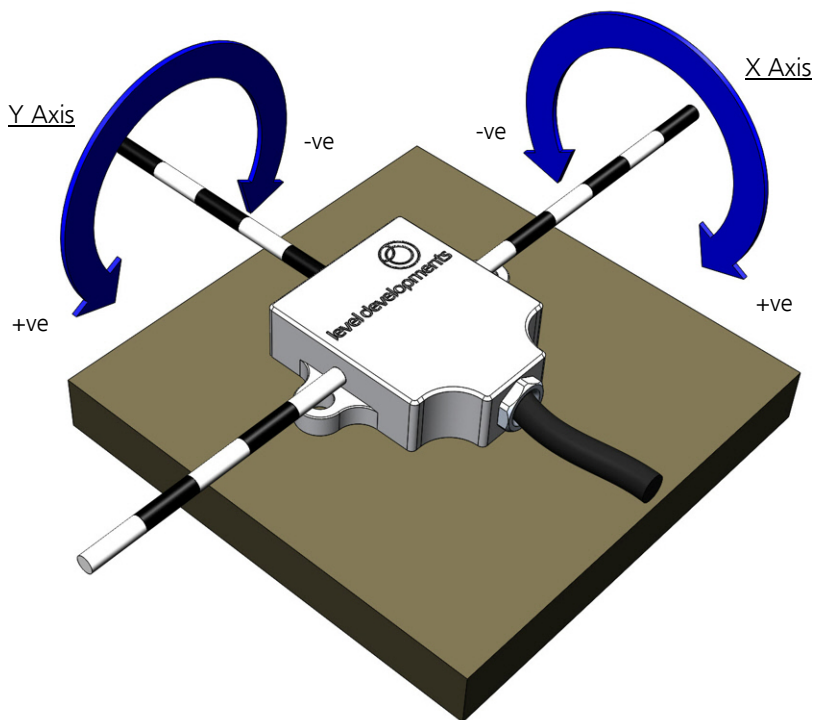


Dimension Drawing



Axis Direction and Mounting Orientation For Dual Axis Use

Mounted on Horizontal Surface





Voltage Output Change With Angle

All inclinometers measure a change in the effect of the gravitational field on a proof mass to derive angle. As the inclinometer sensor is rotated, the sensing element is subject to gravitational forces which move the proof mass, and this movement is detected and measured. In this inclinometer there are two sensing elements mounted perpendicular to one another so that the device can measure both the X and Y axis simultaneously. Internally these two sensors are measured and a processor derives the angular position. This angle is then converted to a voltage which is linear with the change in angle. In this device there are two output voltage stages, one for each of the measurement axis. As the angle is varied over the full scale range the output voltage changes between 0.5 to 4.5V or 0.5 to 9.5V depending on the product option (see page 5).

Angle = (Vout - Voffset) x 1000 / SF

Where

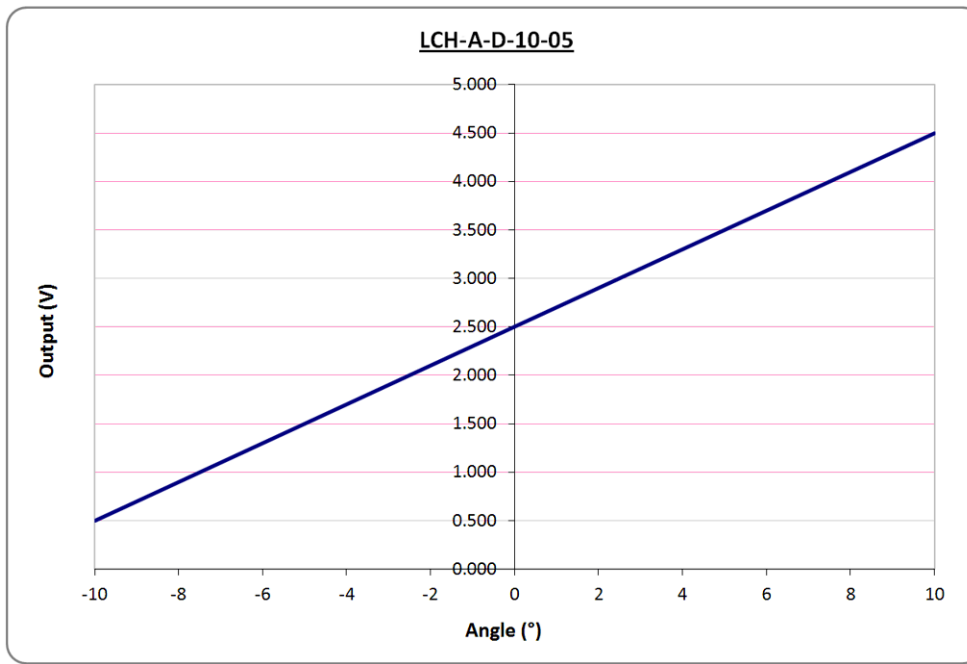
Vout is the measured voltage from the X or Y axis inclinometer output.

Voffset is the voltage at a 0° which is 2.5V (see table)

SF is the Scale Factor in mV per degree (see table)

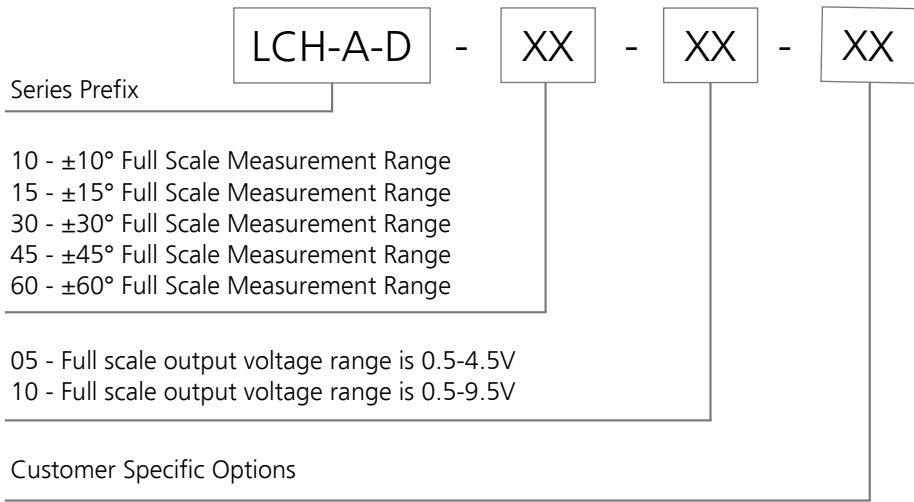
Table with 4 columns: Part Number, Description, Scale Factor (SF), Zero Output (Voffset). It lists various part numbers and their corresponding scale factors and zero outputs.

Example Graph Of Output (±10° Full Scale Range with 0.5 to 4.5V Output Range)





Part Numbering



Example:

LCH-A-D-30-10

LCH-A-D Series Inclinometer
±30° Full Scale Measurement Range
0.5 to 9.5V full scale output

Product Options

1. Output Voltage range can be factory modified to suit most requirements
2. Output Voltage can be factory modified to be a Sine function of angle.
3. Standard cable length is 2m, others are available on request.
4. Frequency response can be factory adjusted between 0.125 and 32Hz
5. Axis Orientation and directions can be factory modified.
6. Cable can be pre-assembled with mating connector for customers application.

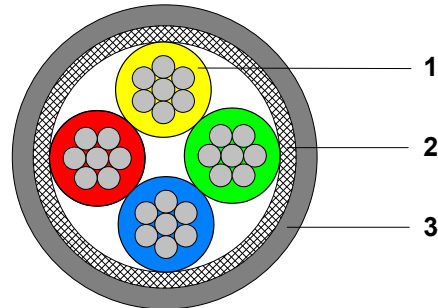
Special order versions are generally only available for volume orders or ongoing requirements.



Connection Details

Standard cable is 2m long. Cables can be supplied in any length up to 100m.

1. Core wires, tin plated copper, 18x0.1mm strands per conductor (26 AWG). 4 conductors, colours red, blue, yellow and green with PVC core insulation.
2. Braided screen of tin copper wire with minimum 85% coverage.
3. Black PUR (Polyurethane) Solar jacket. Flame retardant, reduced smoke generation, zero halogen, excellent for use in water and oil, good for use in acids and fuels, radiation tolerance: 10E6 Gy, UV stable, suitable for continuous outdoor use.



Parameter	Value	Unit	Notes
Approximate Weight	35	g/m	
Operating Temperature	-40 to 85	°C	Static operation
Conductor Resistance	100	Ω/Km	Maximum resistance
Insulation Resistance	1500	MΩ/Km	Minimum resistance
Test Voltage	1.5	KV DC	
Voltage Rating	440	V	
Core Current Rating	1	A	At 40°C air temperature
Individual Core Diameter	1.1	mm	
Overall Diameter	4.6	mm	

Internal Wire Colour	Function
Red	+ve Supply
Blue	Ground
Yellow	X Axis Vout
Green	Y Axis Vout

Certification

The products are type approved to in accordance with the following directive(s):

EMC Directive 2004/108/EC



And it has been designed, manufactured and tested to the following specifications:

BS EN61326-1:2006

Electrical equipment for measurement, control and laboratory use – EMC Requirements

BS EN55011:2007, Group 1 Class B