

# Signal Tower ML 70

Signalling device for indoor and outdoor application



## Overview

The ML 70 Signal Tower has a wide range of modules and accessories, which allows it to be used in nearly every environment where a distinct identification e.g. of machine states is required.

The light elements provide an ingress protection of IP 65 so that they can be used even in humid rooms or in outdoor facilities.

The signal tower is assembled using a quick-lock system with integrated contact system. The modules are simply plugged onto the tower and locked in place by turning the ring.

Like this, the different modules may easily be combined to a complete signal tower with different signalling elements.

The electrical connection of the individual modules is automatically established via internal contacts.

## Features

- Combinations of up to 5 modules possible
- Modules with continuous light, blinking light, strobe light or acoustics
- Combined optical-acoustic modules
- Impact-resistant polycarbonate caps
- 6 cap colours
- Piezo module up to 107 dB(A)
- Electronic sounder with 15 sounds
- Horizontal or vertical mounting
- Optical modules with light bulb or LED as light source
- Ingress protection IP 65
- NEMA 4, 4X, 13

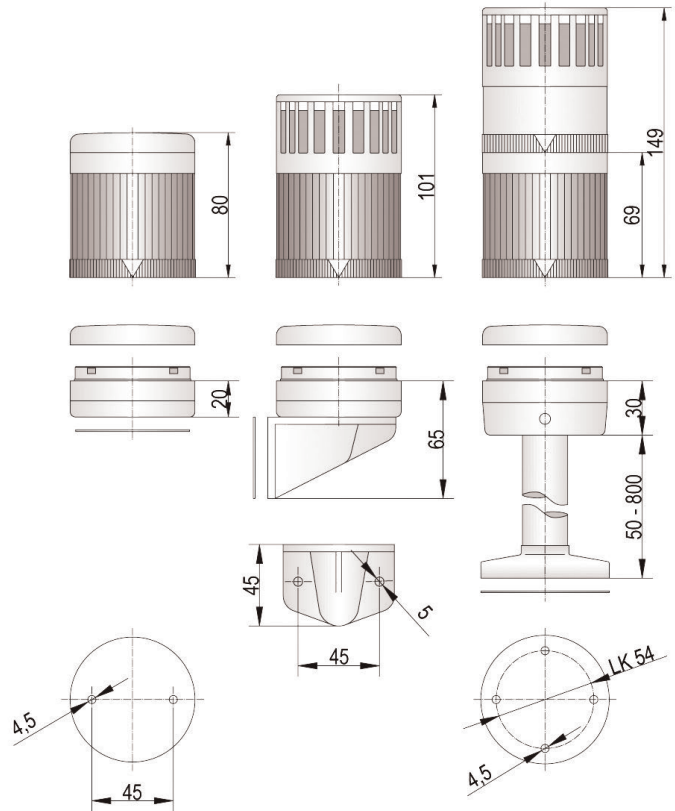
# EATON

Powering Business Worldwide

## Specifications

Housing	Impact-resistant polycarbonate
Colour	6 cap colours selectable
Light source	Light bulb or LED
Ingress protection	IP 65 according to EN 60529
Operation modes	Moduls with continuous light, blinking light, strobe light or acoustics
Betriebsbedingungen	Indoors and outdoors
Operating conditions	Horizontal or vertical
Temperature range	-25 °C to +50 °C

## General arrangement drawing (all dimensions in mm)



## Ordering data

Type	Designation	Nominal voltage	Colour	Art. No.
ML 70	Connecting element wall/angle installation			FHF 228 503 10
ML 70	Continuous light module	up to 230 VAC	clear	FHF 228 603 01
ML 70	Continuous light module	up to 230 VAC	red	FHF 228 603 02
ML 70	Continuous light module	up to 230 VAC	orange	FHF 228 603 03
ML 70	Continuous light module	up to 230 VAC	green	FHF 228 603 04
ML 70	Continuous light module	up to 230 VAC	blue	FHF 228 603 05
ML 70	Continuous light module	up to 230 VAC	amber	FHF 228 603 06
ML 70	Connecting element floor installation			FHF 228 603 10
ML 70	Blinking light module	12-24 VAC/DC	clear	FHF 228 604 01
ML 70	Blinking light module	12-24 VAC/DC	red	FHF 228 604 02
ML 70	Blinking light module	12-24 VAC/DC	orange	FHF 228 604 03
ML 70	Blinking light module	12-24 VAC/DC	green	FHF 228 604 04
ML 70	Blinking light module	12-24 VAC/DC	blue	FHF 228 604 05
ML 70	Blinking light module	12-24 VAC/DC	amber	FHF 228 604 06
ML 70	Blinking light module	230 VAC	clear	FHF 228 605 01
ML 70	Blinking light module	230 VAC	red	FHF 228 605 02
ML 70	Blinking light module	230 VAC	orange	FHF 228 605 03
ML 70	Blinking light module	230 VAC	green	FHF 228 605 04
ML 70	Blinking light module	230 VAC	blue	FHF 228 605 05
ML 70	Blinking light module	230 VAC	amber	FHF 228 605 06
ML 70	Flashing light module	12-24 VAC/DC	clear	FHF 228 606 01
ML 70	Flashing light module	12-24 VAC/DC	red	FHF 228 606 02
ML 70	Flashing light module	12-24 VAC/DC	orange	FHF 228 606 03
ML 70	Flashing light module	12-24 VAC/DC	green	FHF 228 606 04
ML 70	Flashing light module	12-24 VAC/DC	blue	FHF 228 606 05
ML 70	Flashing light module	12-24 VAC/DC	amber	FHF 228 606 06
ML 70	Flashing light module	230 VAC	clear	FHF 228 607 01
ML 70	Flashing light module	230 VAC	red	FHF 228 607 02
ML 70	Flashing light module	230 VAC	orange	FHF 228 607 03
ML 70	Flashing light module	230 VAC	green	FHF 228 607 04
ML 70	Flashing light module	230 VAC	blue	FHF 228 607 05
ML 70	Flashing light module	230 VAC	amber	FHF 228 607 06
ML 70	Connecting element with 100 mm tube and foot			FHF 228 608 02
ML 70	Connecting element with 250 mm tube and foot			FHF 228 608 05
ML 70	Sounder module	230/240 VAC		FHF 228 609 02
ML 70	Sounder module	12/24 VAC/DC		FHF 228 609 03
ML 70	Sounder module	110/120 VAC		FHF 228 609 04
ML 70	Combi module	24 VAC/DC	red	FHF 228 610 02
ML 70	Combi module	24 VAC/DC	orange	FHF 228 610 03
ML 70	Piezo buzzer module	24 VAC/DC		FHF 228 611 01
ML 70	Piezo buzzer module	230/240 VAC		FHF 228 611 02
ML 70	Piezo buzzer module	110/120 VAC		FHF 228 611 03
ML 70	Combi module	230/240 VAC	red	FHF 228 614 02
ML 70	Combi module	230 VAC	orange	FHF 228 614 03
ML 70	Tube 50 mm for ML 70			FHF 228 629 100
ML 70	LED permanent bulb	230 VAC	clear	FHF 229 073 01
ML 70	LED permanent bulb	230 VAC	red	FHF 229 073 02
ML 70	LED permanent bulb	230 VAC	orange	FHF 229 073 03
ML 70	LED permanent bulb	230 VAC	green	FHF 229 073 04
ML 70	LED permanent bulb	230 VAC	blue	FHF 229 073 05
ML 70	LED permanent bulb	230 VAC	amber	FHF 229 073 060
ML 70	LED permanent bulb	24 VAC/DC	clear	FHF 229 133 01
ML 70	LED permanent bulb	24 VAC/DC	red	FHF 229 133 02
ML 70	LED permanent bulb	24 VAC/DC	orange	FHF 229 133 03
ML 70	LED permanent bulb	24 VAC/DC	green	FHF 229 133 04
ML 70	LED permanent bulb	24 VAC/DC	blue	FHF 229 133 05
ML 70	LED permanent bulb	24 VAC/DC	amber	FHF 229 133 06