



SERIES SBLT2 & SBLTX | MERCOID SUBMERSIBLE LEVEL TRANSMITTERS



SBLT2



SBLTX
(ATEX option available)

NOW WITH 72 HOUR
OUT OF STOCK LEAD TIME!

FEATURES/BENEFITS

- Slim design for tight applications with bullet nose, which protects the diaphragm from damage
- Incorporates lightning and surge protection utilizing dual arrestor technology, grounded to case, eliminating both power supply surges and lightning ground strike transients (surge protection is not guaranteed and is not covered by warranty) on SBLT2 models
- Maintenance free filter eliminates particulate or water droplets from entering and damaging the transducer
- UL approved intrinsically safe on SBLTX models for use in hazardous locations when used with proper barrier
- Excellent chemical compatibility for wide application use
- NPT connection allows the unit to be rigidly installed in a pipe/conduit, or the addition of a A-625 hanging loop for attaching a chain for pulling out of the installation
- Standard 72 hour lead time ensures minimal downtime

APPLICATIONS

- Air economizers
- Outdoor temperature and relative humidity reference for building systems
- Well monitoring
- Ground water monitoring
- Environmental remediation
- Surface water monitoring
- Down hole
- Water tanks

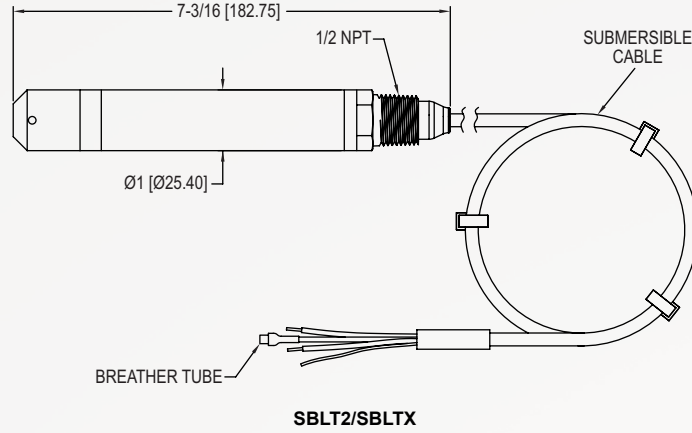
DESCRIPTION

The **Series SBLT2 & SBLTX Submersible Level Transmitters** are manufactured for years of trouble free service. These series measure the height of liquid above the position in the tank referenced to atmospheric pressure. The transmitter consists of a piezoresistive sensing element, encased in a 316 SS housing.

SPECIFICATIONS

Service	Compatible liquids.
Wetted Materials	Body: 316 SS, 316 L SS; Bullet nose: PVC; Cable: Polyether polyurethane or ETFE; Seals: Fluoroelastomer.
Accuracy	±0.25% FS*.
Temperature Limit	SBLT2: Polyurethane: 0 to 150°F (-18 to 66°C); ETFE: 0 to 200°F (-18 to 93°C); SBLTX: ETFE: -4 to 176°F (-20 to 80°C); Polyurethane: -4 to 149°F (-20 to 65°C).
Compensated Temperature Range	SBLT2: 0 to 140°F (-18 to 60°C); SBLTX: 0 to 176°F (-18 to 80°C).
Thermal Effect	±0.02% FS/°F.
Pressure Limit	2X FS.
Power Requirement	SBLT2: 10-30 VDC; SBLTX: 10-28 VDC.
Output Signal	4-20 mA DC, 2-wire.
Response Time	50 ms.
Max. Loop Resistance	900 Ω at 30 VDC.
Electrical Connection	Wire pigtail.
Mounting Orientation	Suspended in tank below level being measured.
Electrical Protection	SBLT2: Lightning and surge protection; SBLTX: None.
Weight	2.2 lb (1.0 kg).
Agency Approvals	SBLT2: CE; SBLTX: CE, cULus intrinsically safe for Class I, Div. 1, Groups A, B, C, D; Class II, Div. 1, Groups E, F, G; Class III Div. 1; ATEX: II 1 G Ex ia IIC T4 Ga and II 1 D Ex ia IIIC T135C Da (according to control drawing 001833-43)**.
*Configured ranges below 5 psi (11.54 ft w.c.) (3.52 m w.c.) ±1% FS accuracy.	
**Up to 275' (83.8 m) for ETFE cable; Up to 470' (143.3 m) for polyurethane cable.	

DIMENSIONS



HOW TO ORDER

Use the **bold** characters from the chart below to construct a product code.

	SBLT2	-5	-40	-ETFE	-P1	
<p>SERIES</p> <p>SBLT2: Submersible level transmitter SBLTX: Submersible level transmitter (intrinsically safe)</p> <p>*RANGE psi (ft w.c.) [m w.c.]</p> <p>-5: 5 (11.54) [3.52] -10: 10 (23.09) [7.04] -15: 15 (34.63) [10.56] -20: 20 (46.18) [14.08] -3.5M: 4.97 (11.48) [3.5] -5M: 7.11 (16.40) [5] -10M: 14.21 (32.81) [10]</p> <p><small>*Additional pressure ranges available, consult factory</small></p>						<p>OPTIONS</p> <p>-ATEX: ATEX intrinsically safe -P1: 1/4" NPT male -P2: 1/4" NPT female -P3: 1/4" BSPT male ISO 228 R -P4: 1/4" BSPT female ISO 228 RC -P11: 3/4" clean-out type</p> <p>CABLE TYPE</p> <p>BLANK: Polyurethane -ETFE: ETFE</p> <p>**CABLE LENGTH ft (m)</p> <p>-40: 40 (12.2) -60: 60 (18.3) -5M: 16.40 (5) -10M: 32.81 (10) -18M: 59.06 (18)</p> <p><small>**Configured cable lengths available from 10 to 2000 ft (3 to 610 m)</small></p>

ACCESSORIES

Model	Description
A-297	Dessicant filter for vent tube. Removes humidity for protection of the sensor. Changes color to show saturation
A-625	316 SS cable hanger for attaching chain for easy pulling out of application
MTL5041	Intrinsically safe galvanic isolator
MTL7706	Intrinsically safe zener barrier

ORDER ONLINE TODAY!

dwyer-inst.com/Product/SeriesSBLT2_SBLTX



DWYER INSTRUMENTS, INC.