

HORIZONTAL CYLINDRICAL CLOSED TANK for underground installation **REF: CHC**

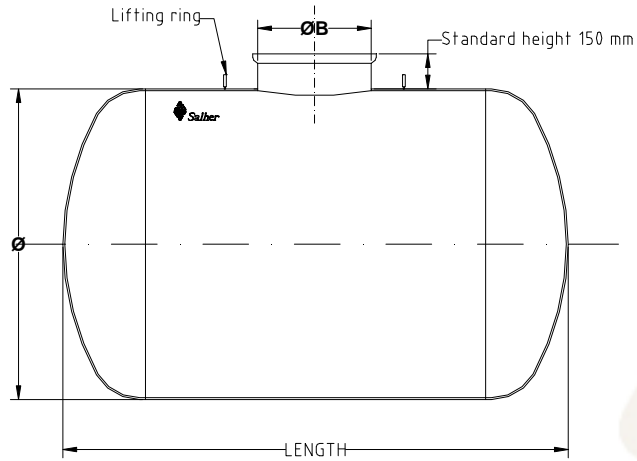
Application:

- Water storage

Characteristics:

- Salher brand, model CHC.
- Manufactured in Glass Fiber Reinforced Polyester (GFRP) with orthophthalic resins.
- Cylindrical shape with flat base and open top (Korboggen type).
- Cover manufactured in GFRP. Optional: **cast iron cover** and extension manhole (heavy traffic and pedestrians).
- Optional: PVC **flanges**. Please provide us with number of plugs, diameter and location.
- **Other tank diameters** available.
- These tanks are designed for an underground installation with a maximal depth of 1000 mm. For any other depth, please consult us.
- Optional: **supports** for above-ground installation.





CAPACITY [liters]	Ø [mm]	LENGTH [mm]	SUPPORTS NUMBER
1.000	1.000	1.470	2
1.500	1.200	1.560	2
2.000	1.200	2.007	2
2.500	1.400	1.905	2
3.000	1.400	2.230	2
4.000	1.400	2.880	2
5.000	1.700	2.540	2
6.000	1.700	2.980	2
7.000	1.700	3.420	2
8.000	1.700	3.860	2
9.000	1.700	4.300	2
10.000	2.000	3.580	2
11.000	2.000	3.890	2
12.000	2.000	4.214	2
13.000	2.000	4.530	2
14.000	2.000	4.850	2
15.000	2.000	5.170	2
20.000	2.000	6.760	4
24.000	2.500	5.380	4
25.000	2.500	5.590	4
30.000	2.500	6.600	4
35.000	2.500	7.610	4
40.000	2.500	8.640	4
45.000	2.500	9.660	6
50.000	2.500	10.680	6
60.000	2.500	12.710	6
70.000	3.000	10.500	CONSULT US
80.000	3.000	11.900	""
90.000	3.500	10.040	""
100.000	3.500	11.077	""
110.000	3.500	12.120	""
120.000	3.500	13.160	""
130.000	3.500	14.200	""
140.000	3.500	15.240	""
150.000	4.000	12.625	""

7

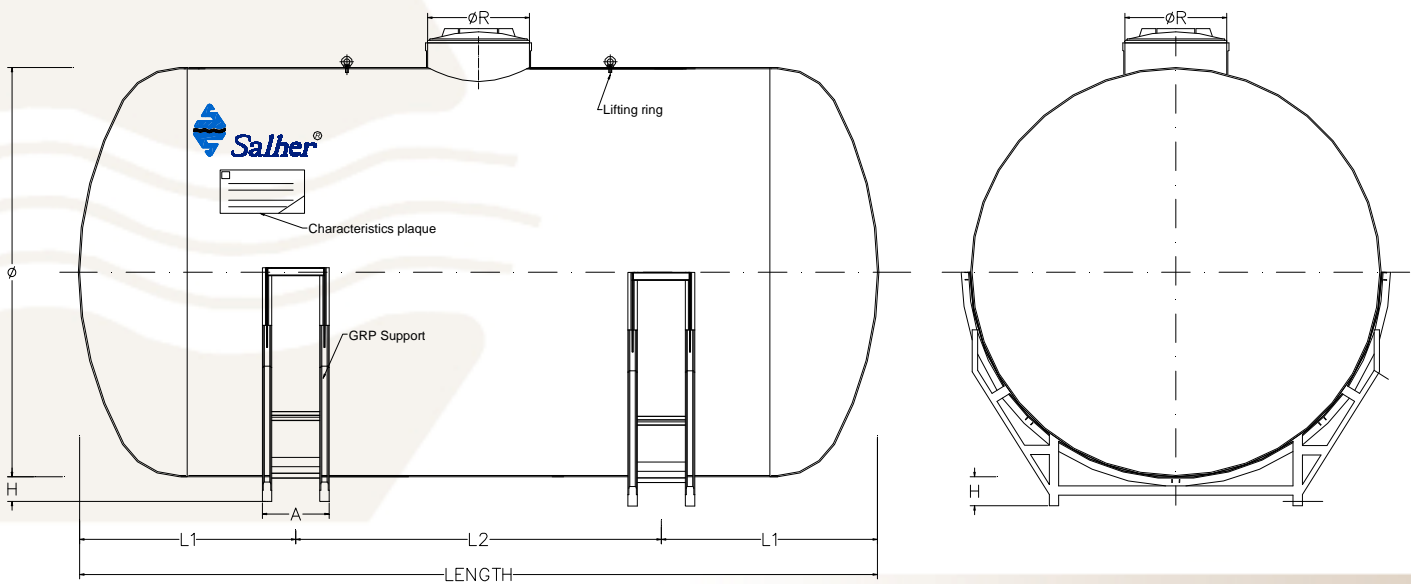
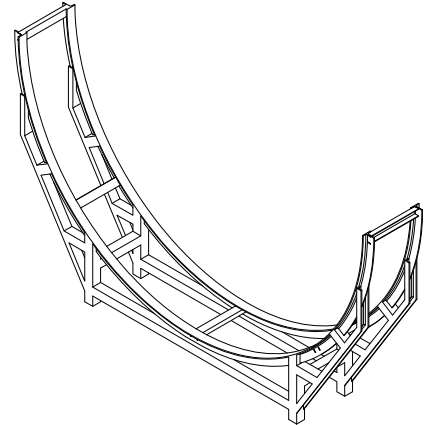
SUPPORTS FOR HORIZONTAL CYLINDRICAL CLOSED TANKS (MODEL CHC) REF: SO-CU

Application:

- Support structure for equipments with cylindrical and horizontal disposition for above-ground installation.

Characteristics:

- Manufactured in Glass Fiber Reinforced Polyester (GFRP) with orthophthalic resins or A 42b laminate steel according to NBE-EA-95/S 275 JR and UNE-EN 10025 Standards for structural applications.



DIAMETER [mm]	A [mm]	H [mm]	MATERIAL
1.000	180	150	PRFV
1.200	180	150	PRFV
1.400	227	190	PRFV
1.700	262	190	STEEL
2.000	318	210	STEEL
2.250	347	210	STEEL
2.500	380	210	STEEL
3.000	450	250	STEEL
3.500	500	250	STEEL
4.000	560	250	STEEL