

FEATURES

- The "NAMUR" style spool valve comes with threaded port connection and Namur interface, while the "THREADED" style spool valve comes with threaded port connection.
- All the exhaust ports of this spool valve are connectable, providing better environmental protection, particularly recommended for sensitive areas such as clean rooms as well as applications in the pharmaceutical and food processing sectors
- The valve offers environmental protection against the ingress of liquids, dusts or any other foreign matters (environmentally-protected construction)

GENERAL

Differential pressure 2 - 10 bar [1 bar = 100 kPa]

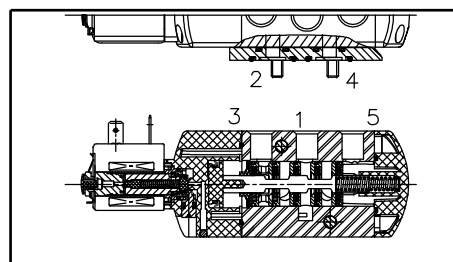
Flow (Qv at 6 bar) 1100 l/min (ANR)

Fluids (*)	Temperature Range (TS)	Sealings (*)
air, inert gas, filtered	- 10°C to + 60°C	NBR (nitrile) + PUR (polyurethane)

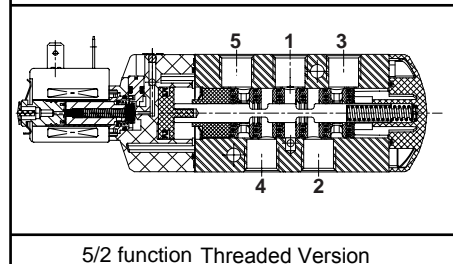
MATERIALS IN CONTACT WITH FLUID

(*) Ensure that the compatibility of the fluids in contact with the materials is verified

Body	Aluminium, black anodized
End cover (spring)	Glass-filled PA
Internal parts	Zamak, stainless steel, (POM), aluminium
Sealings	NBR+PUR
Core and plugnut	Stainless steel
Shading coil	Copper



3/2 NC & 5/2 function Namur Version



5/2 function Threaded Version

SPECIFICATIONS

Pipe Size	Orifice Size	Flow Coefficient Kv		Operating Pressure Differential (bar)			Power Level	Prefix Optional Solenoids		Basic Catalog Number
				Min.	Max. (PS)			ATEX / IECEx / NEPSI	IP65	
					Air					
(G)	(mm)	(m³/h)	(l/min)	AC	DC	AC/DC	PV	SC		
NAMUR 3/2 NC - 5/2 - Solenoid air pilot operated - spring return (Single Solenoid)										
1/4	6	0.95	15.5	2	10	10	RP	-	●	XG531D001 MS ⁽¹⁾
1/4	6	0.95	15.5	2	10	10	MP	●	-	G531D001 MS
NAMUR 3/2 NC - 5/2 - Solenoid air pilot operated - spring return (Double Solenoid)										
1/4	6	0.95	15.5	2	10	10	RP	-	●	XG531D002 MS ⁽¹⁾
1/4	6	0.95	15.5	2	10	10	MP	●	-	G531D002 MS
THREADED 5/2 - Solenoid air pilot operated - spring return (Single Solenoid)										
1/4	6	0.95	15.5	2	10	10	RP	-	●	XG531B017 MS ⁽¹⁾
1/4	6	0.95	15.5	2	10	10	MP	●	-	G531B017 MS
THREADED 5/2 - Solenoid air pilot operated (Double Solenoid)										
1/4	6	0.95	15.5	2	10	10	RP	-	●	XG531B018 MS ⁽¹⁾
1/4	6	0.95	15.5	2	10	10	MP	●	-	G531B018 MS

RP - Reduced Power, MP - Medium Power ⁽¹⁾ When ordering please include TPL 24017: Coil with epoxy material ● Available feature - Not available

ORDERING EXAMPLES:

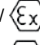
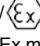
	SC X G531 D001 MS TPL 24017	230V/50Hz
	SC X G531 D002 MS TPL 24017	230V/50Hz
	PV G531 B017 MS	24V/DC
	PV G531 B018 MO	24V/DC
Prefix	_____	_____
Basic Number	_____	_____
		Voltage

EXPLANATION OF TEMPERATURE RANGES OF SOLENOID VALVES

Valve temperature range	The valve temperature range is determined by the selected seal material, the temperature range for proper operation of the valve and sometimes by the fluid (e.g. steam)
Operator ambient temperature range	The operator ambient temperature range is determined by the selected power level (LP, RP, MP or BP) and the ATEX safety code
Total temperature range	The temperature range of the complete solenoid valve is determined by the limitations of both temperature range above

ELECTRICAL CHARACTERISTICS

Coil insulation class	F
Electrical safety	IEC 335
Standard voltages	DC 24V - 48V
(Other voltages and 60 Hz available on request)	AC 24V - 48V - 115V - 230V/50Hz

Prefix Option	Coil Type	Nominal Power Rating				Operator Ambient Temperature Range (TS) (°C)	Safety Code	Electrical Enclosure Protection (EN60529)	Replacement Coil		Type ⁽¹⁾
		Inrush AC (VA)	Holding AC (VA)	Hot/Cold DC (W)	Hot/Cold DC (W)				AC	DC	
Medium Power (MP)											
PV	-	9	5	4	3.0/4.0	-40 to +60	IECEX /  II 2 G Ex mb II T6.. T3 IECEX /  II 2 Ex mD 21 IP67 T85.. T200 NEPSI Ex mb II T3 - T5	Moulded IP67	- ⁽²⁾	- ⁽²⁾	02 / 04
Reduced Power (RP)											
SC	CM22	6	3.5	2.5	2.5/3.0	-10 to +60	EN60730	Moulded IP65	43004886	43004869	01 / 03

(1) Refer to the dimensional drawings (2) Multiple coil kits available under ATEX, contact US

ELECTRICAL CONNECTIONS


Prefix	Connection
SC	Spade plug connector with cable gland DIN 43650, 11mm, industry standard B, for cables with an outer diameter from 6 to 8 mm (Type 01 / 03)
PV	Moulded - in cable, standard length 2m (Type 02 / 04)

ADDITIONAL OPTIONS

- Other pipe threads are available on request
- Plug with visual indication and peak voltage suppression or with cable length of 2m, SC preix only (Consult ASCO NUMATICS Offices)
- Moulded-in cable, standard length 2m (Type 02 /04)

INSTALLATION

- Installation/maintenance instructions are included with each valve
- The solenoid valves can be mounted in any position without affecting operation
- Spool valve supplied with two interface plates with NAMUR mating surfaces. Depending on function (NC 3/2 or 5/2), position one of the two plates on the spool valve body before installing onto actuator
- It is necessary to connect pipes or fittings to the exhaust ports to protect the internal parts of the spool valve and its pneumatic operator if used outside or in harsh environments (dusts, liquids, etc.)
- Dowel pin (if necessary), bolts and gaskets are standard supplied
- Threaded pipe connection identifier is: 8 = NPT (ANSI 1.20.3); G = G (ISO 228/1)

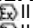
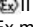
DIMENSIONS (mm), WEIGHT (Kg) 

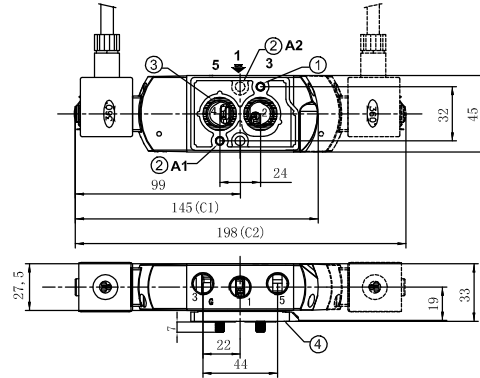
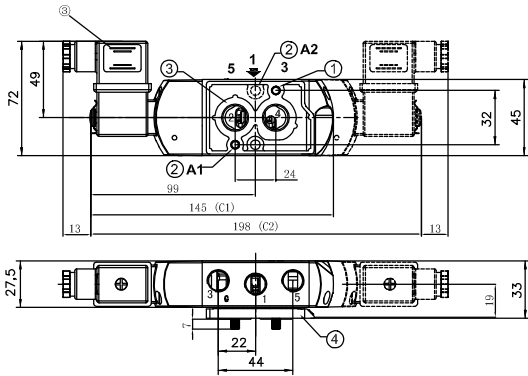
SERIES 531 NAMUR 3/2 - 5/2 WAY



TYPE 01: Prefix SC
Moulded IP65
 Reduced power
 IEC 335 / DIN 43650
G531D001 MS / G531D002 MS



TYPE 02: Prefix PV
 IECEx /  II 2 G Ex mb II T6 .. T3
 IECEx /  II 2 Ex mD 21 IP67 T85 .. T200
 NEPSI Ex mb II T3 – T5
 Medium power
 Epoxy moulded
 EN60079– 18 and EN 61241-18
G531D001 MS / G531D002 MS



(C1): monostable
 (C2): bistable
 Port 1, 3 and 5: G1/4

2 mounting holes:

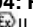

- ① 5.3 mm dia. (Spotfacing: 9 mm dia., depth 5 mm)
- ② One 5 mm dia. hole for dowel pin:
 - in position A1: 3/2 NC function plate
 - in position A2: 5/2 function plate
- ③ 2 O-ring seals (supplied)
- ④ Interface plate

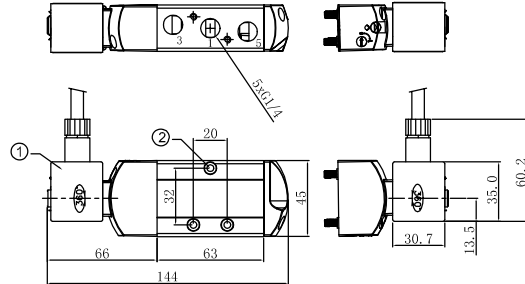
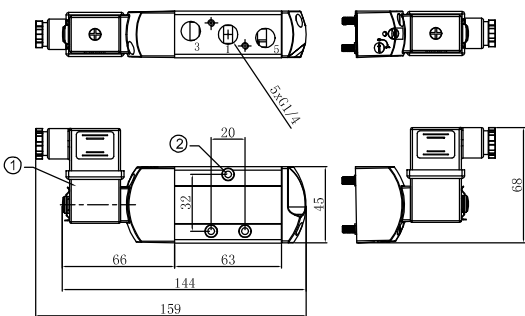
SERIES 531 THREADED 5/2 WAY



TYPE 03: Prefix SC
Moulded IP65
 Reduced power
 IEC 335 / DIN 43650
G531B017 MS / G531B018 MS



TYPE 04: Prefix PV
 IECEx /  II 2 G Ex mb II T6 .. T3
 IECEx /  II 2 Ex mD 21 IP67 T85 .. T200
 NEPSI Ex mb II T3 – T5
 Medium power
 Epoxy moulded
 EN60079-18 and EN 61241-18
G531B017 MS / G531B018 MS

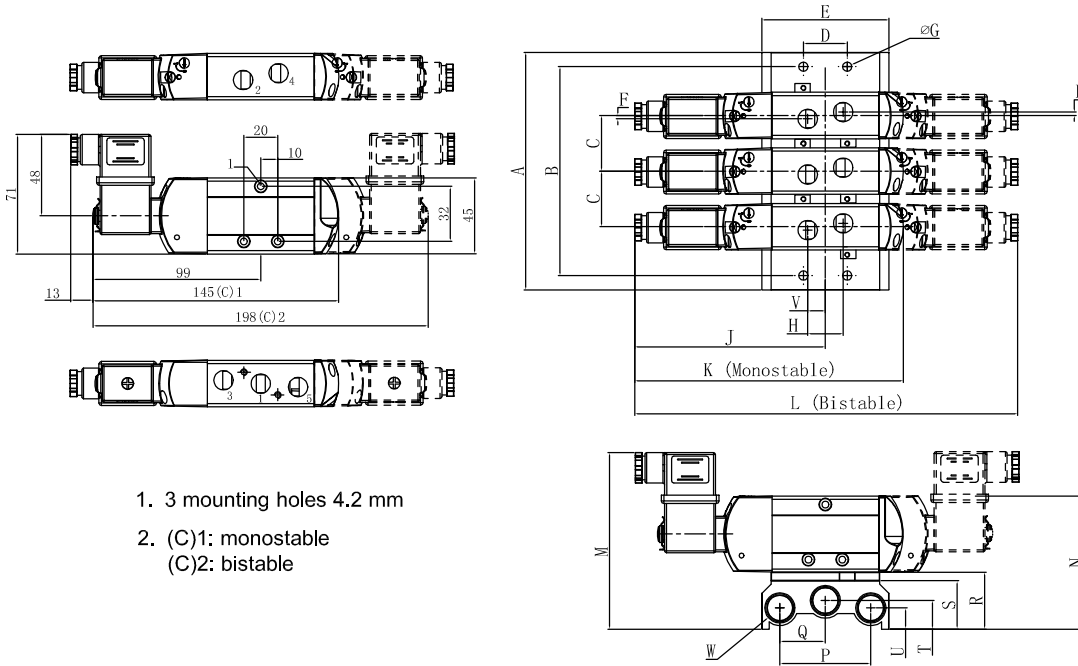


- ① coil size 22
- ② 3 mounting holes 4.2 mm

- ① EM5 SOLENOID
- ② 3 mounting holes 4.2 mm

DIMENSIONS (mm), WEIGHT (kg)

SERIES 531 THREADED 5/2 WAY (MANIFOLD ASSEMBLY)



1. 3 mounting holes 4.2 mm
2. (C)1: monostable
(C)2: bistable

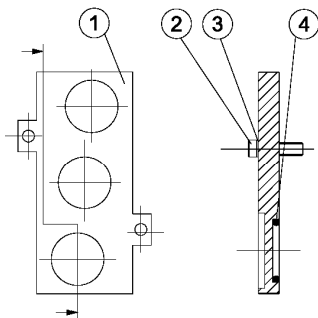
DIMENSIONS (mm)

A	See Chart below	M	105.5
B	See Chart below	N	78
C	33	P	54
D	26	Q	27
E	75	R	33.5
F	2	S	28.5
G	5.5	T	17
H	20.5	U	12.5
J	112	V	10.25
K	145	W	G3/8
L	198		

MANIFOLD #OF STATIONS	DIM A	DIM B	PART NO.
2 Stations	107	90	M531-1-2-P
3 Stations	140	123	M531-1-3-P
4 Stations	173	156	M531-1-4-P
5 Stations	206	189	M531-1-5-P
6 Stations	239	222	M531-1-6-P
7 Stations	272	255	M531-1-7-P

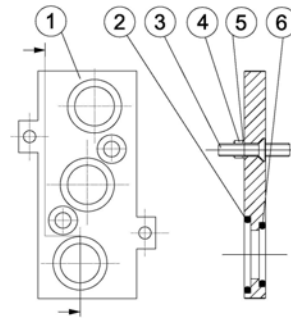
MANIFOLD #OF STATIONS	DIM A	DIM B	PART NO.
8 Stations	305	288	M531-1-8-P
9 Stations	338	321	M531-1-9-P
10 Stations	371	354	M531-1-10-P
11 Stations	404	387	M531-1-11-P
12 Stations	437	40	M531-1-12-P
Adaptor kit	SJ200115		

BLANK STATION PLATE KIT SJ200116



DET. NO	NO. REQ'D	PART NAME
1	1	Bland Station Plate
2	2	Screw
3	2	Lockwasher
4	3	O-ring

ADAPTOR KIT SJ200115



DET. NO	NO. REQ'D	PART NAME
1	2	Adaptor
2	2	O-ring
3	2	Screw
4	2	Screw
5	2	Lockwasher
6	3	O-ring