

TABLE OF CONTENTS

129

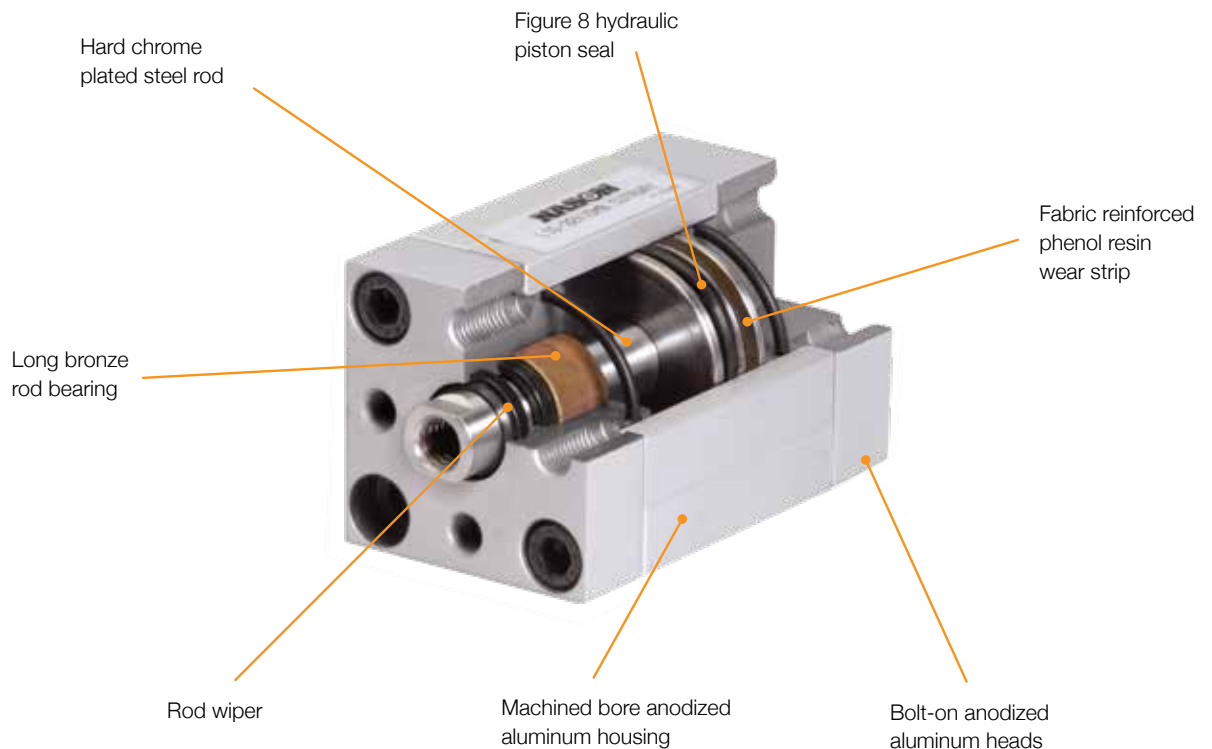
L 15 SERIES Hydraulic Cylinders



129	Features	136	32mm	Bore
130	How to Order	138	40mm	Bore
131	Engineering Data	140	50mm	Bore
132	20mm			Bore
134	25mm			Bore

L15 SERIES

HYDRAULIC CYLINDERS



Common Features

Nason's L15 series hydraulic actuators were designed to be compact, low friction, long lasting devices for today's demanding design requirements. They are offered in single and double rod configurations with inch or metric mounting and ports.

Low Breakaway and Running Friction / Long Life

Designed for low start up and running friction, the L15 series contains low friction Nitrile seals and are lubricated at the factory with PTFE impregnated grease. Precision machined components and self-lubricating bearings ensure long life and continued low friction operation.

Compact Size

Nason L15 cylinders were designed with today's automation equipment in mind. They offer more

power in a smaller package than comparable 1500 PSI hydraulic cylinders.

Rugged Construction

The L15 series incorporates thick walled, anodized aluminum housings and caps. Rods are chrome plated 1045/1050 steel riding in self-lubricating bronze bearings. Hardened fasteners are used for assembly. Steel pistons with wear rings and rod wipers are standard on all models.

Versatile Design

The L15 series cylinders are metric in design (bore and rod sizes). They are offered in inch or metric mounting and porting. Due to their 100% machined design, they are easily customized by Nason.

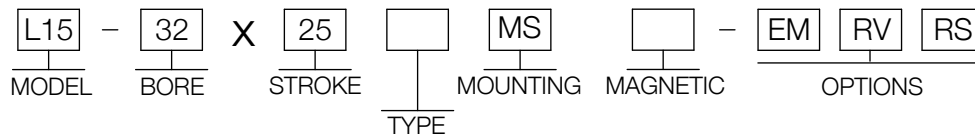
Rebuildable

All L15 series cylinders are field rebuildable.

How to Order

Example:

Part Number: L15-32X25MS-EMRVRS



MODEL
L15 - 1500 PSI Hydraulic Cylinder

BORE
20 - 20mm (.79")
25 - 25mm (.98")
32 - 32mm (1.26")
40 - 40mm (1.58")
50 - 50mm (1.97")

STROKE
15 - 15mm (.59")
25 - 25mm (.98")
40 - 40mm (1.58")
50 - 50mm (1.97")
65 - 65mm (2.56")
75 - 75mm (2.95")

TYPE
BLANK (No Code) - Double Acting, Single Rod
D - Double Acting, Double Rod

MOUNTING
MF - Threads on Front Face (Rod End)
MR - Threads on Rear Face (Opposite Rod)
MB - Threads on Both Faces
MS - Threads on Side of Cylinder Body

MAGNETIC
BLANK (No Code) - Standard No Magnet
M - Magnetic Piston and Sensor Mounting

OPTIONS
EM - InchThreads (Mounting and Ports) (See product pages for sizes)
RS - Male Stud for Rod End (Length - 2 x Thread Diameter)
RF - 5mm (.197") Rod Extension
RT - 10mm (.394") Rod Extension
RV - 25mm (.984") Rod Extension

Operating Media: Mineral oil, water polyglycol solutions, water-in-oil emulsions

Maximum Operating Pressure: 103 Bar (1500 PSI)
50mm Bore Magnetic Piston—69 Bar (1,000 PSI)

Operating Temperature: -10°C to 70°C (0°F to 158°F)

Packing: Buna N

Lubrication: PTFE impregnated grease

Stroke Tolerance: +0,75mm/-0mm
(+0.03"/-0")

Piston Area Chart

Bore	Push (Rod Extend)	Pull (Rod Retract)
20	3,14 cm ² (.48 in ²)	2,64 cm ² (.40 in ²)
25	4,91 cm ² (.76 in ²)	4,12 cm ² (.64 in ²)
32	8,04 cm ² (1.25 in ²)	6,91 cm ² (1.07 in ²)
40	12,56 cm ² (1.95 in ²)	10,55 cm ² (1.64 in ²)
50	19,63 cm ² (3.04 in ²)	16,49 cm ² (2.56 in ²)

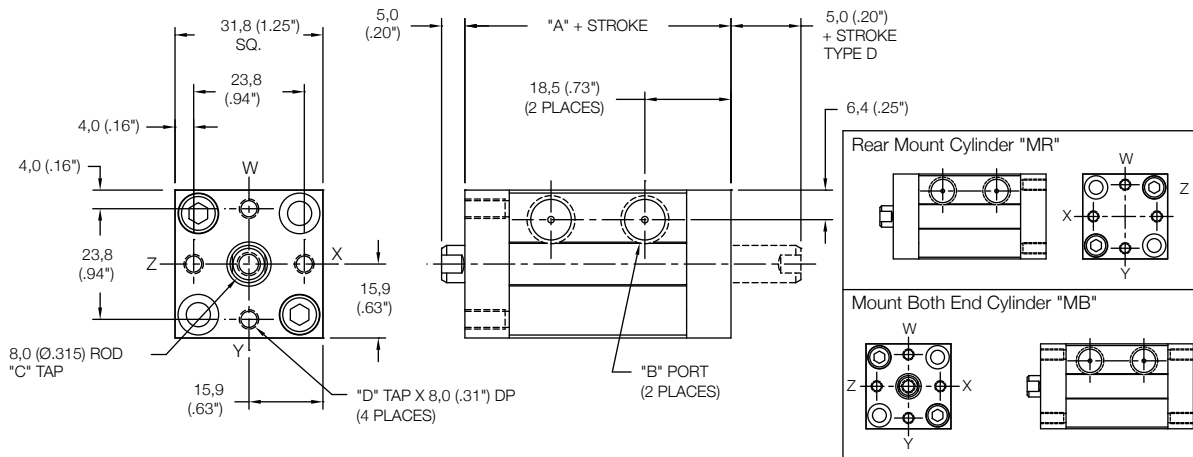
Cylinder Output Force Formula

Piston Area x Pressure = Output Force
Piston Area (in ²) x Pressure (PSI) = lbf (Pounds Force)
Piston Area (cm ²) x Pressure (kg/cm ²) = kgf (Kilograms Force)
Piston Area (cm ²) x Pressure (kg/cm ²) x 9.8 = Newtons
Piston Area (cm ²) x Pressure (Bar) x 10 = Newtons
Piston Area (cm ²) x Pressure (Bar) x 10 = Newtons
Piston Area (cm ²) x Pressure (Bar) x 1.02 = kgf (Kilograms Force)

Non Magnetic Front Mount Cylinder "MF"

MODEL	TYPE	STANDARD STROKES	"A"	PISTON AREA
L15	_D	15mm	47,0 (1.85")	PUSH 3,14 cm ² (0.48 in ²)
		25mm		
		40mm		PULL 2,64 cm ² (0.40 in ²)
		50mm		
		65mm		
75mm				

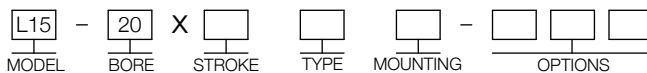
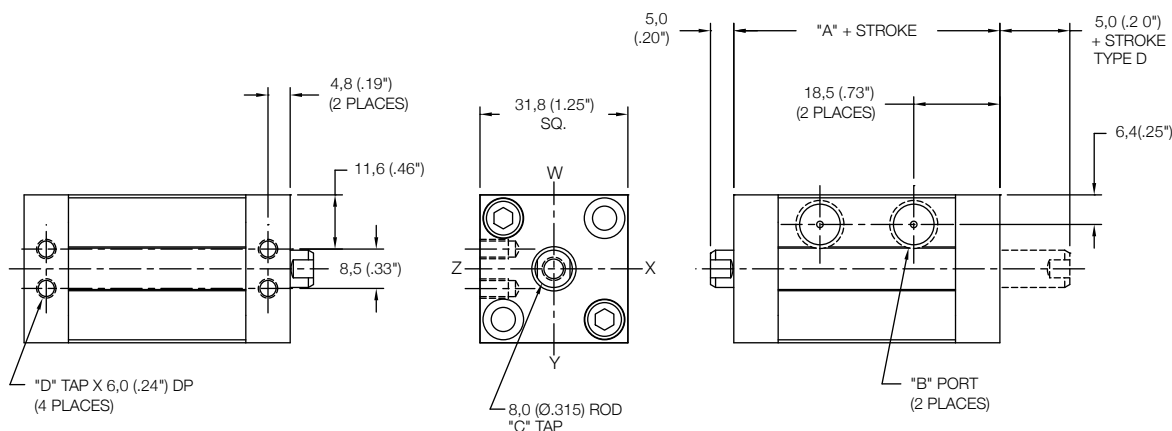
	Standard Threads	"EM" Option
"B"	R 1/8 (1/8-28 BSPT)	1/8-27
"C"	M5X0,8	#10-32
"D"	M4X0,7	#8-32



Non Magnetic Side Mount Cylinder "MS"

MODEL	TYPE	STANDARD STROKES	"A"	PISTON AREA
L15	_D	15mm	47,0 (1.85")	PUSH 3,14 cm ² (0.48 in ²)
		25mm		
		40mm		PULL 2,64 cm ² (0.40 in ²)
		50mm		
		65mm		
75mm				

	Standard Threads	"EM" Option
"B"	R 1/8 (1/8-28 BSPT)	1/8-27
"C"	M5X0,8	#10-32
"D"	M4X0,7	#8-32



15mm - 75mm STROKE
(SEE STROKE RANGE)

BLANK - NO CODE
D - DOUBLE ROD

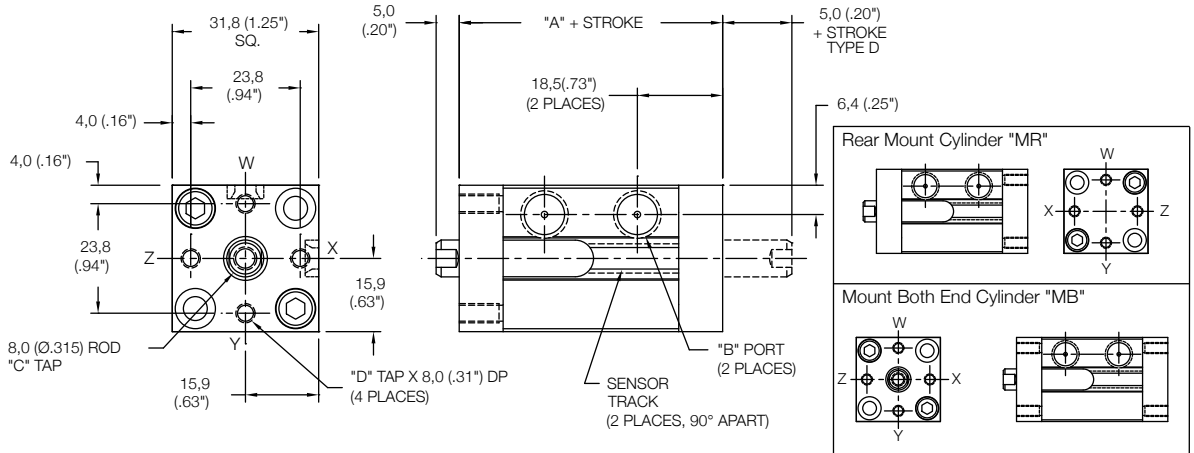
MB - BOTH END MOUNT
MF - FRONT MOUNT
MR - REAR MOUNT
MS - SIDE MOUNT

EM - INCH THREADS & PORT OPTIONS:
RS - MALE STUD FOR ROD END
(SEE PAGE 96 FOR DETAILS)
RF, RH, RN, RT, RV, RY - ROD EXTENSIONS
(SEE PAGE 96 FOR DETAILS)

Magnetic Front Mount Cylinder "MF"

MODEL	TYPE	STANDARD STROKES	"A"	PISTON AREA
L15	_D	15mm	62,0 (2.44")	PUSH 3,14 cm ² (0.48 in ²) PULL 2,64 cm ² (0.40 in ²)
		25mm		
		40mm		
		50mm		
		65mm		
		75mm		

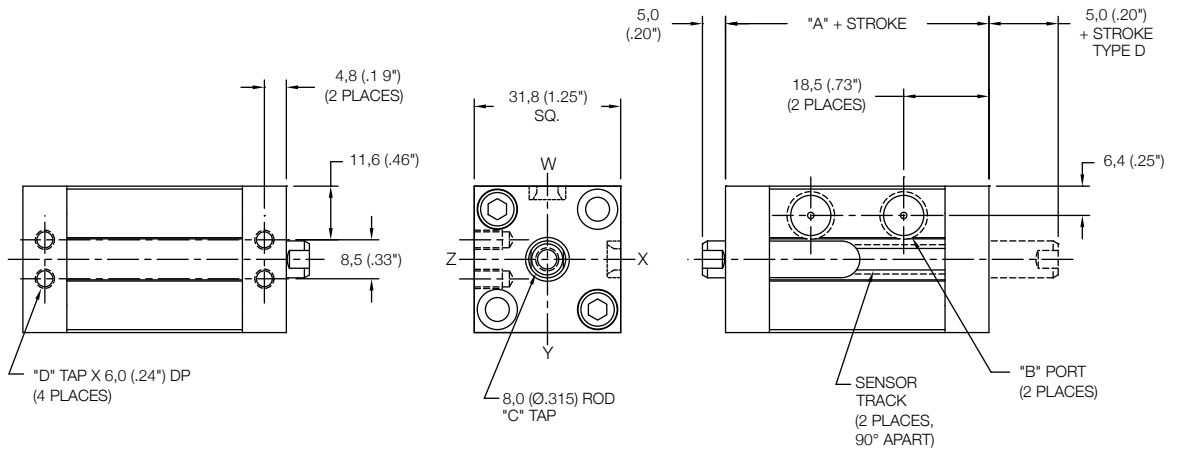
	Standard Threads	"EM" Option
"B"	R 1/8 (1/8-28 BSPT)	1/8-27
"C"	M5X0,8	#10-32
"D"	M4X0,7	#8-32



Magnetic Side Mount Cylinder "MS"

MODEL	TYPE	STANDARD STROKES	"A"	PISTON AREA
L15	_D	15mm	62,0 (2.44")	PUSH 3,14 cm ² (0.48 in ²) PULL 2,64 cm ² (0.40 in ²)
		25mm		
		40mm		
		50mm		
		65mm		
		75mm		

	Standard Threads	"EM" Option
"B"	R 1/8 (1/8-28 BSPT)	1/8-27
"C"	M5X0,8	#10-32
"D"	M4X0,7	#8-32



L15 - 20 X [] [] [] M - [] [] []
 MODEL BORE STROKE TYPE MOUNTING MAGNETIC OPTIONS

15mm - 75mm STROKE
(SEE STROKE RANGE)

BLANK - NO CODE
D - DOUBLE ROD

MB - BOTH END MOUNT
MF - FRONT MOUNT
MR - REAR MOUNT
MS - SIDE MOUNT

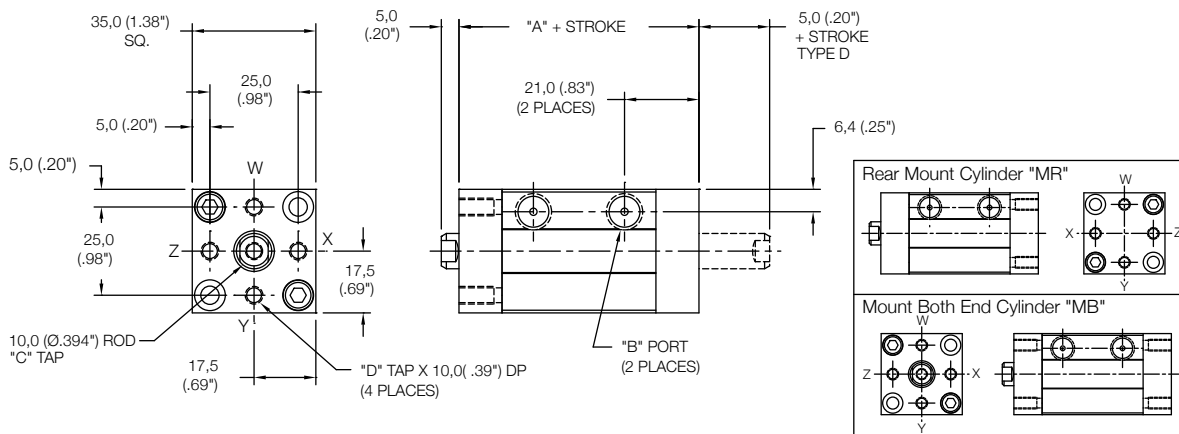
EM - INCH THREADS & PORT OPTIONS:
 RS - MALE STUD FOR ROD END
(SEE PAGE 96 FOR DETAILS)
 RF, RH, RN, RT, RV, RY - ROD EXTENSIONS
(SEE PAGE 96 FOR DETAILS)

SENSORS SOLD SEPARATELY
 SKS, SKP, SCS, SCP - SOLID STATE
 LIMIT SENSORS
(SEE PAGE 88 FOR DETAILS)

Non Magnetic Front Mount Cylinder "MF"

MODEL	TYPE	STANDARD STROKES	"A"	PISTON AREA
L15	...D	15mm	53,0 (2.09")	PUSH 4,91 cm ² (0.76 in ²)
		25mm		
		40mm		
		50mm		PULL 4,12 cm ² (0.64 in ²)
		65mm		
		75mm		

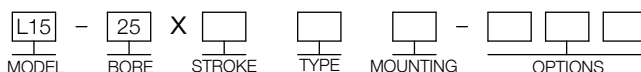
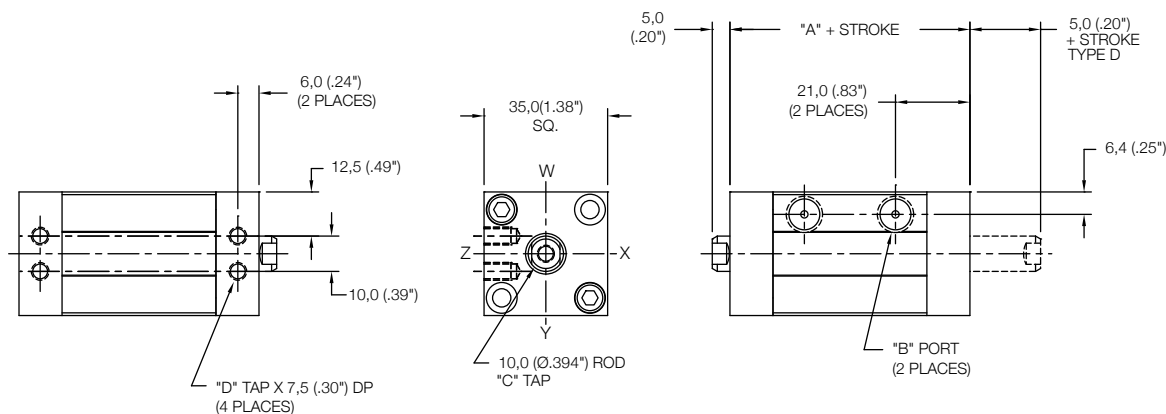
	Standard Threads	"EM" Option
"B"	R 1/8 (1/8-28 BSPT)	1/8-27
"C"	M6X1,0	1/4-20
"D"	M5X0,8	#10-32



Non Magnetic Side Mount Cylinder "MS"

MODEL	TYPE	STANDARD STROKES	"A"	PISTON AREA
L15	...D	15mm	53,0 (2.09")	PUSH 4,91 cm ² (0.76 in ²)
		25mm		
		40mm		
		50mm		PULL 4,12 cm ² (0.64 in ²)
		65mm		
		75mm		

	Standard Threads	"EM" Option
"B"	R 1/8 (1/8-28 BSPT)	1/8-27
"C"	M6X1,0	1/4-20
"D"	M5X0,8	#10-32



15mm - 75mm STROKE
(SEE STROKE RANGE)

BLANK - NO CODE
D - DOUBLE ROD

MB - BOTH END MOUNT
MF - FRONT MOUNT
MR - REAR MOUNT
MS - SIDE MOUNT

EM - INCH THREADS & PORT OPTIONS:

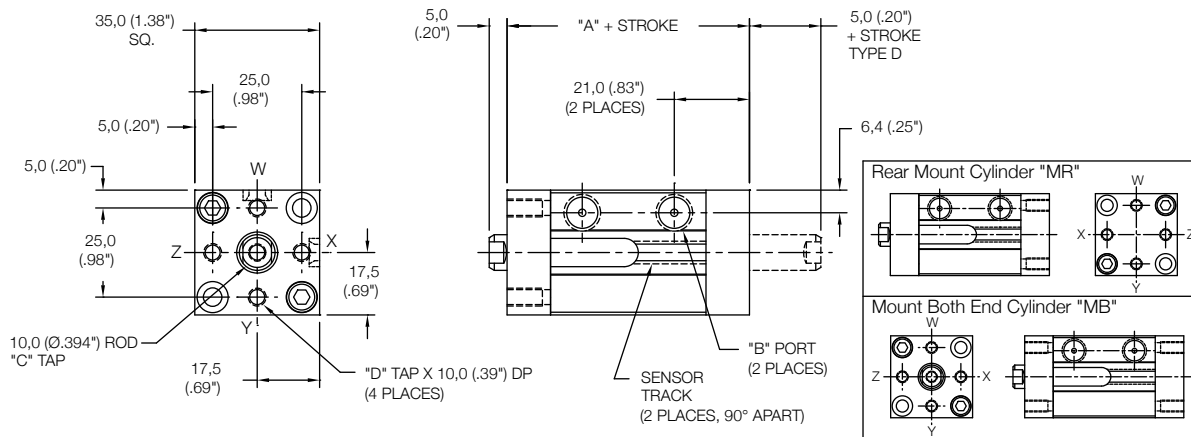
RS - MALE STUD FOR ROD END
(SEE PAGE 96 FOR DETAILS)

RF, RH, RN, RT, RV, RY - ROD EXTENSIONS
(SEE PAGE 96 FOR DETAILS)

Magnetic Front Mount Cylinder "MF"

MODEL	TYPE	STANDARD STROKES	"A"	PISTON AREA
L15	_,D	15mm	68,0 (2.68")	PUSH 4,91 cm ² (0.76 in ²) PULL 4,12 cm ² (0.64 in ²)
		25mm		
		40mm		
		50mm		
		65mm		
		75mm		

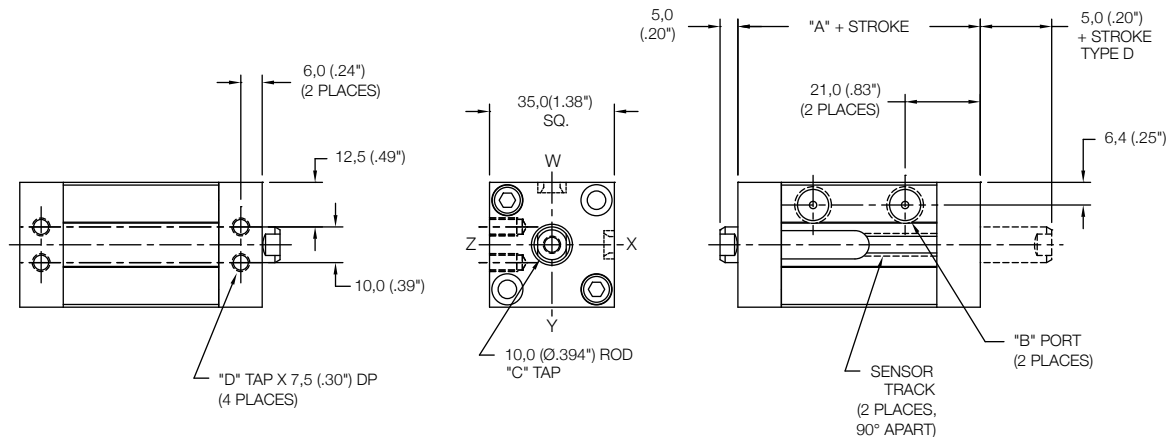
	Standard Threads	"EM" Option
"B"	R 1/8 (1/8-28 BSPT)	1/8-27
"C"	M6X1,0	1/4-20
"D"	M5X0,8	#10-32



Magnetic Side Mount Cylinder "MS"

MODEL	TYPE	STANDARD STROKES	"A"	PISTON AREA
L15	_,D	15mm	68,0 (2.68")	PUSH 4,91 cm ² (0.76 in ²) PULL 4,12 cm ² (0.64 in ²)
		25mm		
		40mm		
		50mm		
		65mm		
		75mm		

	Standard Threads	"EM" Option
"B"	R 1/8 (1/8-28 BSPT)	1/8-27
"C"	M6X1,0	1/4-20
"D"	M5X0,8	#10-32



L15 - **25** X **□** **□** **□** **M** - **□** **□** **□**
 MODEL BORE STROKE TYPE MOUNTING MAGNETIC OPTIONS

15mm - 75mm STROKE (SEE STROKE RANGE)
 BLANK - NO CODE
 D - DOUBLE ROD
 MB - BOTH END MOUNT
 MF - FRONT MOUNT
 MR - REAR MOUNT
 MS - SIDE MOUNT

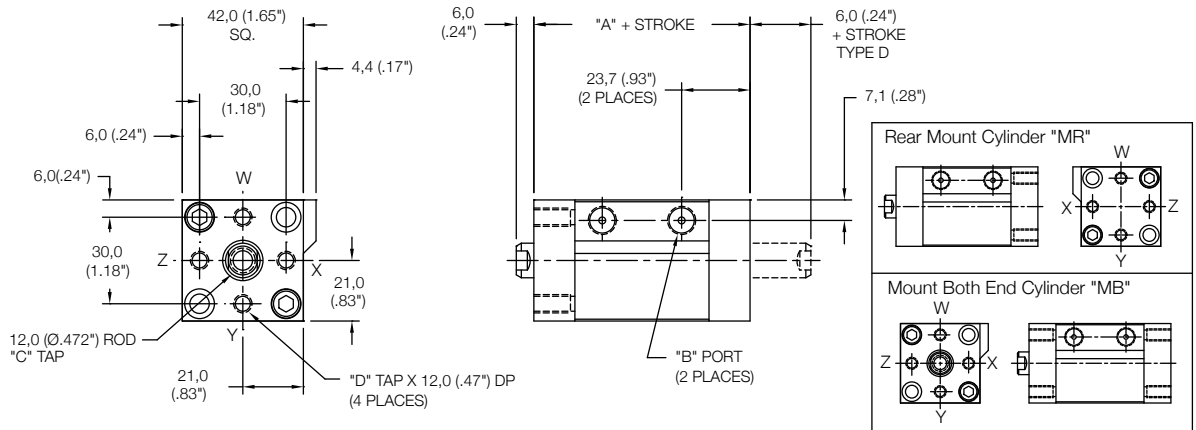
EM - INCH THREADS & PORT OPTIONS:
 RS - MALE STUD FOR ROD END (SEE PAGE 96 FOR DETAILS)
 RF, RH, RN, RT, RV, RY - ROD EXTENSIONS (SEE PAGE 96 FOR DETAILS)

SENSORS SOLD SEPARATELY
 SKS, SKP, SCS, SCP - SOLID STATE LIMIT SENSORS (SEE PAGE 88 FOR DETAILS)

Non Magnetic Front Mount Cylinder "MF"

MODEL	TYPE	STANDARD STROKES	"A"	PISTON AREA
L15	_D	15mm	60,0 (2.36")	PUSH 8,04 cm ² (1.25 in ²) PULL 6,91 cm ² (1.07 in ²)
		25mm		
		40mm		
		50mm		
		65mm		
75mm				

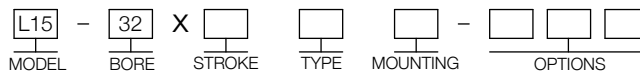
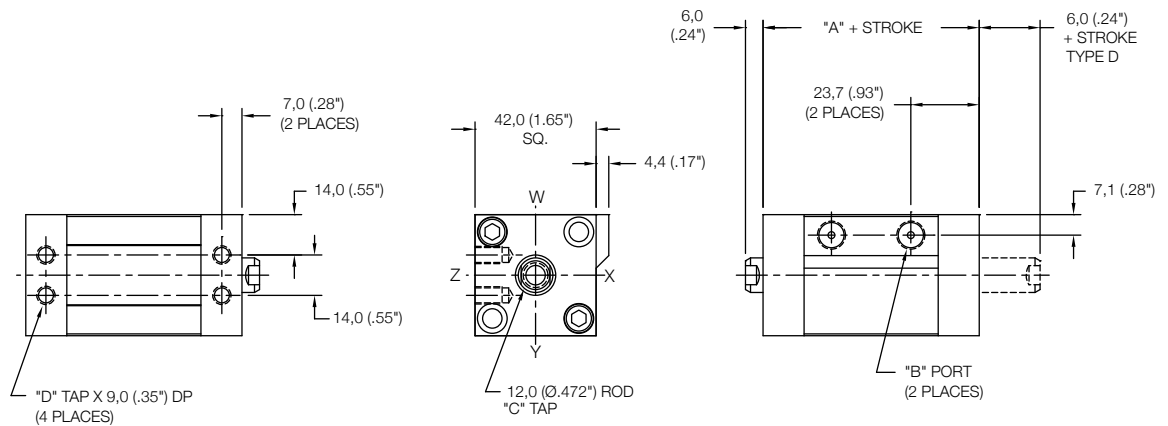
	Standard Threads	"EM" Option
"B"	R 1/8 (1/8-28 BSPT)	1/8-27
"C"	M8X1,25	5/16-18
"D"	M6X1,0	1/4-20



Non Magnetic Side Mount Cylinder "MS"

MODEL	TYPE	STANDARD STROKES	"A"	PISTON AREA
L15	_D	15mm	60,0 (2.36")	PUSH 8,04 cm ² (1.25 in ²) PULL 6,91 cm ² (1.07 in ²)
		25mm		
		40mm		
		50mm		
		65mm		
75mm				

	Standard Threads	"EM" Option
"B"	R 1/8 (1/8-28 BSPT)	1/8-27
"C"	M8X1,25	5/16-18
"D"	M6X1,0	1/4-20



15mm - 75mm STROKE
(SEE STROKE RANGE)

BLANK - NO CODE
D - DOUBLE ROD

MB - BOTH END MOUNT
MF - FRONT MOUNT
MR - REAR MOUNT
MS - SIDE MOUNT

EM - INCH THREADS & PORT OPTIONS:

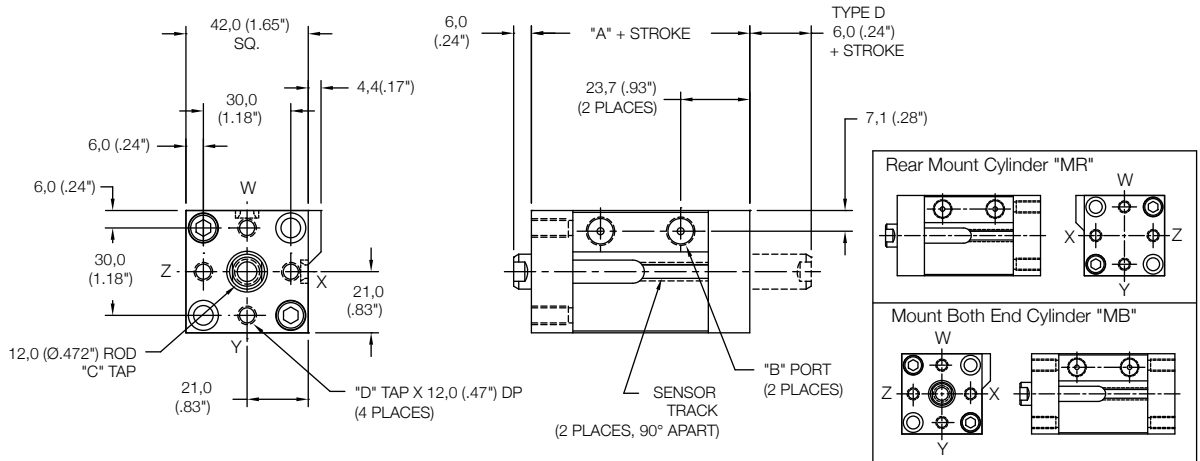
RS - MALE STUD FOR ROD END
(SEE PAGE 96 FOR DETAILS)

RF, RH, RN, RT, RV, RY - ROD EXTENSIONS
(SEE PAGE 96 FOR DETAILS)

Magnetic Front Mount Cylinder "MF"

MODEL	TYPE	STANDARD STROKES	"A"	PISTON AREA
L15	_,D	15mm - 75mm	75,0 (2.95")	PUSH 8,04 cm ² (1.25 in ²) PULL 6,91 cm ² (1.07 in ²)

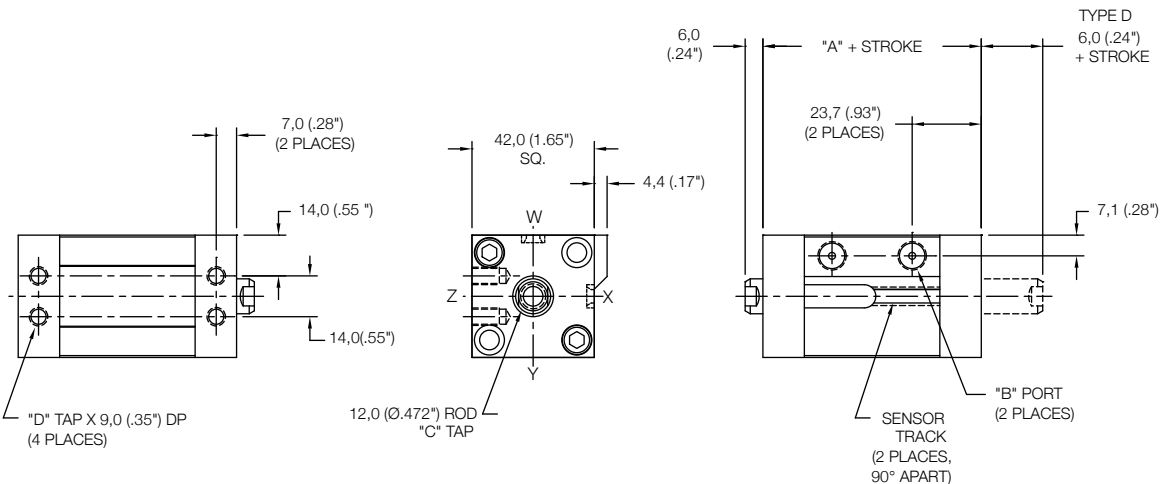
	Standard Threads	"EM" Option
"B"	R 1/8 (1/8-28 BSPT)	1/8-27
"C"	M8X1,25	5/16-18
"D"	M6X1,0	1/4-20



Magnetic Side Mount Cylinder "MS"

MODEL	TYPE	STANDARD STROKES	"A"	PISTON AREA
L15	_,D	15mm - 75mm	75,0 (2.95")	PUSH 8,04 cm ² (1.25 in ²) PULL 6,91 cm ² (1.07 in ²)

	Standard Threads	"EM" Option
"B"	R 1/8 (1/8-28 BSPT)	1/8-27
"C"	M8X1,25	5/16-18
"D"	M6X1,0	1/4-20



L15 - **32** X **□** **□** **□** **□** **□** **M** - **□** **□** **□**
 MODEL BORE STROKE TYPE MOUNTING MAGNETIC OPTIONS

15mm - 75mm STROKE (SEE STROKE RANGE)
 BLANK - NO CODE
 D - DOUBLE ROD
 MB - BOTH END MOUNT
 MF - FRONT MOUNT
 MR - REAR MOUNT
 MS - SIDE MOUNT

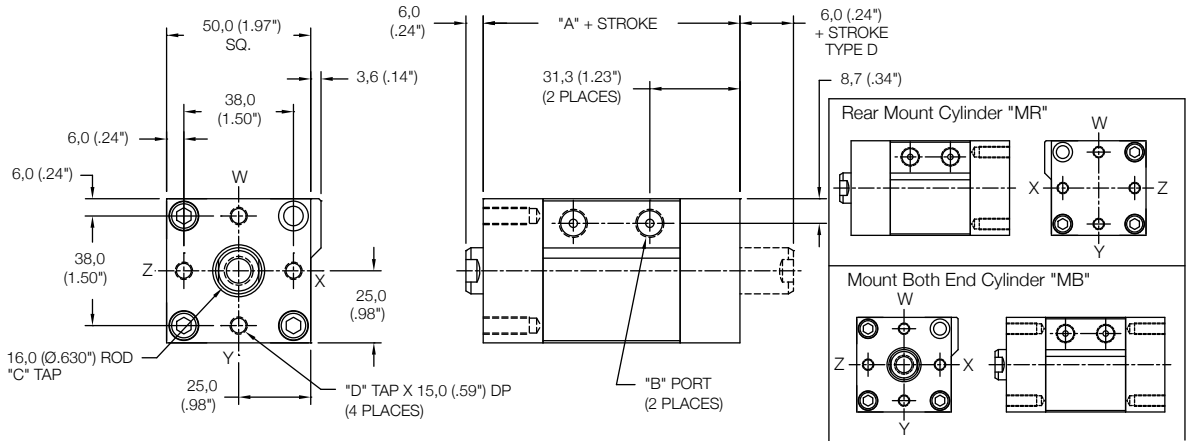
EM - INCH THREADS & PORT OPTIONS:
 RS - MALE STUD FOR ROD END (SEE PAGE 96 FOR DETAILS)
 RF, RH, RN, RT, RV, RY - ROD EXTENSIONS (SEE PAGE 96 FOR DETAILS)

SENSORS SOLD SEPARATELY
 SKS, SKP, SCS, SCP - SOLID STATE LIMIT SENSORS (SEE PAGE 88 FOR DETAILS)

Non Magnetic Front Mount Cylinder "MF"

MODEL	TYPE	STANDARD STROKES	"A"	PISTON AREA
L15	..D	15mm	76,5 (3.01")	PUSH 12,56 cm ² (1.95 in ²)
		25mm		
		40mm		
		50mm		PULL 10,55 cm ² (1.64 in ²)
		65mm		
		75mm		

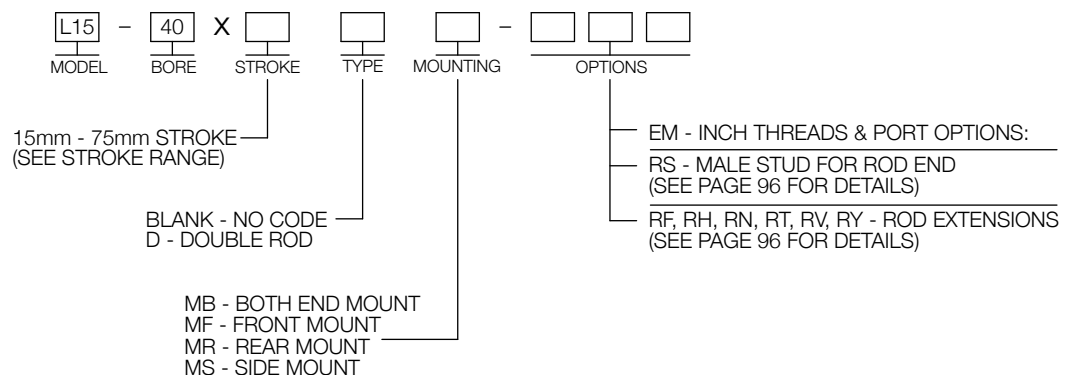
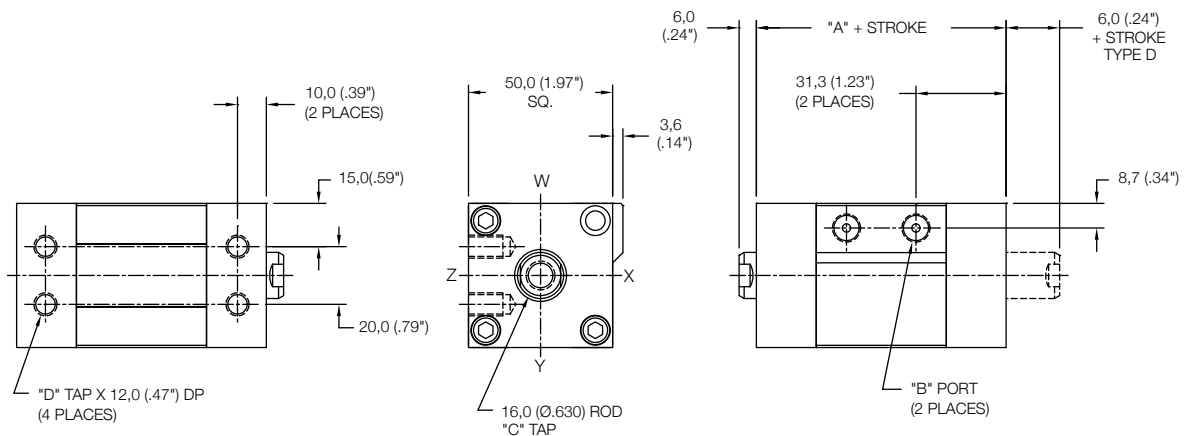
	Standard Threads	"EM" Option
"B"	R 1/8 (1/8-28 BSPT)	1/8-27
"C"	M10X1,5	3/8-24
"D"	M6X1,0	1/4-20



Non Magnetic Side Mount Cylinder "MS"

MODEL	TYPE	STANDARD STROKES	"A"	PISTON AREA
L15	..D	15mm	76,5 (3.01")	PUSH 12,56 cm ² (1.95 in ²)
		25mm		
		40mm		
		50mm		PULL 10,55 cm ² (1.64 in ²)
		65mm		
		75mm		

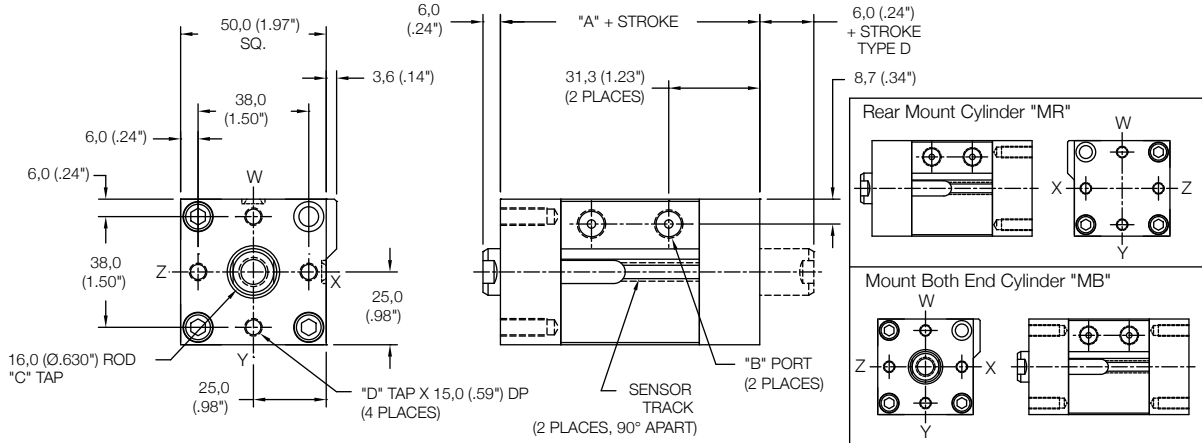
	Standard Threads	"EM" Option
"B"	R 1/8 (1/8-28 BSPT)	1/8-27
"C"	M10X1,5	3/8-24
"D"	M8X1,25	5/16-18



Magnetic Front Mount Cylinder "MF"

MODEL	TYPE	STANDARD STROKES	"A"	PISTON AREA
L15	_D	15mm	91,5 (3.60")	PUSH 12,56 cm ² (1.95 in ²)
		25mm		
		40mm		
		50mm		PULL 10,55 cm ² (1.64 in ²)
		65mm		
		75mm		

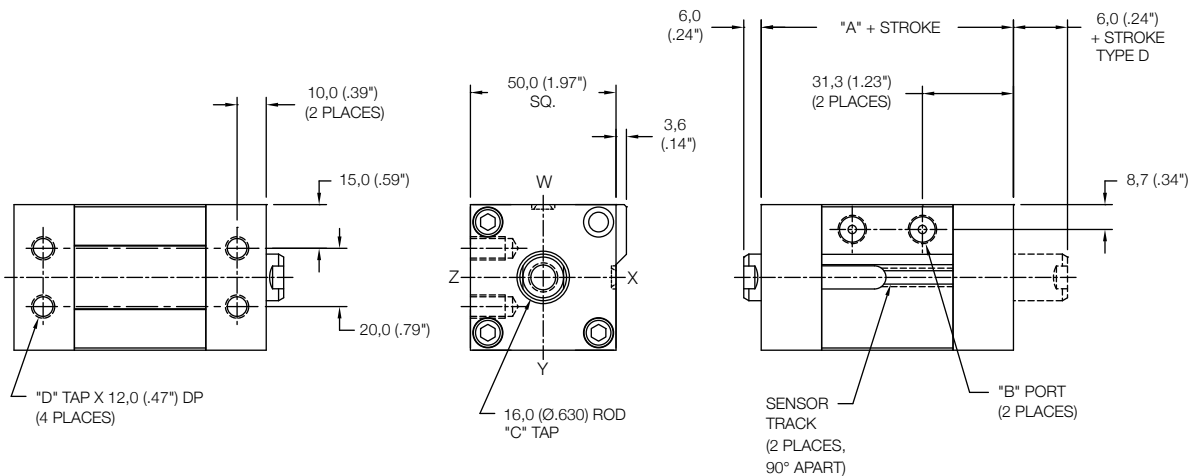
	Standard Threads	"EM" Option
"B"	R 1/8 (1/8-28 BSPT)	1/8-27
"C"	M10X1,5	3/8-24
"D"	M6X1,0	1/4-20



Magnetic Side Mount Cylinder "MS"

MODEL	TYPE	STANDARD STROKES	"A"	PISTON AREA
L15	_D	15mm	91,5 (3.60")	PUSH 12,56 cm ² (1.95 in ²)
		25mm		
		40mm		
		50mm		PULL 10,55 cm ² (1.64 in ²)
		65mm		
		75mm		

	Standard Threads	"EM" Option
"B"	R 1/8 (1/8-28 BSPT)	1/8-27
"C"	M10X1,5	3/8-24
"D"	M8X1,25	5/16-18



L15 - 40 X M -

MODEL BORE STROKE TYPE MOUNTING MAGNETIC OPTIONS

15mm - 75mm STROKE
 (SEE STROKE RANGE)

BLANK - NO CODE
 D - DOUBLE ROD

MB - BOTH END MOUNT
 MF - FRONT MOUNT
 MR - REAR MOUNT
 MS - SIDE MOUNT

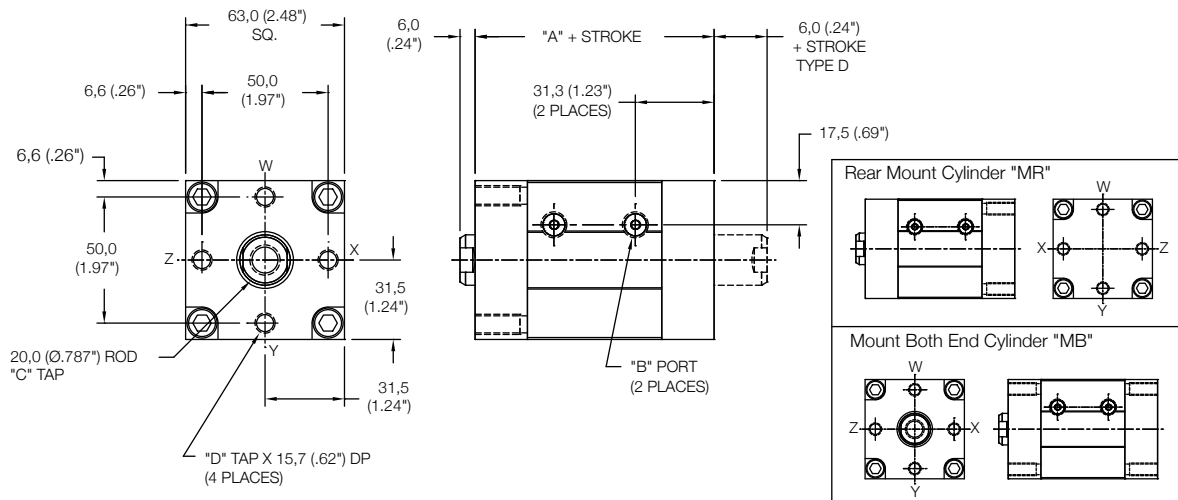
EM - INCH THREADS & PORT OPTIONS:
 RS - MALE STUD FOR ROD END
 (SEE PAGE 96 FOR DETAILS)
 RF, RH, RN, RT, RV, RY - ROD EXTENSIONS
 (SEE PAGE 96 FOR DETAILS)

SENSORS SOLD SEPARATELY
 SKS, SKP, SCS, SCP - SOLID STATE
 LIMIT SENSORS
 (SEE PAGE 88 FOR DETAILS)

Non Magnetic Front Mount Cylinder "MF"

MODEL	TYPE	STANDARD STROKES	"A"	PISTON AREA
L15	_D	15mm	80,0 (3.15")	PUSH 19,63 cm ² (3.04 in ²)
		25mm		
		40mm		
		50mm		PULL 17,62 cm ² (2.73 in ²)
		65mm		
		75mm		

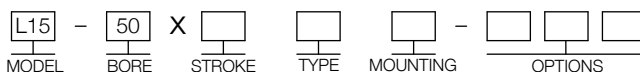
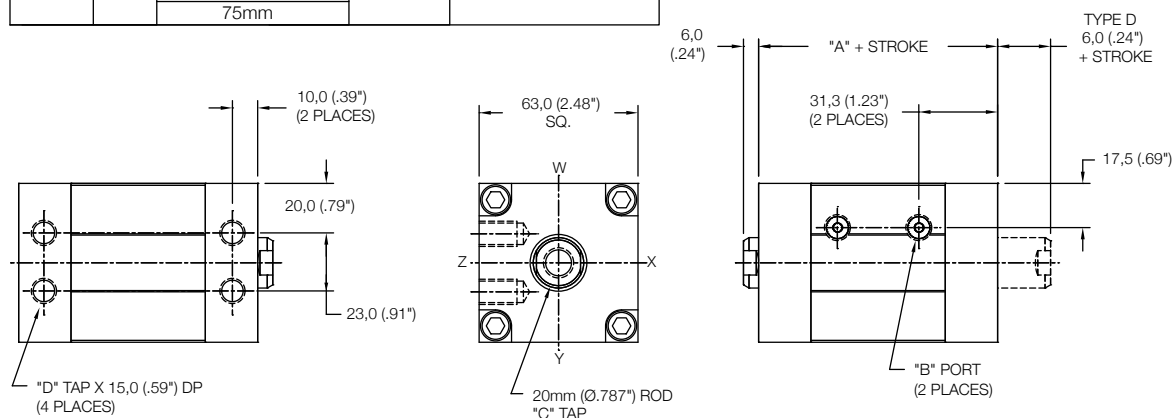
	Standard Threads	"EM" Option
"B"	R 1/8 (1/8-28 BSPT)	1/8-27
"C"	M12X1,75	1/2-13
"D"	M8X1,25	5/16-18



Non Magnetic Side Mount Cylinder "MS"

MODEL	TYPE	STANDARD STROKES	"A"	PISTON AREA
L15	_D	15mm	80,0 (3.15")	PUSH 19,63 cm ² (3.04 in ²)
		25mm		
		40mm		
		50mm		PULL 17,62 cm ² (2.73 in ²)
		65mm		
		75mm		

	Standard Threads	"EM" Option
"B"	R 1/8 (1/8-28 BSPT)	1/8-27
"C"	M12X1,75	1/2-13
"D"	M8X1,25	5/16-18



15mm - 75mm STROKE
(SEE STROKE RANGE)

BLANK - NO CODE
D - DOUBLE ROD

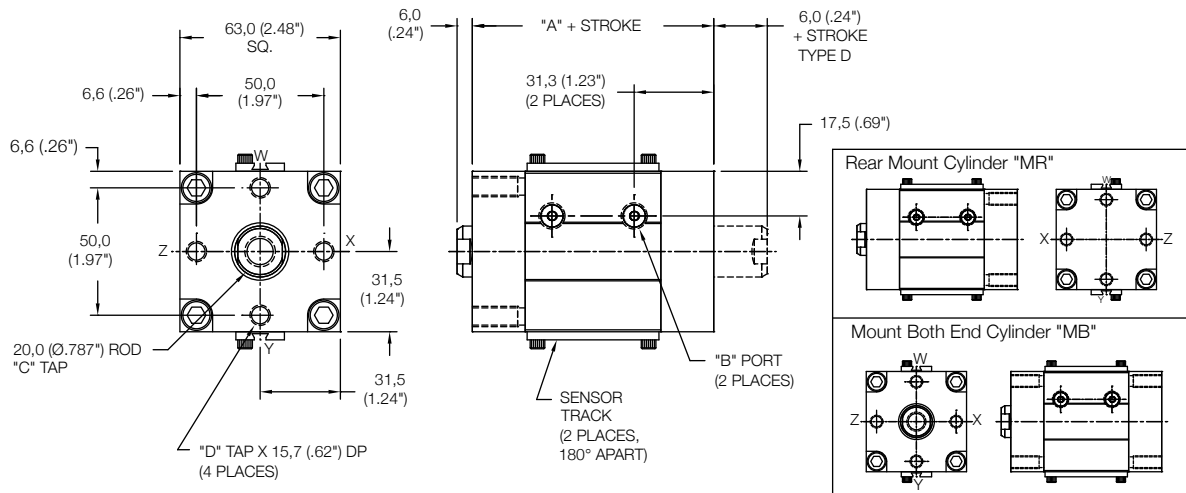
MB - BOTH END MOUNT
MF - FRONT MOUNT
MR - REAR MOUNT
MS - SIDE MOUNT

EM - INCH THREADS & PORT OPTIONS:
RS - MALE STUD FOR ROD END
(SEE PAGE 96 FOR DETAILS)
RF, RH, RN, RT, RV, RY - ROD EXTENSIONS
(SEE PAGE 96 FOR DETAILS)

Magnetic Front Mount Cylinder "MF"

MODEL	TYPE	STANDARD STROKES	"A"	PISTON AREA
L15	...D	15mm	95,0 (3.74")	PUSH 19,63 cm ² (3.04 in ²) PULL 17,62 cm ² (2.73 in ²)
		25mm		
		40mm		
		50mm		
		65mm		
		75mm		

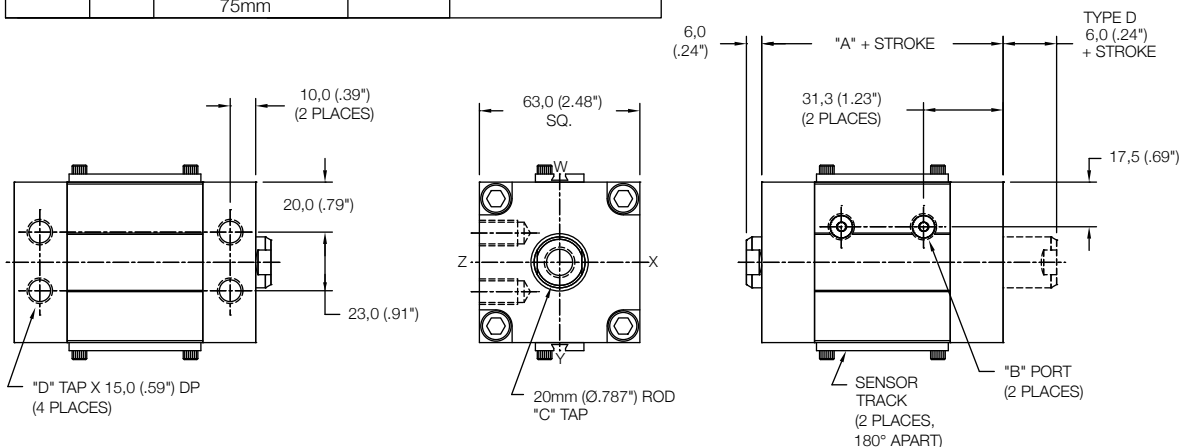
	Standard Threads	"EM" Option
"B"	R 1/8 (1/8-28 BSPT)	1/8-27
"C"	M12X1,75	1/2-13
"D"	M8X1,25	5/16-18



Magnetic Side Mount Cylinder "MS"

MODEL	TYPE	STANDARD STROKES	"A"	PISTON AREA
L15	...D	15mm	95,0 (3.74")	PUSH 19,63 cm ² (3.04 in ²) PULL 17,62 cm ² (2.73 in ²)
		25mm		
		40mm		
		50mm		
		65mm		
		75mm		

	Standard Threads	"EM" Option
"B"	R 1/8 (1/8-28 BSPT)	1/8-27
"C"	M12X1,75	1/2-13
"D"	M8X1,25	5/16-18



L15 - **50** X **M** -
 MODEL BORE STROKE TYPE MOUNTING MAGNETIC OPTIONS

15mm - 75mm STROKE
(SEE STROKE RANGE)

BLANK - NO CODE
D - DOUBLE ROD

MB - BOTH END MOUNT
MF - FRONT MOUNT
MR - REAR MOUNT
MS - SIDE MOUNT

EM - INCH THREADS & PORT OPTIONS:

RS - MALE STUD FOR ROD END
(SEE PAGE 96 FOR DETAILS)

RF, RH, RN, RT, RV, RY - ROD EXTENSIONS
(SEE PAGE 96 FOR DETAILS)

SENSORS SOLD SEPARATELY
SKS, SKP, SCS, SCP - SOLID STATE
LIMIT SENSORS
(SEE PAGE 88 FOR DETAILS)