

inLoop™ ACE Crude Oil Sampler



The Welker inLoop™ ACE Crude Oil Sampler takes representative samples from a bypass loop in accordance with industry standards API 8.2 and ISO 3171.

Features

- 0.5–5 cc sample collection head capacity
- Externally adjustable sample volume
- Check valves designed to capture complete makeup of product
- 316/316L stainless steel material for wetted parts
- Coated protection on shafts and sealing surfaces
- Optional VCO process connection
- Optional purge
- Optional mounting bracket

Benefits

- High-speed sampling for short batches
- External adjustment allows sample volume to be set without removing the sampler from the bypass loop
- Built with durable construction material for equipment longevity
- Optional VCO connection allows for easy retrofitting of existing systems
- Optional purge design prevents sample batch cross-contamination



SPECIFICATIONS

INLOOP™ ACE CRUDE OIL SAMPLER

inLoop™ ACE

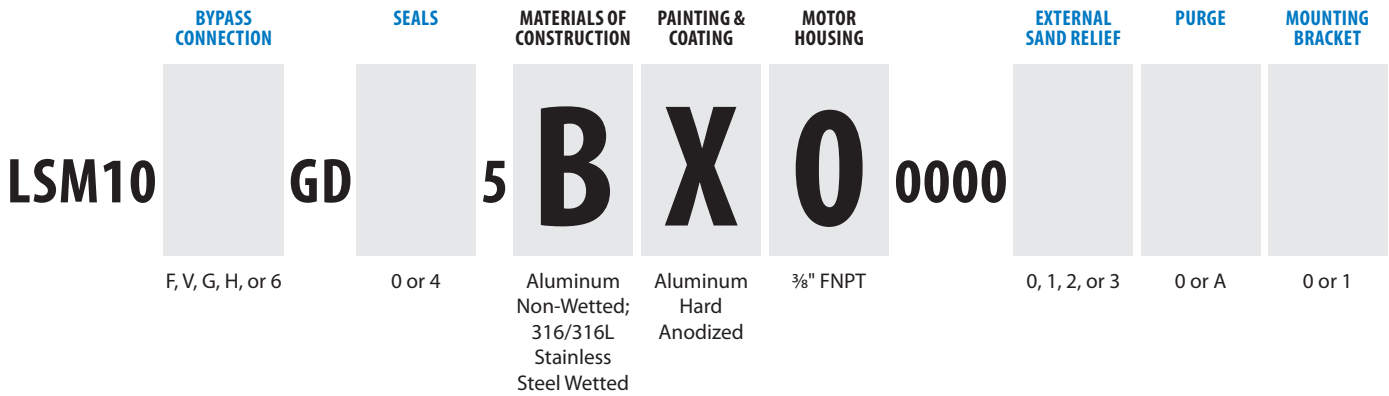
Materials of Construction	316/316L Stainless Steel Wetted Parts, (Anodized) Aluminum Non-Wetted Parts
Seal Material Options	Viton®
	Kalrez® Wetted, Viton® Non-Wetted
Viscosity Range	Up to 4000 cP
Process Connection and Operating Pressure Options	1" FNPT or VCO: 1480 psig MAOP @ -20 °F to 100 °F
	1" – 150 ANSI Stainless Steel: 275 psig MAOP @ -20 °F to 100 °F
	1" – 300 ANSI Stainless Steel: 720 psig MAOP @ -20 °F to 100 °F
	1" – 600 ANSI Stainless Steel: 1440 psig MAOP @ -20 °F to 100 °F
Ambient Temperature	-20 °F to 120 °F
Operating Temperature*	20 °F to 200 °F
Utility Requirements	Hydraulic or Pneumatic Supply: 30–200 psig, Actuation Consumption (per Sample Grab @ 80 psig): 0.06 ft ³
Sample Volume	0.5–5 cc (Adjustable)
Sample Grab Rate	Up to 30 Grabs per Minute**
Industry Standards	Complies With API 8.2 and ISO 3171

*Contact Welker for Special Requirements

** Sample Grab Rate Dependent on Product Viscosity and Operating Pressure

STANDARD OPTIONS

INLOOP™ ACE CRUDE OIL SAMPLER



BYPASS CONNECTION

- F:** 1" FNPT
- V:** 1" VCO Fittings
- G:** 1" – 150 ANSI RF
- H:** 1" – 300 ANSI RF
- 6:** 1" – 600 ANSI RF

SEALS

- 0:** Viton®
- 4:** Kalrez® Wetted, Viton® Non-Wetted

EXTERNAL SAND RELIEF

- 0:** None
- 1:** 50–350 psig
- 2:** 350–750 psig
- 3:** 750–1500 psig

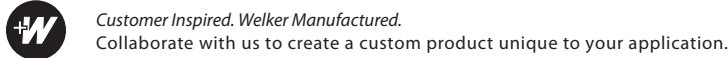
PURGE

- 0:** None
- A:** With Purge

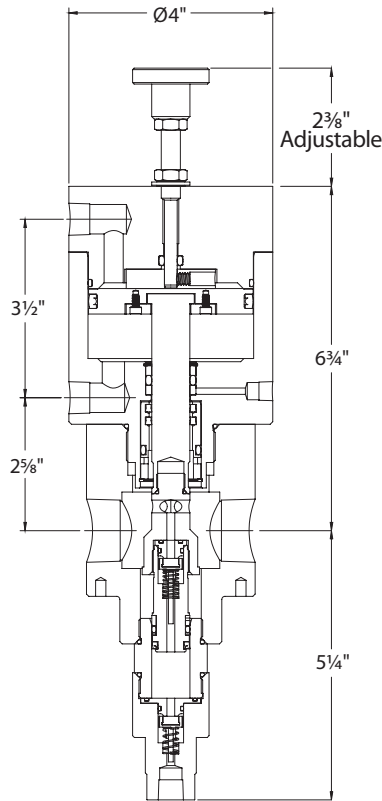
MOUNTING BRACKET

- 0:** None
- 1:** With Mounting Bracket

For custom options, choose **Plus Welker™**.



DIMENSIONS



Weight and/or dimensions are approximate. Specifications subject to change without notice.

