



Main features

- FLAT-body design
- Good linearity
- Designed integrate into machine

Pancake like diaphragm load cell designed for the use in Fully electric Injection Molding Machines.

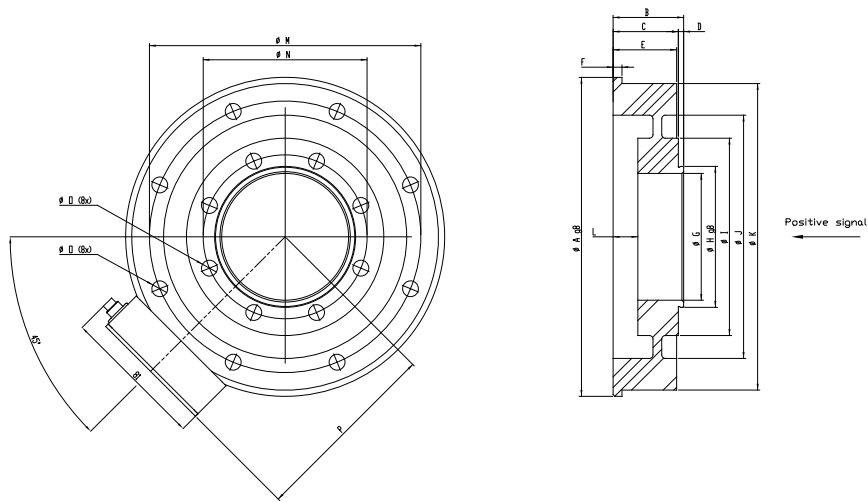
The Flat-Body design allows for easy integration into the injection unit without adding to the machine length.

TECHNICAL DATA

OUTPUT SIGNAL	VOLTAGE	CURRENT
Measuring range	60...650kN	
Sampling rate	5 kHz	
Low-pass filter	1 kHz	
Zero output signal	0 V (V)	4 mA (I)
Full scale output signal	+10 V (V) compression	20 mA (I) compression
	-10 V (V) stretching	-
Accuracy	$\pm 1\%$ FS	
Accuracy of zero point	$\pm 0,1\%$ FS	
Linearity	$\pm 0,6\%$ FS	
Hysteresis	$\pm 0,6\%$ FS	
Repeatability	$\pm 0,2\%$ FS	
Allowed load	≥ 5 k Ω	0...500 Ω
Repeatability	>25 ms	
Reset voltage	12...36VDC, 0 VDC	
Supply voltage	12...36VDC	
Power consumption	0.5 W	1 W
Inverse polarity protection	Yes	
Accidental short-circuit protection	Yes	
Dielectric strenght (1)	50V	
Operating temperature range	0...70°C	
Storage temperatur range	0...70°C	
Temperature effects (zero)	$\pm 0,02$ % FS/°C	
Temperature effects (span)	$\pm 0,02$ % FS/°C	
Maximum applicable load	150%	
Rupture load	>200%	
Protection class	IP54	
EC Conformity	According to Directive 2014/30/EU	
Case material	Steel	

(1) Uses 50V 2J Voltage suppressor

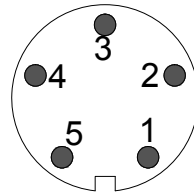
MECHANICAL DIMENSIONS



Rated capacity	A	B	C	D	E	F	G	H	I	J	K	L	M	N	o	P
60 kN	181	40	37	3	36	5	72	80	112	138	174	14	154	93	9	108
80 kN	181	40	37	3	36	5	72	80	112	138	174	14	154	93	9	108
150 kN	181	65	60	5	59	10	70	80	112	138	180	17	160	93	9	111
200 kN	181	65	60	5	59	10	70	80	112	138	180	17	160	93	9	111
300 kN	276	67	60	7	59	10	110	135	182	208	275	17	247	160	13	158,5
500 kN	276	67	60	7	59	10	110	135	182	208	275	17	247	160	13	158,5
650 kN	322	67	60	7	59	10	173	180	230	270	321	15	298	194	13	181,5

ELECTRICAL CONNECTIONS

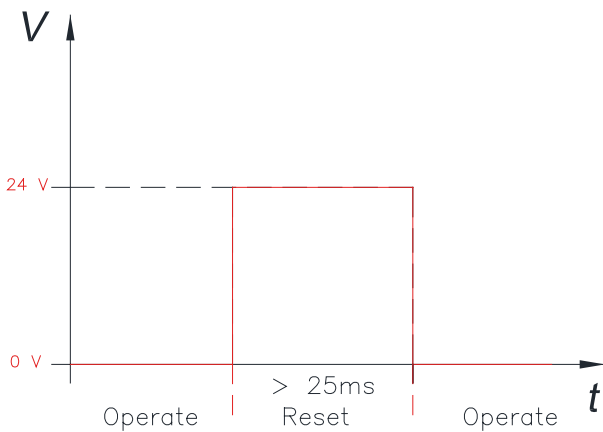
FUNCTION	CONNECTOR OUTPUT 09 0415 00 05 M9 X 5
+ 24V	1
GROUND	2
RESET	3
- SIG	4
+ SIG	5



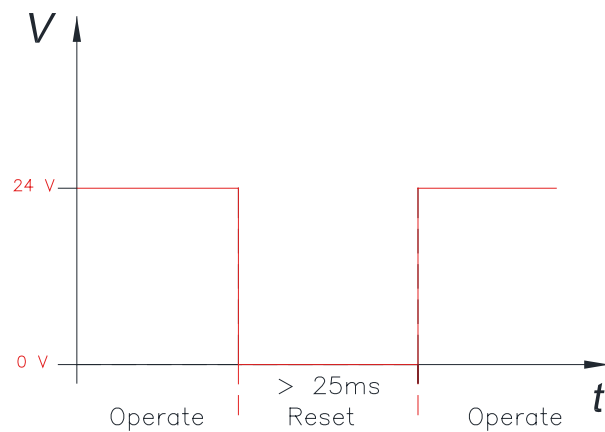
- 1 Exc +
- 2 Exc -
- 3 Reset
- 4 Sig -
- 5 Sig +

RESET FUNCTION

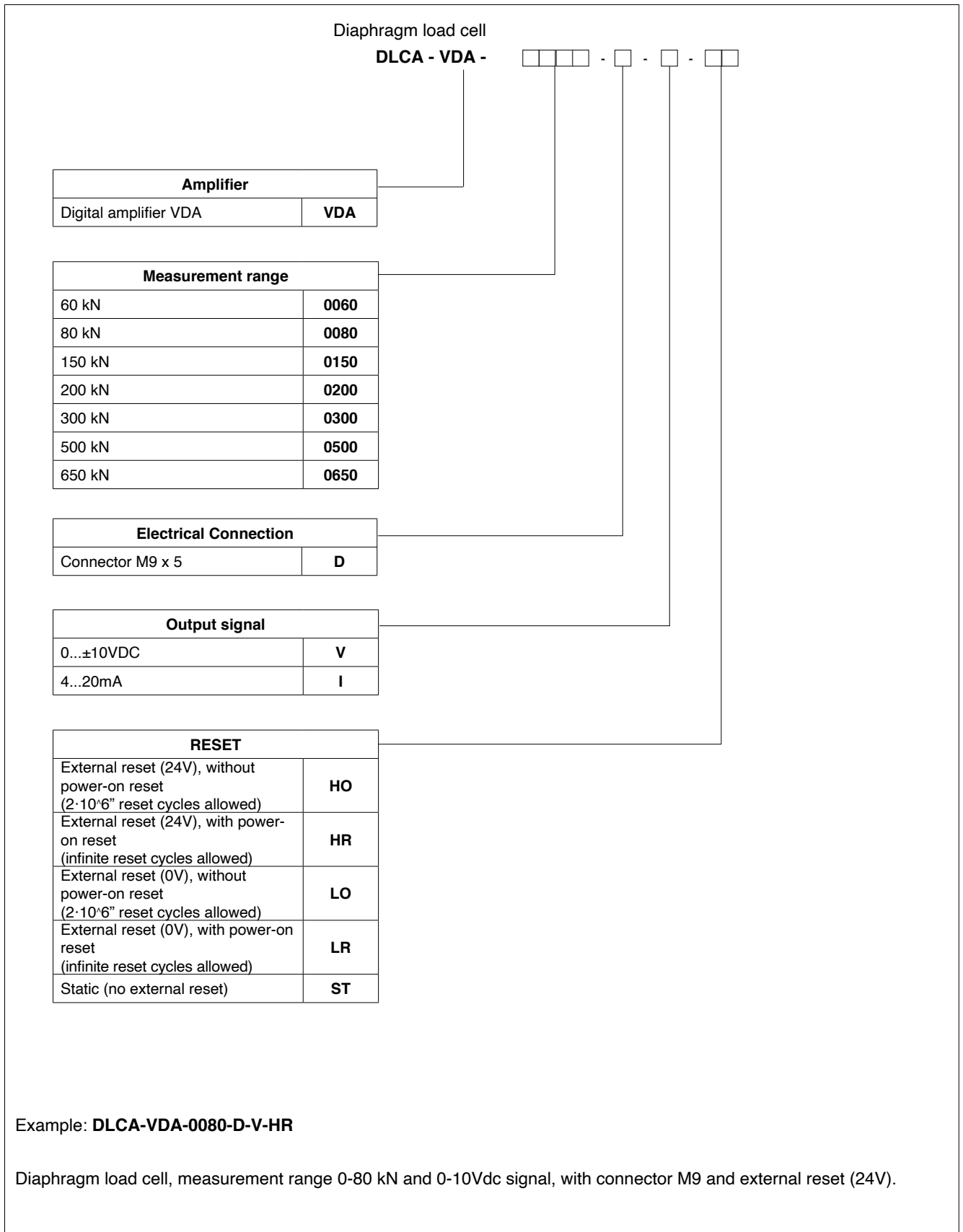
Reset control input	Reset	12...36V
	Operate	0V/open
Minimum reset pulse duration	> 25 ms	



Reset control input	Reset	0V
	Operate	12...36V/open
Minimum reset pulse duration	> 25 ms	



ORDER CODE



GEFRAN spa reserves the right to make any kind of design or functional modification at any moment without prior notice.



Sensormate AG
Steigweg 8, - CH-8355 Aadorf, Switzerland
ph: +41(0)52-2421818 - fax: +41(0)52-3661884
Internet: <http://www.sensormate.ch>



GEFRAN spa
via Sebina, 74 - 25050 PROVAGLIO D'ISEO (BS) - ITALY
ph. +39 030 9888.1 - fax. +39 030 9839063
Internet: <http://www.gefran.com>