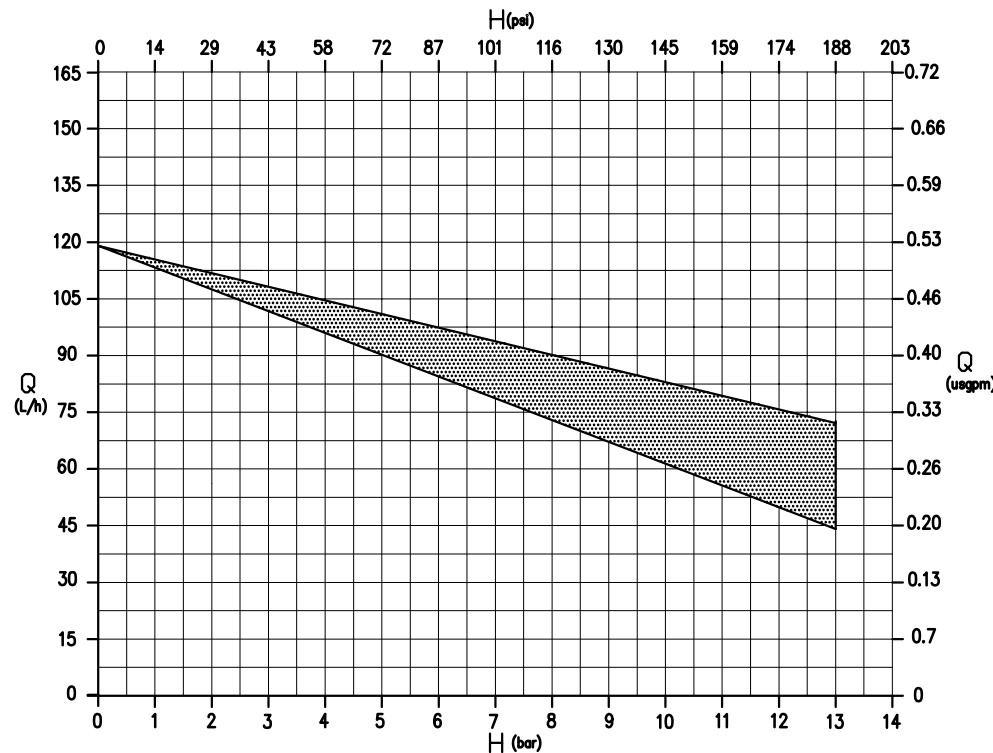


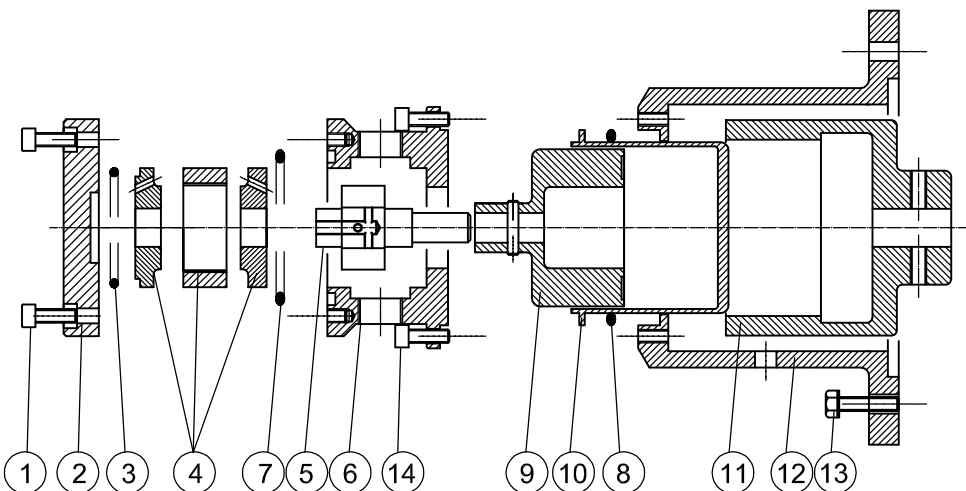
FEATURES/CARATTERISTICHE

Materials available/Materiali disponibili:	AISI 316
Max flow/Portata massima:	120 L/h
Max head/Prevalenza massima:	13 bar
Max temperature/Temperatura massima:	120°C
Max temp. HT version/T. massima versione HT:	200°C
Max viscosity/Viscosità massima:	2000 cSt
Pressure rating/Pressione nominale massima:	NP/PN 25 @ 20°C
Pump weight/Peso pompa:	3.4 kg
Motor weight/Peso motore (approx.):	0.37kW: 6.7kg
ATEX motor weight/Peso mot. ATEX (approx.):	0.37kW: 16 kg

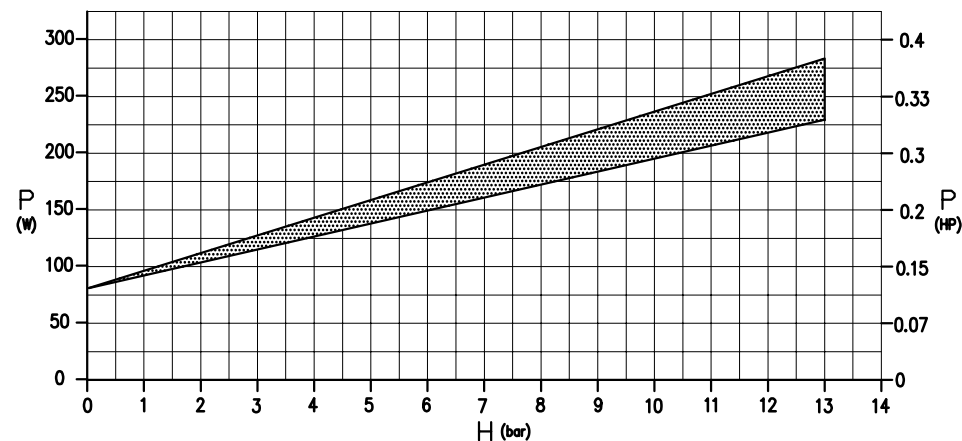
CURVES/CURVE 50HZ-1450 RPM



SECTION AND PARTS LIST/SEZIONE E LISTA PARTI



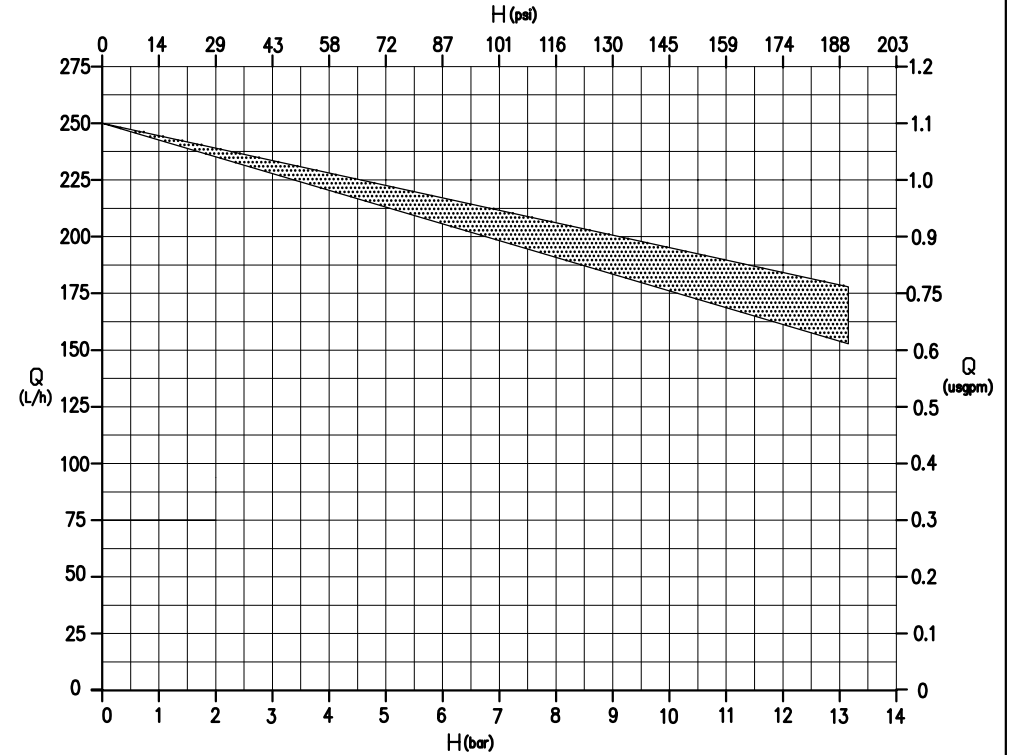
POS.	1	2	3	4	5	6	7	8	9	10	11	12	13	14
PART DESCR.	SET SCREWS	END COVER	O-RING	FLANGES STATOR VANES+PINS	ROTOR SHAFT	PUMP BODY	O-RING	O-RING	INTERNAL MAGNET	REAR CASING	EXTERNAL MAGNET	BRACKET	SET SCREWS	SET SCREWS
MAT.	AISI304	AISI316	EPDM VITON	GRAPHITE	AISI316	AISI316	EPDM VITON	EPDM VITON	AISI316	AISI316	C40+NdFeb	ALUMINIUM	AISI304	AISI304



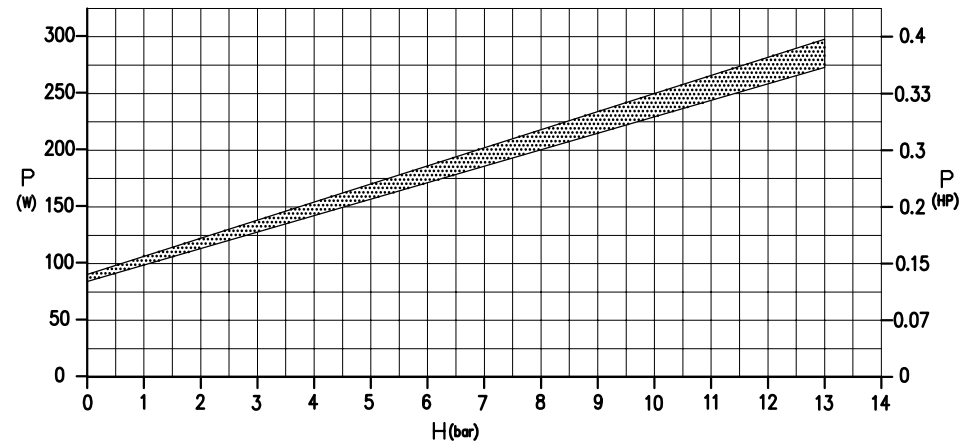
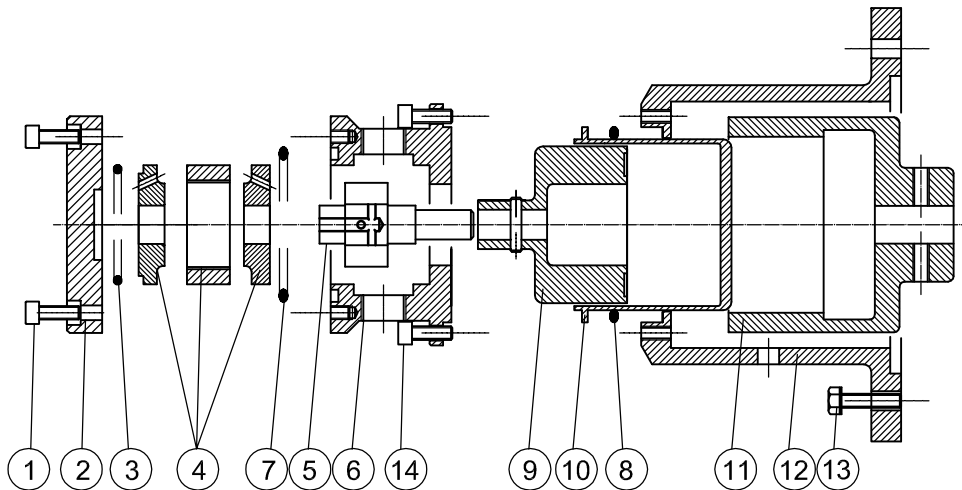
FEATURES/CARATTERISTICHE

Materials available/Materiali disponibili:	AISI 316
Max flow/Portata massima:	250 L/h
Max head/Prevalenza massima:	13 bar
Max temperature/Temperatura massima:	120°C
Max temp. HT version/T. massima versione HT:	200°C
Max viscosity/Viscosità massima:	2000 cSt
Pressure rating/Pressione nominale massima:	NP/PN 25 @ 20°C
Pump weight/Peso pompa:	3.4 kg
Motor weight/Peso motore (approx.):	0.37kW: 6.7kg
ATEX motor weight/Peso mot. ATEX (approx.):	0.37kW: 16 kg

CURVES/CURVE 50HZ-1450 RPM



SECTION AND PARTS LIST/SEZIONE E LISTA PARTI

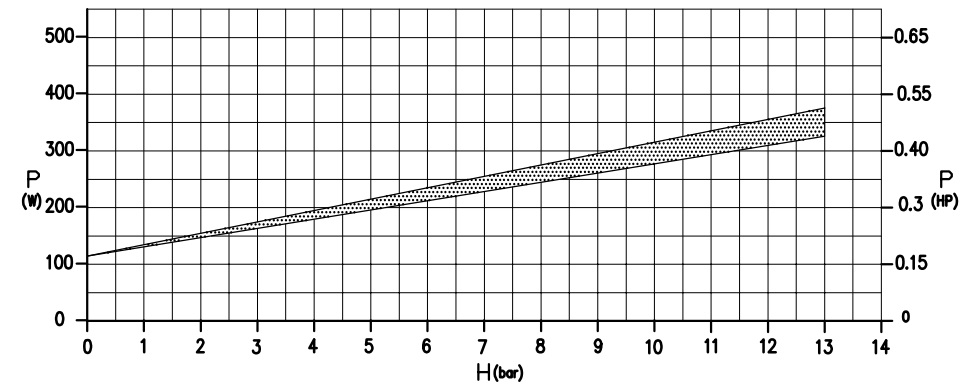
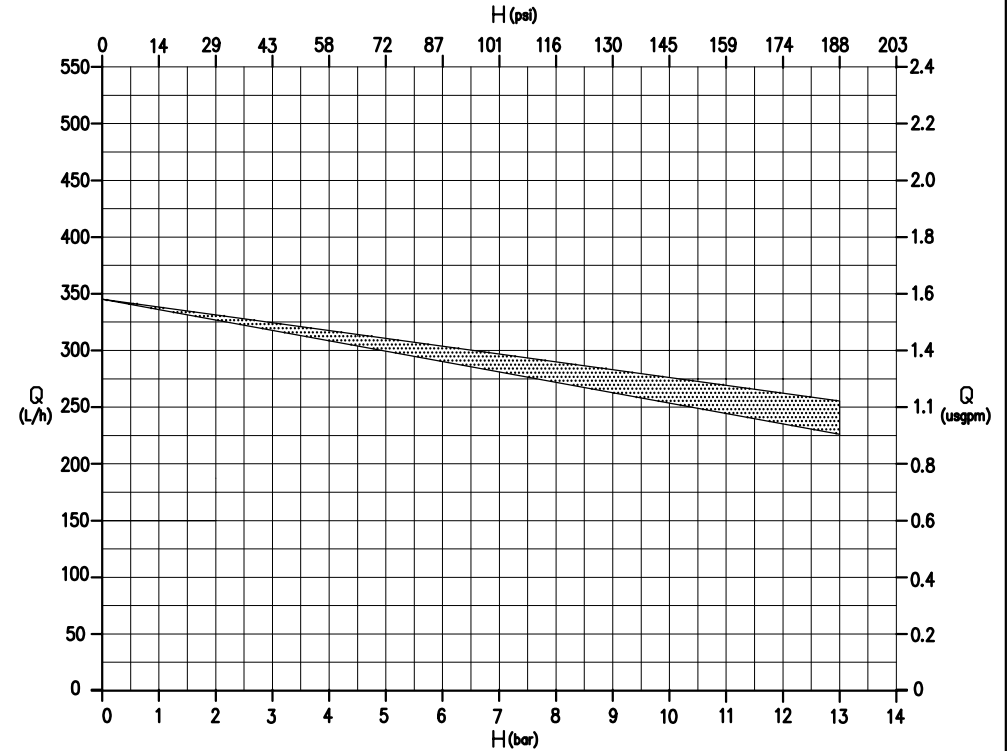


POS.	1	2	3	4	5	6	7	8	9	10	11	12	13	14
PART DESCR.	SET SCREWS	END COVER	O-RING	FLANGES STATOR VANES+PINS	ROTOR SHAFT	PUMP BODY	O-RING	O-RING	INTERNAL MAGNET	REAR CASING	EXTERNAL MAGNET	BRACKET	SET SCREWS	SET SCREWS
MAT.	AISI304	AISI316	EPDM VITON	GRAPHITE	AISI316	AISI316	EPDM VITON	EPDM VITON	AISI316	AISI316	C40+NdFeb	ALUMINIUM	AISI304	AISI304

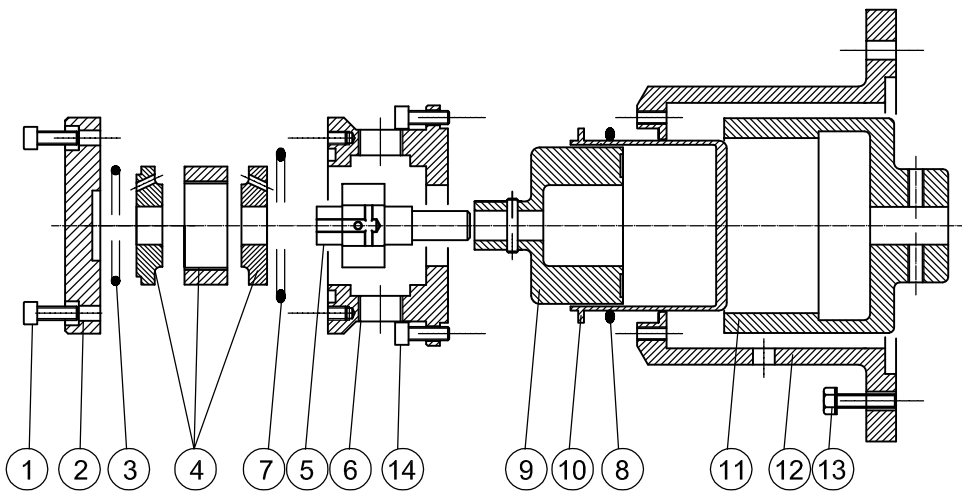
FEATURES/CARATTERISTICHE

Materials available/Materiali disponibili:	AISI 316
Max flow/Portata massima:	350 L/h
Max head/Prevalenza massima:	13 bar
Max temperature/Temperatura massima:	120°C
Max temp. HT version/T. massima versione HT:	200°C
Max viscosity/Viscosità massima:	2000 cSt
Pressure rating/Pressione nominale massima:	NP/PN 25 @ 20°C
Pump weight/Peso pompa:	3.4 kg
Motor weight/Peso motore (approx.):	0.37kW: 6.7kg
ATEX motor weight/Peso mot. ATEX (approx.):	0.37kW: 16 kg

CURVES/CURVE 50HZ-1450 RPM



SECTION AND PARTS LIST/SEZIONE E LISTA PARTI

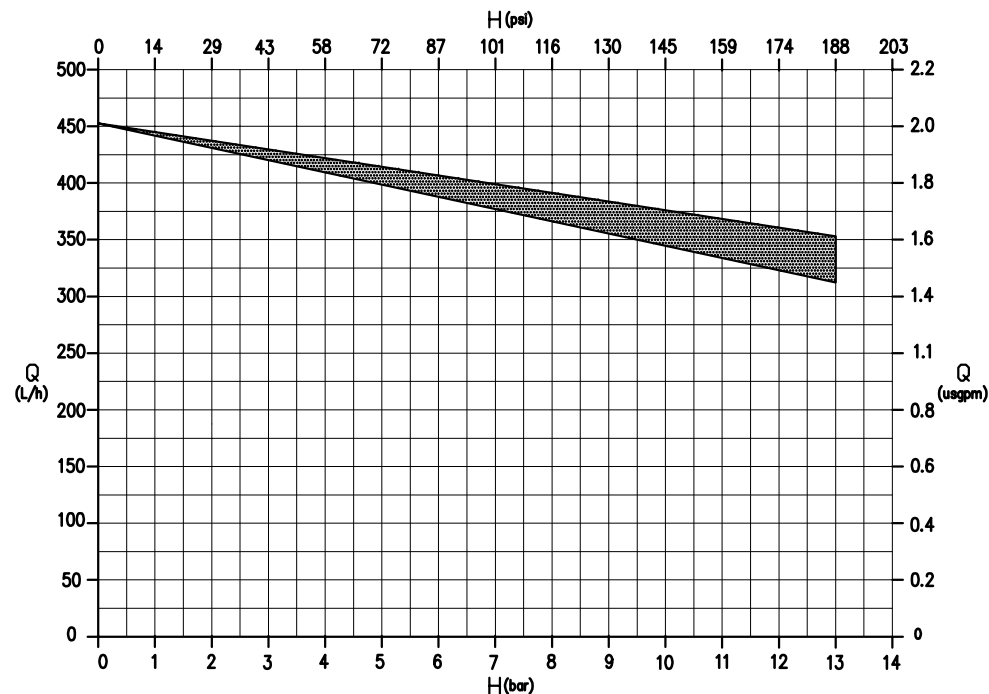


POS.	1	2	3	4	5	6	7	8	9	10	11	12	13	14
PART DESCR.	SET SCREWS	END COVER	O-RING	FLANGES STATOR VANES+PINS	ROTOR SHAFT	PUMP BODY	O-RING	O-RING	INTERNAL MAGNET	REAR CASING	EXTERNAL MAGNET	BRACKET	SET SCREWS	SET SCREWS
MAT.	AISI304	AISI316	EPDM VITON	GRAPHITE	AISI316	AISI316	EPDM VITON	EPDM VITON	AISI316	AISI316	CA40+NdFeb	ALUMINIUM	AISI304	AISI304

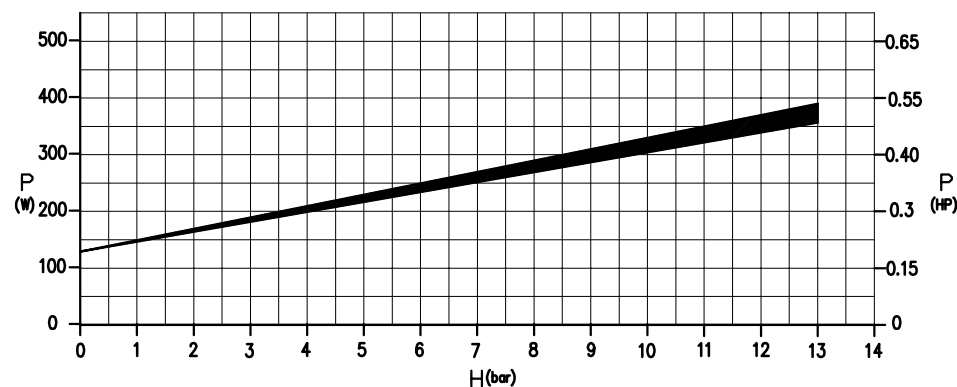
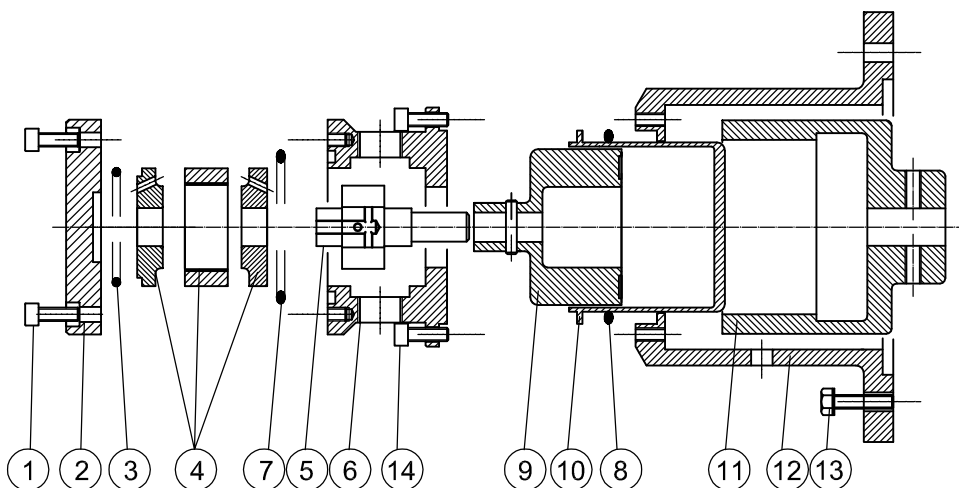
FEATURES/CARATTERISTICHE

Materials available/Materiali disponibili:	AISI 316
Max flow/Portata massima:	450 L/h
Max head/Prevalenza massima:	13 bar
Max temperature/Temperatura massima:	120°C
Max temp. HT version/T. massima versione HT:	200°C
Max viscosity/Viscosità massima:	2000 cSt
Pressure rating/Pressione nominale massima:	NP/PN 25 @ 20°C
Pump weight/Peso pompa:	3.4kg
Motor weight/Peso motore (approx.):	0.37kW: 6.7 kg
ATEX motor weight/Peso mot. ATEX (approx.):	0.37kW: 16 kg

CURVES/CURVE 50HZ-1450 RPM

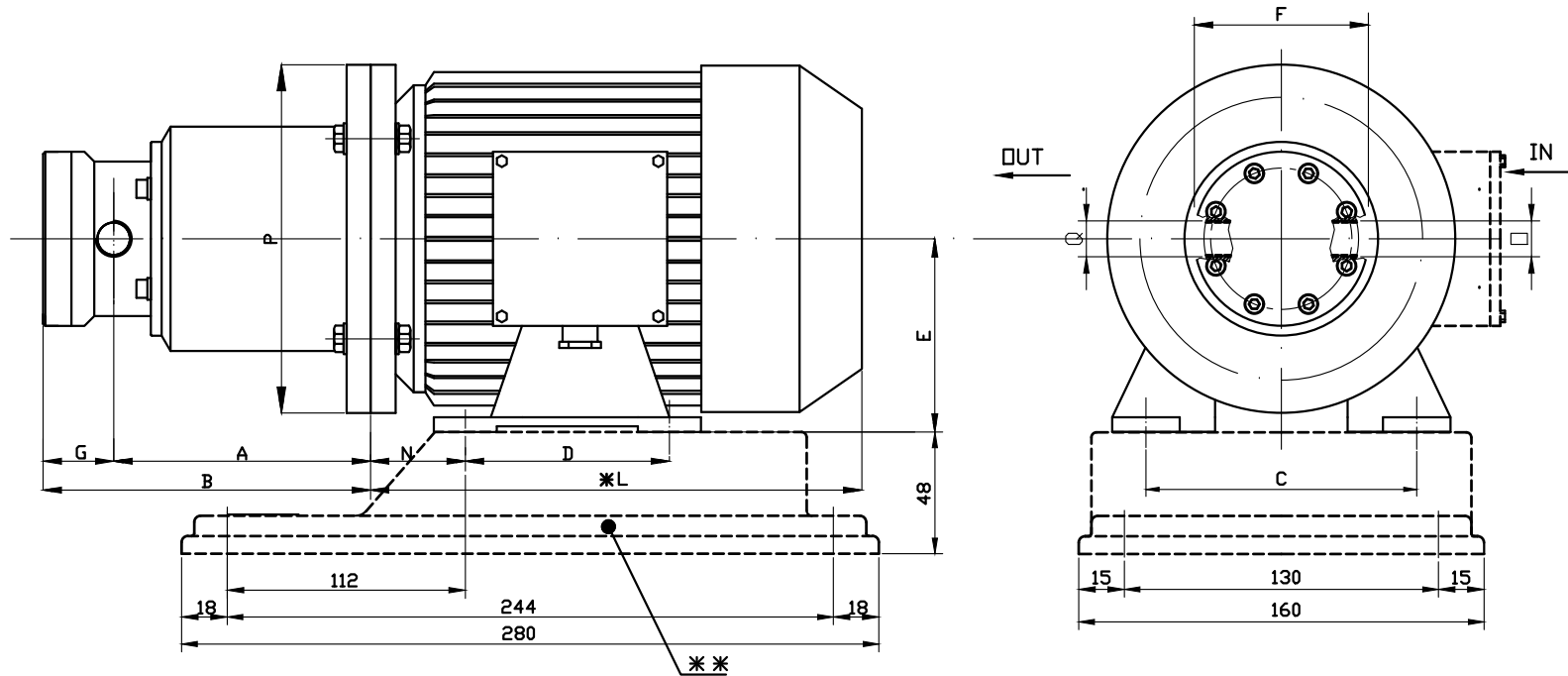


SECTION AND PARTS LIST/SEZIONE E LISTA PARTI



POS.	1	2	3	4	5	6	7	8	9	10	11	12	13	14
PART DESCR.	SET SCREWS	END COVER	O-RING	FLANGES STATOR VANES+PINS	ROTOR SHAFT	PUMP BODY	O-RING	O-RING	INTERNAL MAGNET	REAR CASING	EXTERNAL MAGNET	BRACKET	SET SCREWS	SET SCREWS
MAT.	AISI304	AISI316	EPDM VITON	GRAPHITE	AISI316	AISI316	EPDM VITON	EPDM VITON	AISI316	AISI316	C40+NdFeB	ALUMINIUM	AISI304	AISI304

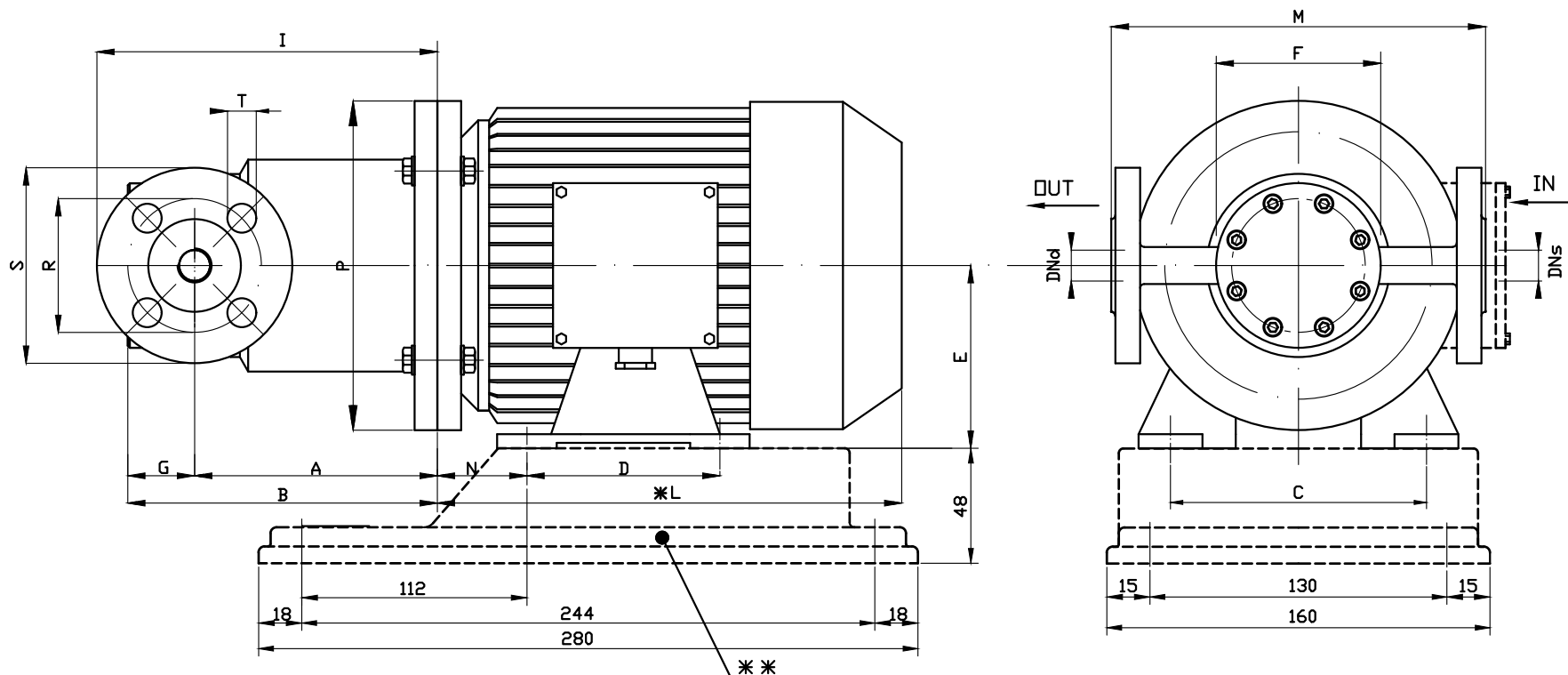
DIMENSIONS/DIMENSIONI D'INGOMBRO



PUMP TYPE	MOTOR FLANGE B3-B5	POT. Kw	DIMENSIONS - mm -											
			A	B	C	D	E	F	G	*L	N	O	P	Q
HTP 100-200-300-400 EM-P ... 1°R (ATEX)	G 71 4B	0.37	127	160	112	90	71	80	33	215	45	3/8"G.	160	3/8"G.

* Different according to the manufacturer / Diverso a seconda del fornitore
** OPTIONAL-UPON REQUEST/SU RICHIESTA: Baseplate/Piede d'appoggio - Flanges/Flange

DIMENSIONS/DIMENSIONI D'INGOMBRO



PUMP TYPE	MOTOR FLANGE B3-B5	POT. Kw	DIMENSIONS - mm -											FLANGES DIMENSIONS-mm DN15 - PN 40					
			A	B	C	D	E	F	G	I	*L	M	N	P	R	S	T	DNs	DNd
HTP 100-200-300-400 EM-P ... 1°R (ATEX)	G 71 4B	0.37	127	160	112	90	71	80	33	175	215	182	45	160	65	95	14	15	15

* Different according to the manufacturer / Diverso a seconda del fornitore

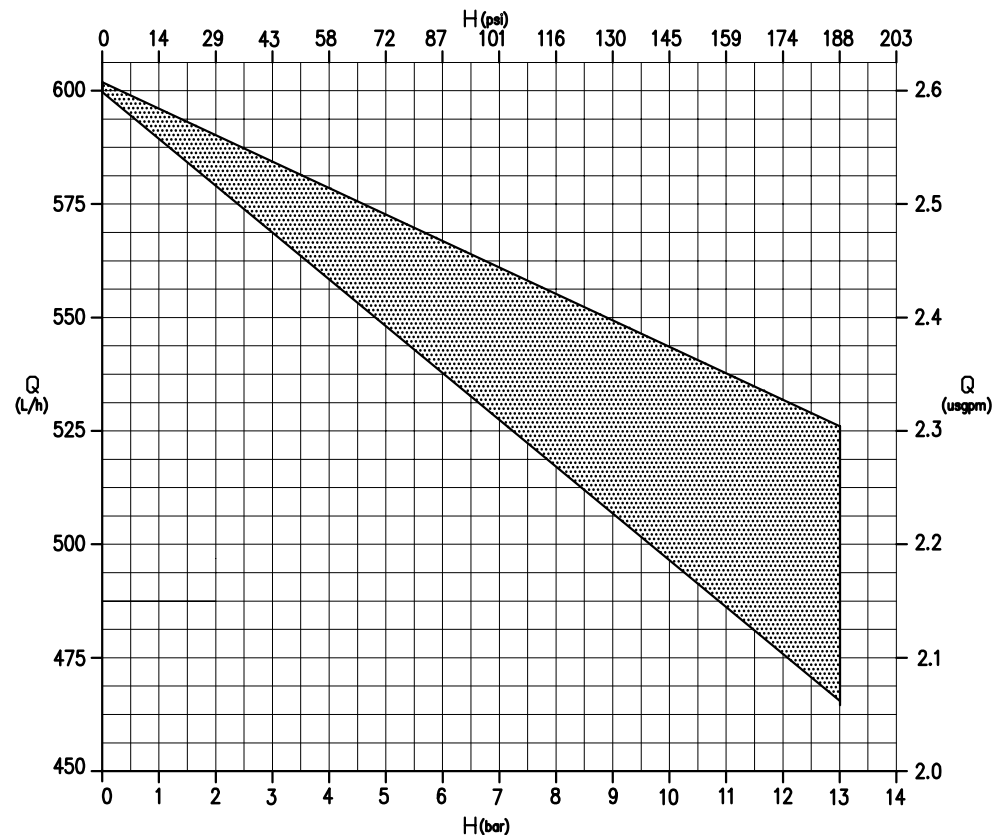
** OPTIONAL-UPON REQUEST/SU RICHIESTA: Baseplate/Piede d'appoggio

TECHNICAL DATA/DATI TECNICI

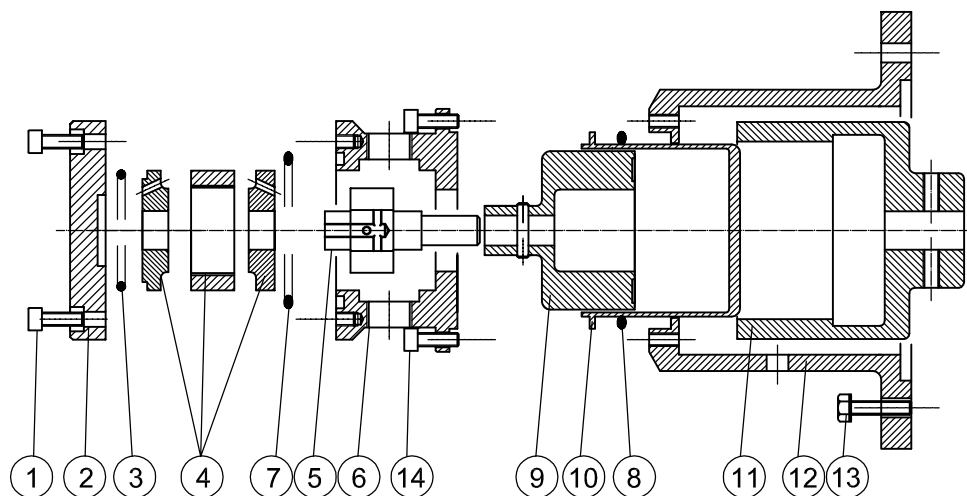
FEATURES/CARATTERISTICHE

Materials available/Materiali disponibili:	AISI 316
Max flow/Portata massima:	600 L/h
Max head/Prevalenza massima:	13 bar
Max temperature/Temperatura massima:	120°C
Max temp. HT version/T. massima versione HT:	200°C
Max viscosity/Viscosità massima:	2000 cPs
Pressure rating/Pressione nominale massima:	NP/PN 25 @ 20°C
Pump weight/Peso pompa:	8.1 kg
Motor weight/Peso motore (approx.):	0.75kW: 9 Kg
ATEX motor weight/Peso mot. ATEX (approx.):	0.75kW: 24 kg

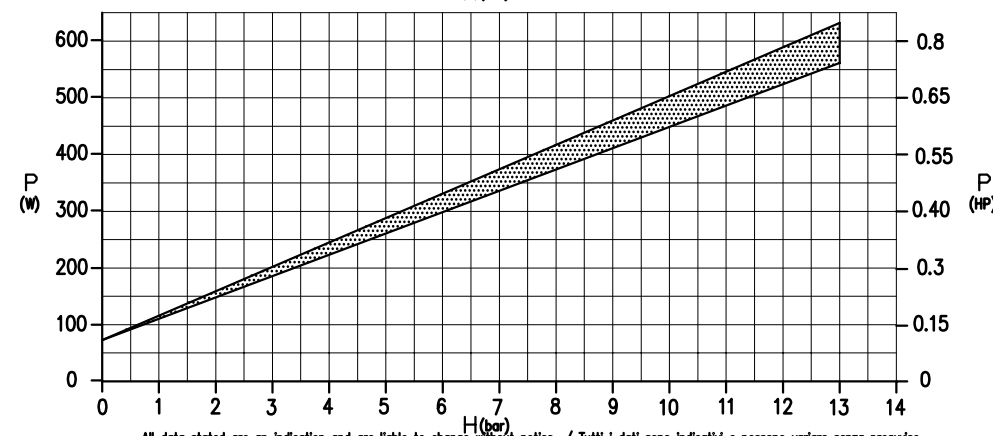
CURVES/CURVE 50HZ-1450 RPM



SECTION AND PARTS LIST/SEZIONE E LISTA PARTI



POS.	1	2	3	4	5	6	7	8	9	10	11	12	13	14
PART DESCR.	SET SCREWS	END COVER	O-RING	FLANGES STATOR VANES+PINS	ROTOR SHAFT	PUMP BODY	O-RING	O-RING	INTERNAL MAGNET	REAR CASING	EXTERNAL MAGNET	BRACKET	SET SCREWS	SET SCREWS
MAT.	AISI304	AISI316	EPDM VITON	GRAPHITE	AISI316	AISI316	EPDM VITON	EPDM VITON	AISI316	AISI316	C40+NdFeb	ALUMINIUM	AISI304	AISI304

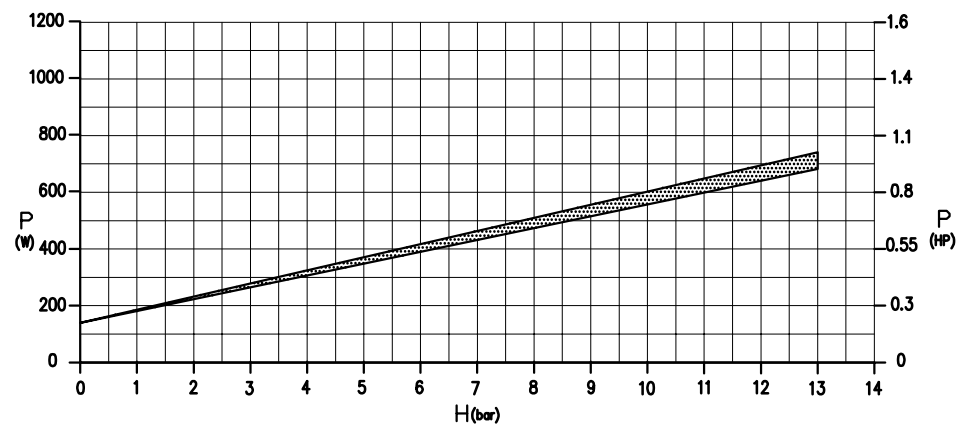
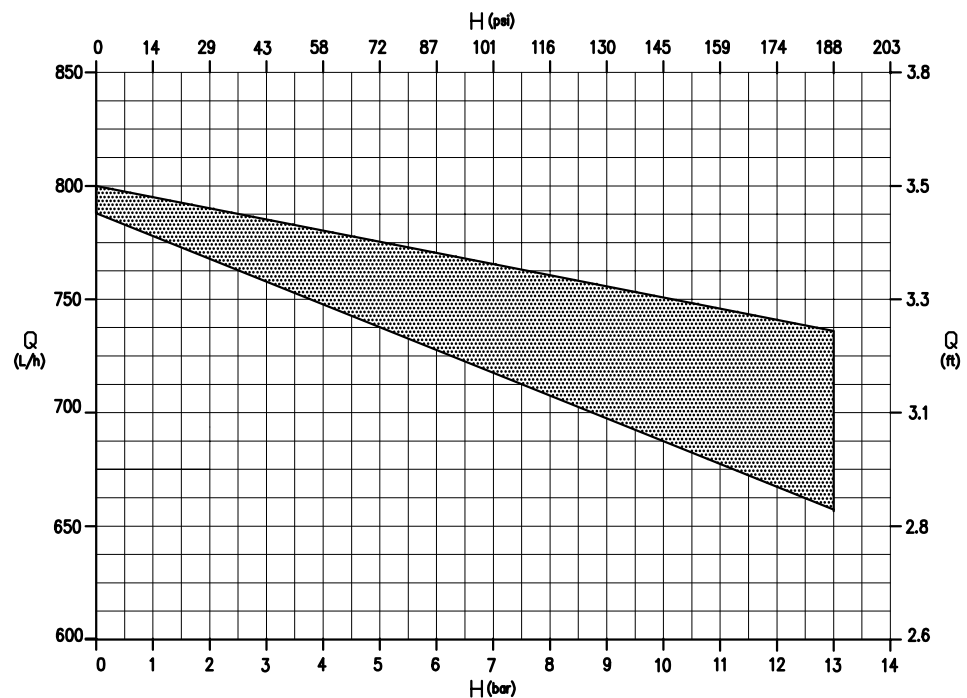


All data stated are an indication and are liable to change without notice / Tutti i dati sono indicativi e possono variare senza preavviso

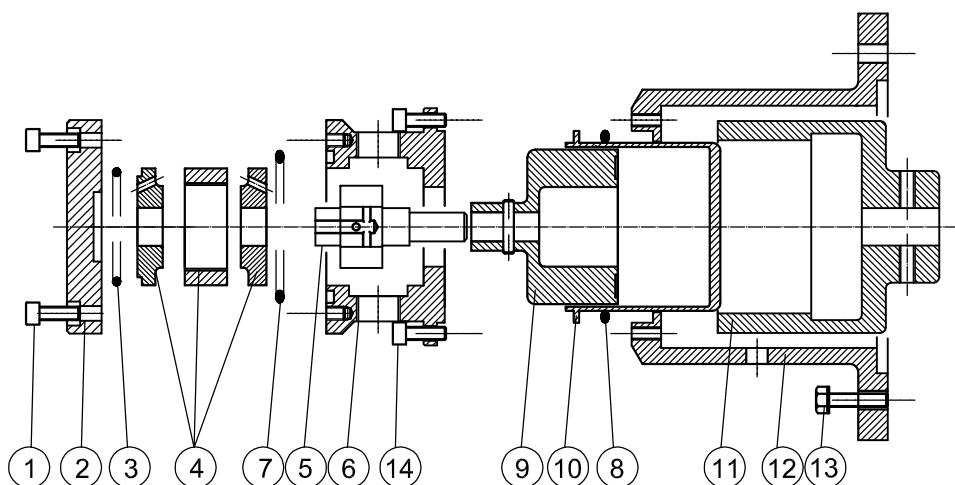
FEATURES/CARATTERISTICHE

Materials available/Materiali disponibili:	AISI 316
Max flow/Portata massima:	800 L/h
Max head/Prevalenza massima:	13 bar
Max temperature/Temperatura massima:	120°C
Max temp. HT version/T. massima versione HT:	200°C
Max viscosity/Viscosità massima:	2000 cPs
Pressure rating/Pressione nominale massima:	NP/PN 25 @ 20°C
Pump weight/Peso pompa:	8.1 kg
Motor weight/Peso motore (approx.):	0.75kW: 9 kg
ATEX motor weight/Peso mot. ATEX (approx.):	0.75kW: 24 kg

CURVES/CURVE 50HZ-1450 RPM

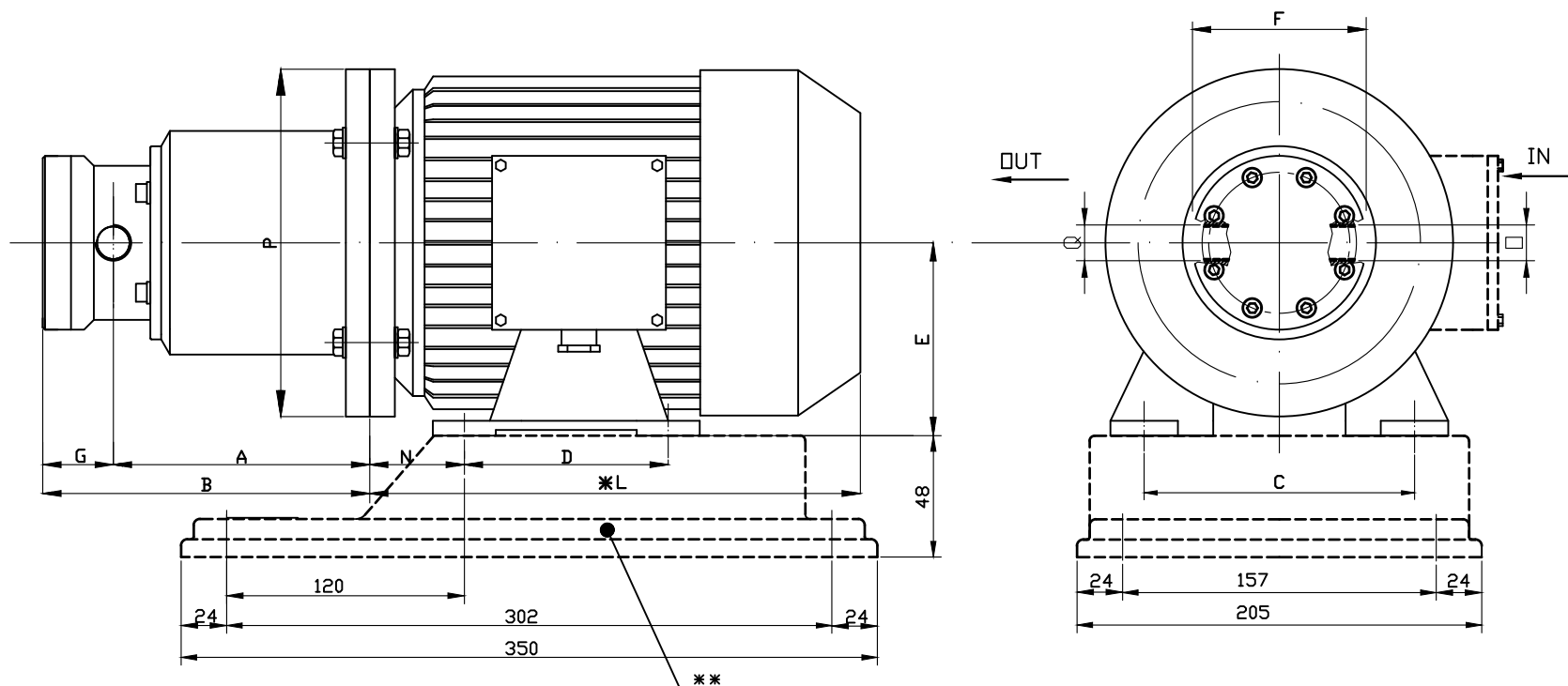


SECTION AND PARTS LIST/SEZIONE E LISTA PARTI



POS.	1	2	3	4	5	6	7	8	9	10	11	12	13	14
PART DESCR.	SET SCREWS	END COVER	O-RING	FLANGES STATOR VANES+PINS	ROTOR SHAFT	PUMP BODY	O-RING	O-RING	INTERNAL MAGNET	REAR CASING	EXTERNAL MAGNET	BRACKET	SET SCREWS	SET SCREWS
MAT.	AISI304	AISI316	EPDM VITON	GRAPHITE	AISI316	AISI316	EPDM VITON	EPDM VITON	AISI316	AISI316	C40+NdFeB	ALUMINIUM	AISI304	AISI304

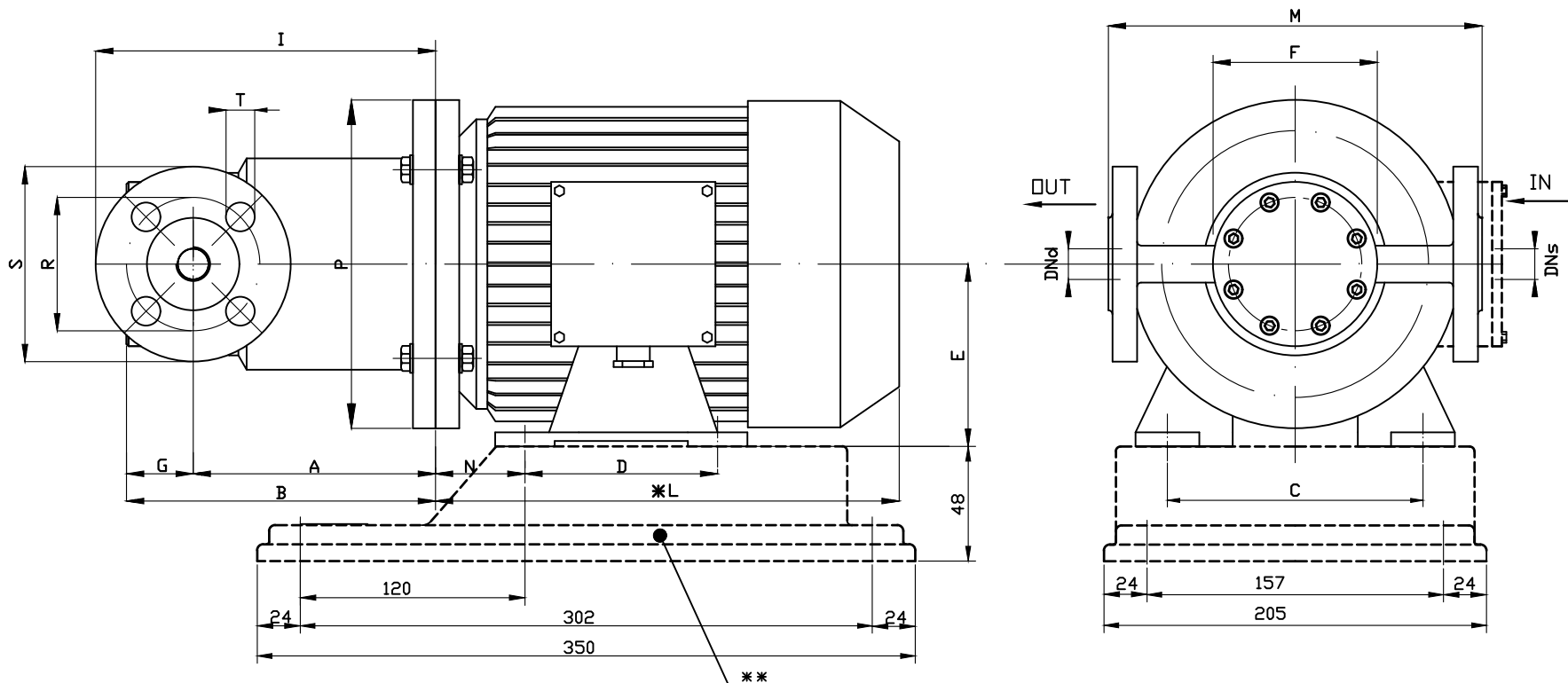
DIMENSIONS/DIMENSIONI D'INGOMBRO



PUMP TYPE	MOTOR FLANGE B3-B5	POT. Kw	DIMENSIONS - mm -											
			A	B	C	D	E	F	G	*L	N	O	P	Q
HTP 600-800 EM-P ... 2°R (ATEX)	G 80 4B	0.75	166	204	125	100	80	123	38	232	50	1/2"G.	200	1/2"G.

* Different according to the manufacturer / Diverso a seconda del fornitore
** OPTIONAL-UPON REQUEST/SU RICHIESTA: Baseplate/Piede d'appoggio - Flanges/Flange

DIMENSIONS/DIMENSIONI D'INGOMBRO



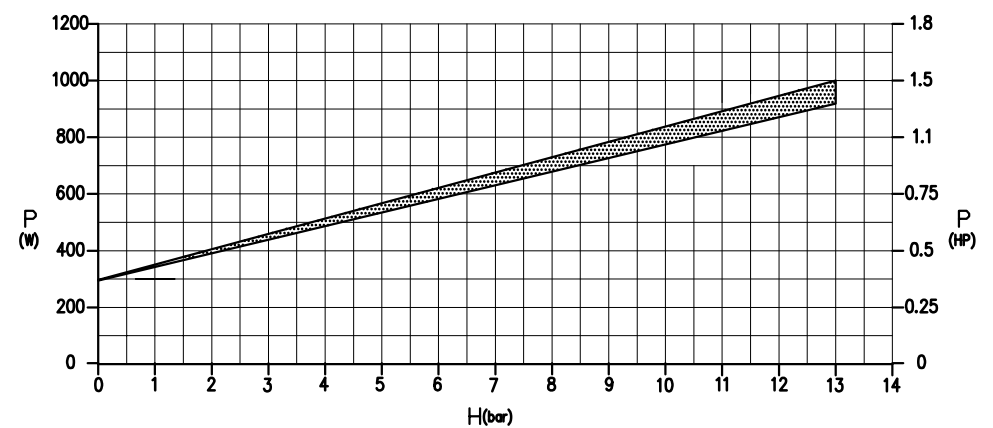
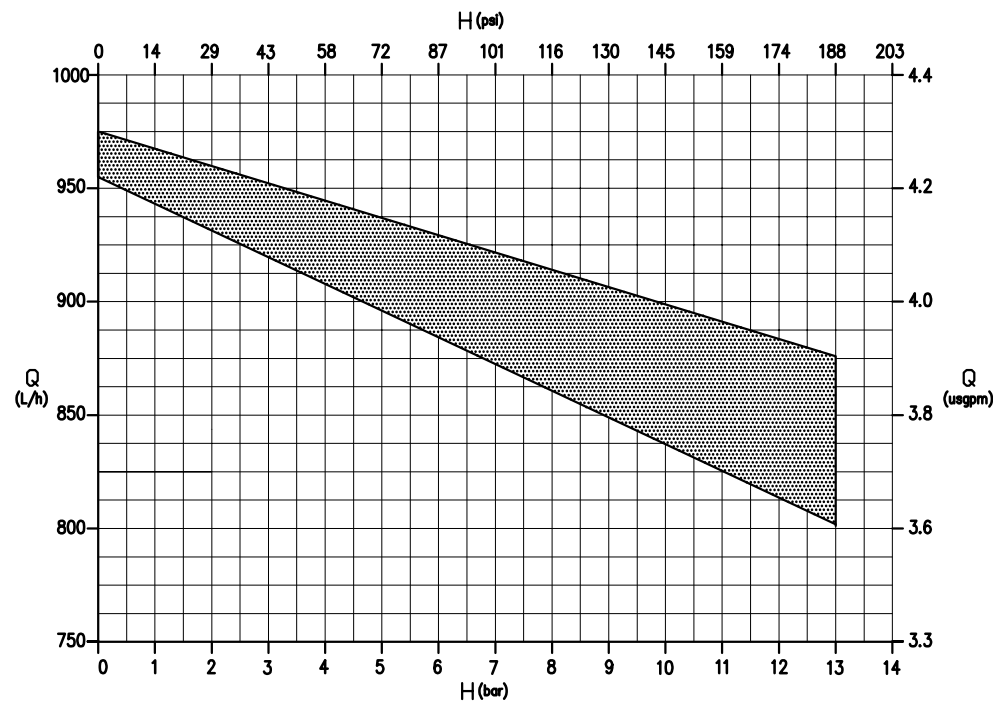
PUMP TYPE	MOTOR FLANGE B3-B5	POT. Kw	DIMENSIONS - mm -											** FLANGES DIMENSIONS-mm DN15 - PN 40					
			A	B	C	D	E	F	G	I	*L	M	N	P	R	S	T	DNs	DNd
HTP 600-800 EM-P ... 2°R (ATEX)	G 80 4B	0.75	166	204	125	100	80	123	38	218	232	194	50	200	75	105	14	20	20

* Different according to the manufacturer / Diverso a seconda del fornitore
** OPTIONAL-UPON REQUEST/SU RICHIESTA: Baseplate/Piede d'appoggio

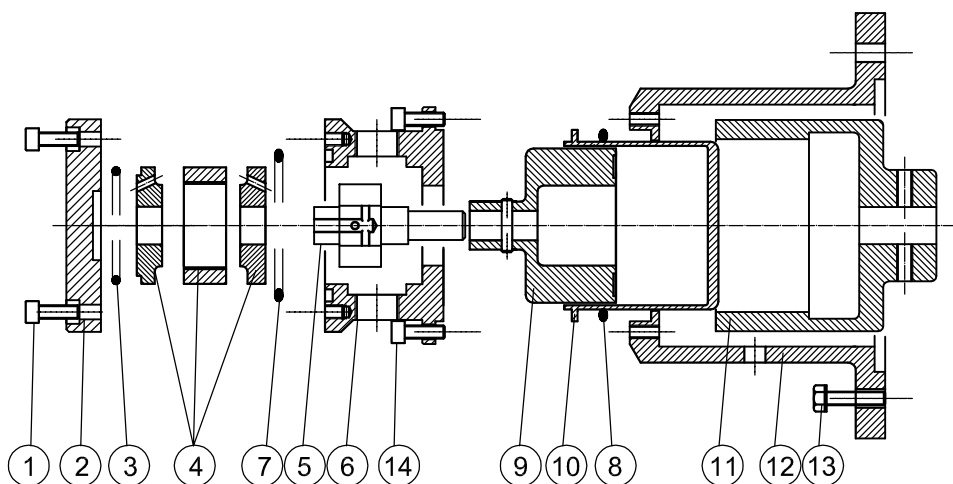
FEATURES/CARATTERISTICHE

Materials available/Materiali disponibili:	AISI 316
Max flow/Portata massima:	980 L/h
Max head/Prevalenza massima:	13 bar
Max temperature/Temperatura massima:	120°C
Max temp. HT version/T. massima versione HT:	200°C
Max viscosity/Viscosità massima:	2000 cPs
Pressure rating/Pressione nominale massima:	NP/PN 25 @ 20°C
Pump weight/Peso pompa:	8.1 kg
Motor weight/Peso motore (approx.):	1.5kW: 13 kg
ATEX motor weight/Peso mot. ATEX (approx.):	1.5kW: 31.5 kg

CURVES/CURVE 50HZ-1450 RPM

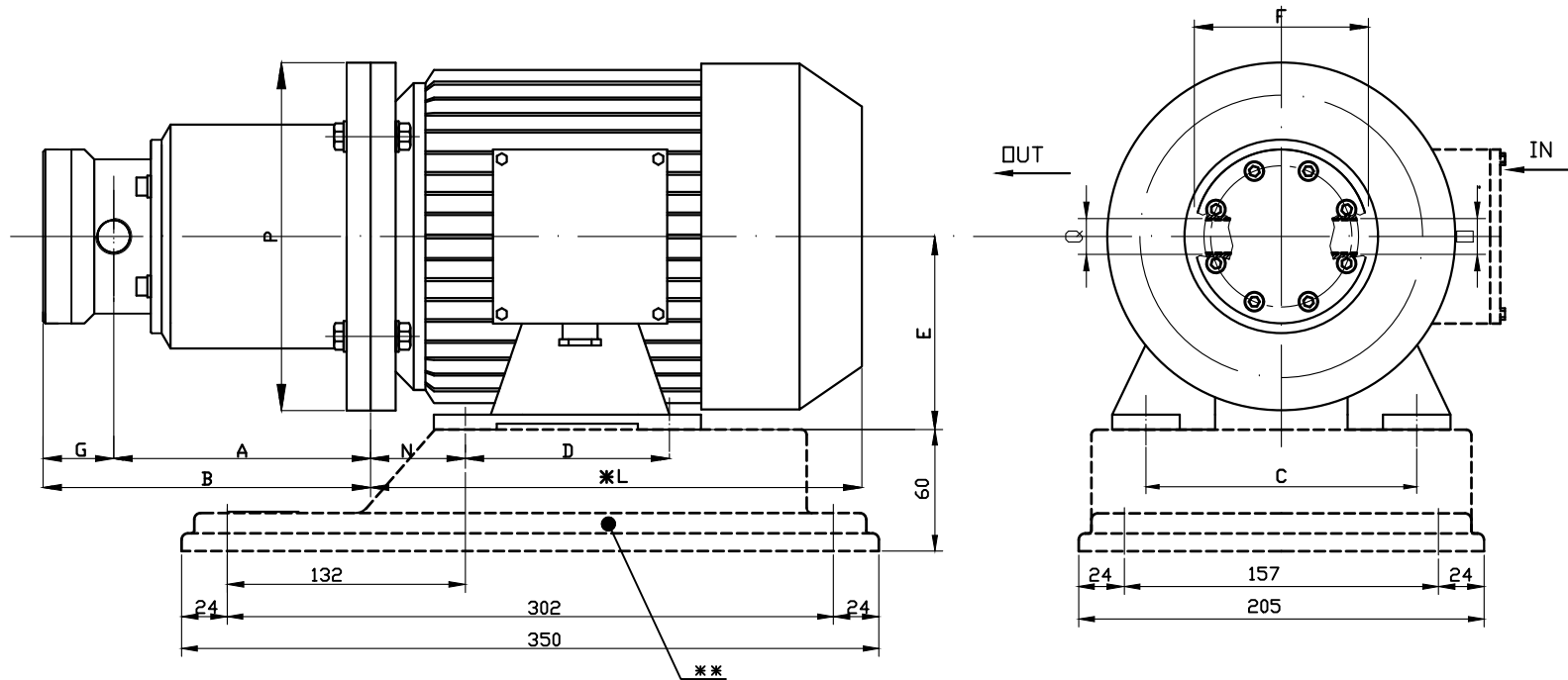


SECTION AND PARTS LIST/SEZIONE E LISTA PARTI



POS.	1	2	3	4	5	6	7	8	9	10	11	12	13	14
PART DESCR.	SET SCREWS	END COVER	O-RING	FLANGES STATOR VANES+PINS	ROTOR SHAFT	PUMP BODY	O-RING	O-RING	INTERNAL MAGNET	REAR CASING	EXTERNAL MAGNET	BRACKET	SET SCREWS	SET SCREWS
MAT.	AISI304	AISI316	EPDM VITON	GRAPHITE	AISI316	AISI316	EPDM VITON	EPDM VITON	AISI316	AISI316	C40+NdFeb	ALUMINIUM	AISI304	AISI304

DIMENSIONS/DIMENSIONI D'INGOMBRO



PUMP TYPE	MOTOR FLANGE B3-B5	POT. Kw	DIMENSIONS - mm -											
			A	B	C	D	E	F	G	✳L	N	O	P	Q
HTP 1000 2°R SS316 EM-P 1000 SS316 2°R (ATEX)	G 90 L4	1.5	176	214	140	125	90	123	38	280	56	1/2" G.	200	1/2" G.

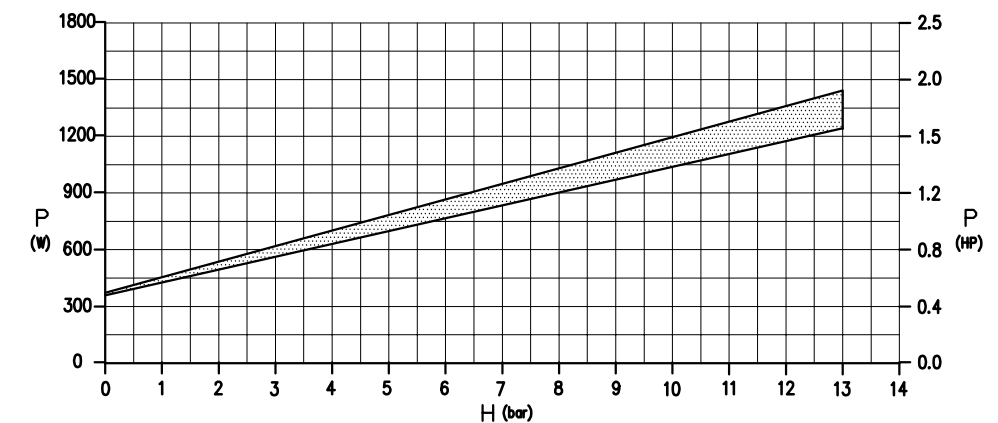
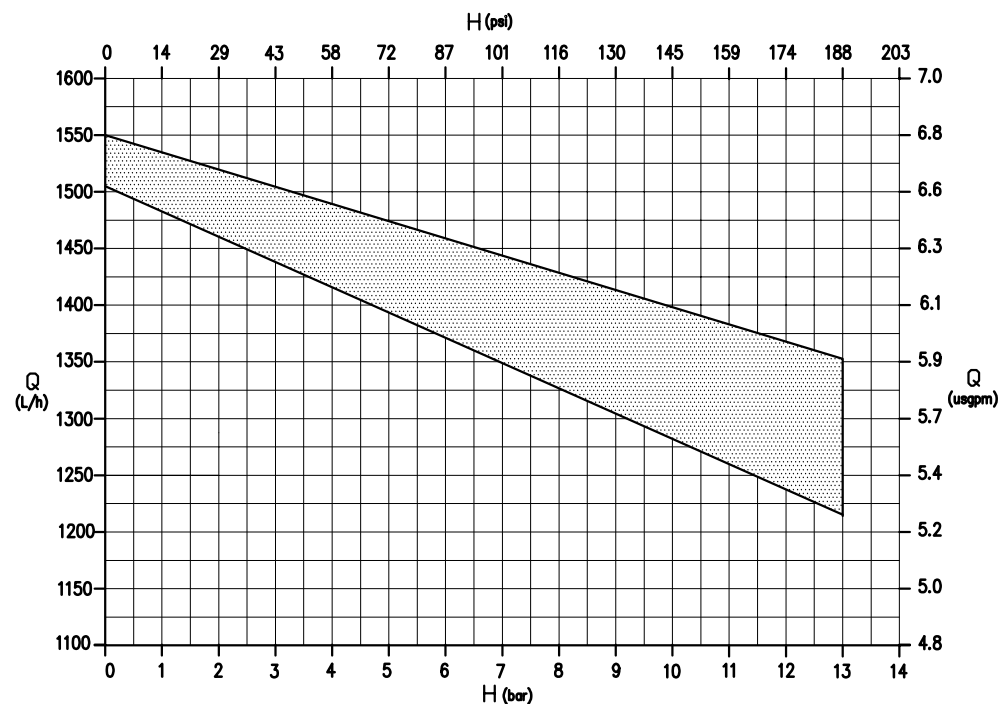
* Different according to the manufacturer / Diverso a seconda del fornitore
 ** OPTIONAL-UPON REQUEST/SU RICHIESTA: Baseplate/Piede d'appoggio - Flanges/Flange

TECHNICAL DATA/DATI TECNICI

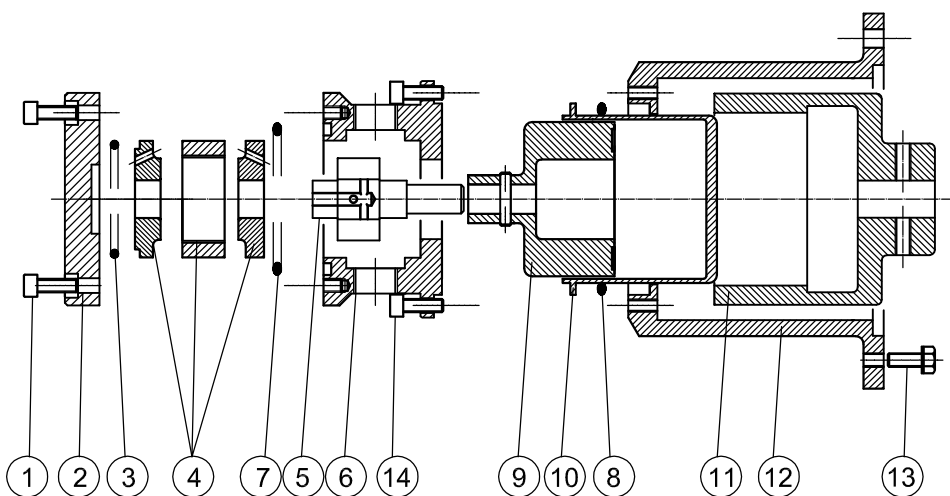
FEATURES/CARATTERISTICHE

Materials available/Materiali disponibili:	AISI 316
Max flow/Portata massima:	1500 L/h
Max head/Prevalenza massima:	13 bar
Max temperature/Temperatura massima:	120°C
Max temp. HT version/T. massima versione HT:	200°C
Max viscosity/Viscosità massima:	2000 cPs
Pressure rating/Pressione nominale massima:	NP/PN 25 @ 20°C
Pump weight/Peso pompa:	22.6 kg
Motor weight/Peso motore (approx.):	1.5kW: 13 kg
ATEX motor weight/Peso mot. ATEX (approx.):	1.5kW: 31.5 kg

CURVES/CURVE 50HZ-1450 RPM



SECTION AND PARTS LIST/SEZIONE E LISTA PARTI



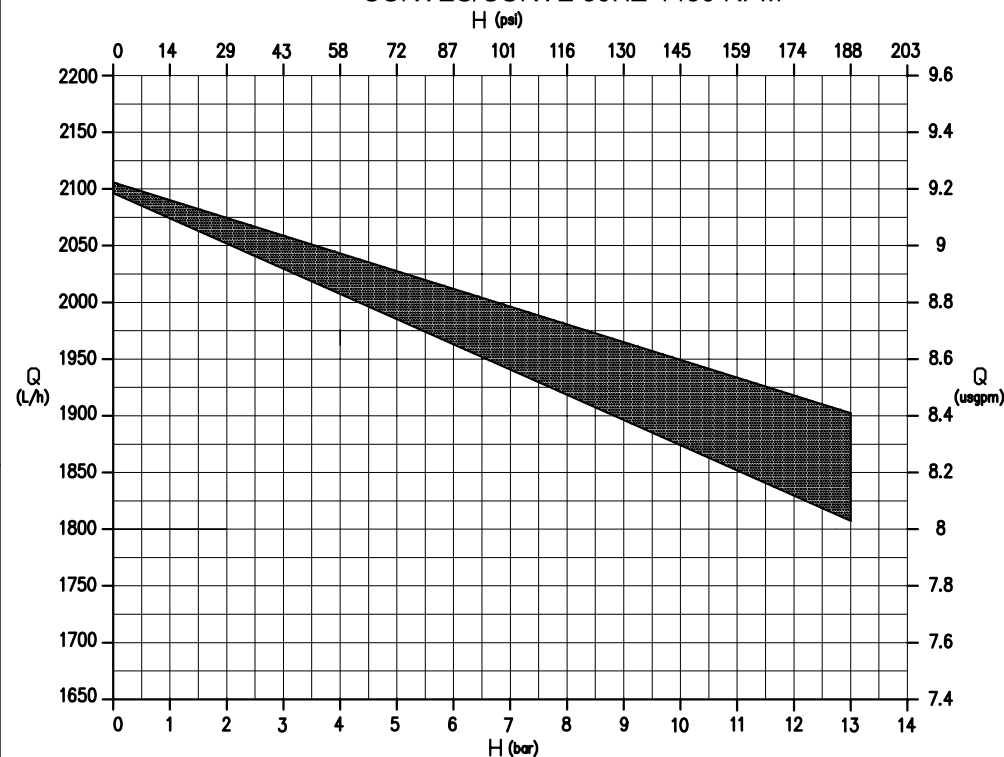
POS.	1	2	3	4	5	6	7	8	9	10	11	12	13	14
PART DESCR.	SET SCREWS	END COVER	O-RING	FLANGES STATOR VANES+PINS	ROTOR SHAFT	PUMP BODY	O-RING	O-RING	INTERNAL MAGNET	REAR CASING	EXTERNAL MAGNET	BRACKET	SET SCREWS	SET SCREWS
MAT.	AISI304	AISI316	EPDM VITON	GRAPHITE	AISI316	AISI316	EPDM VITON	EPDM VITON	AISI316	AISI316	C40+NdFe	ALUMINIUM	AISI304	AISI304

TECHNICAL DATA/DATI TECNICI

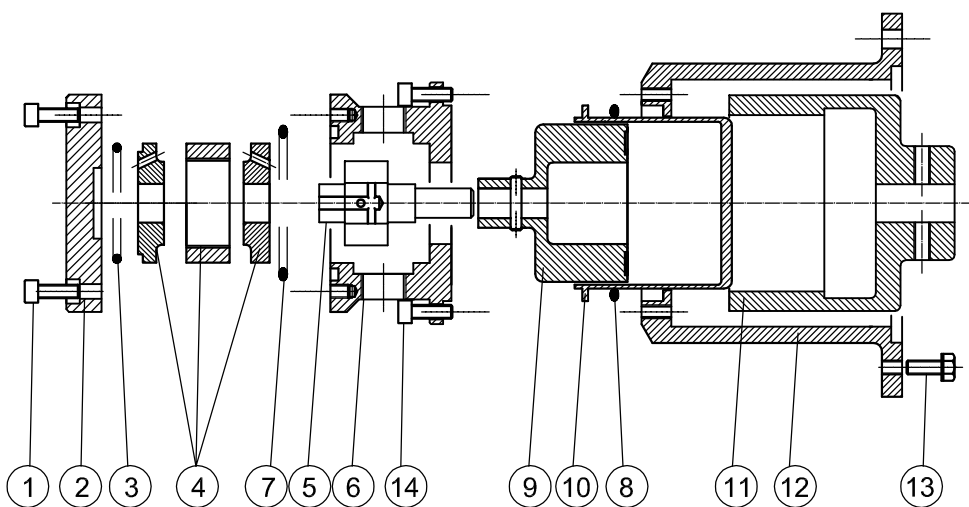
FEATURES/CARATTERISTICHE

Materials available/Materiali disponibili:	AISI 316
Max flow/Portata massima:	2100 L/h
Max head/Prevalenza massima:	13 bar
Max temperature/Temperatura massima:	120°C
Max temp. HT version/T. massima versione HT:	200°C
Max viscosity/Viscosità massima:	2000 cPs
Pressure rating/Pressione nominale massima:	NP/PN 25 @ 20°C
Pump weight/Peso pompa:	22.6 kg
Motor weight/Peso motore (approx.):	2.2kW: 23 kg
ATEX motor weight/Peso mot. ATEX (approx.):	2.2kW: 44 kg

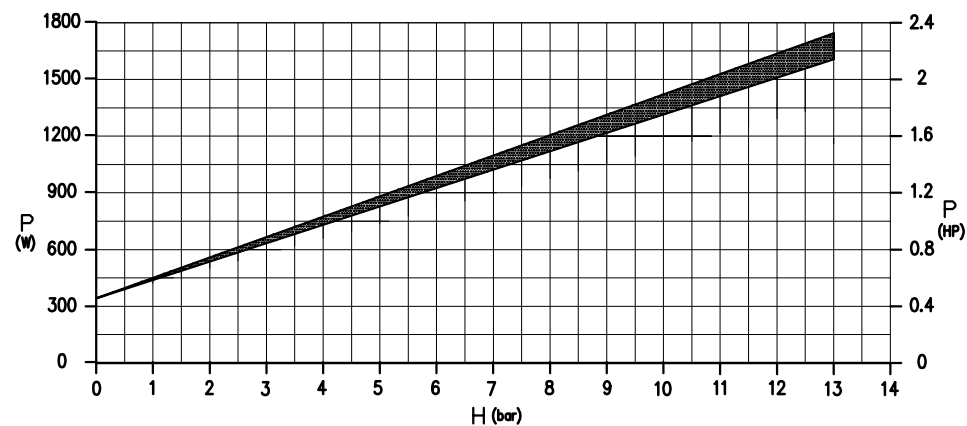
CURVES/CURVE 50HZ-1450 RPM



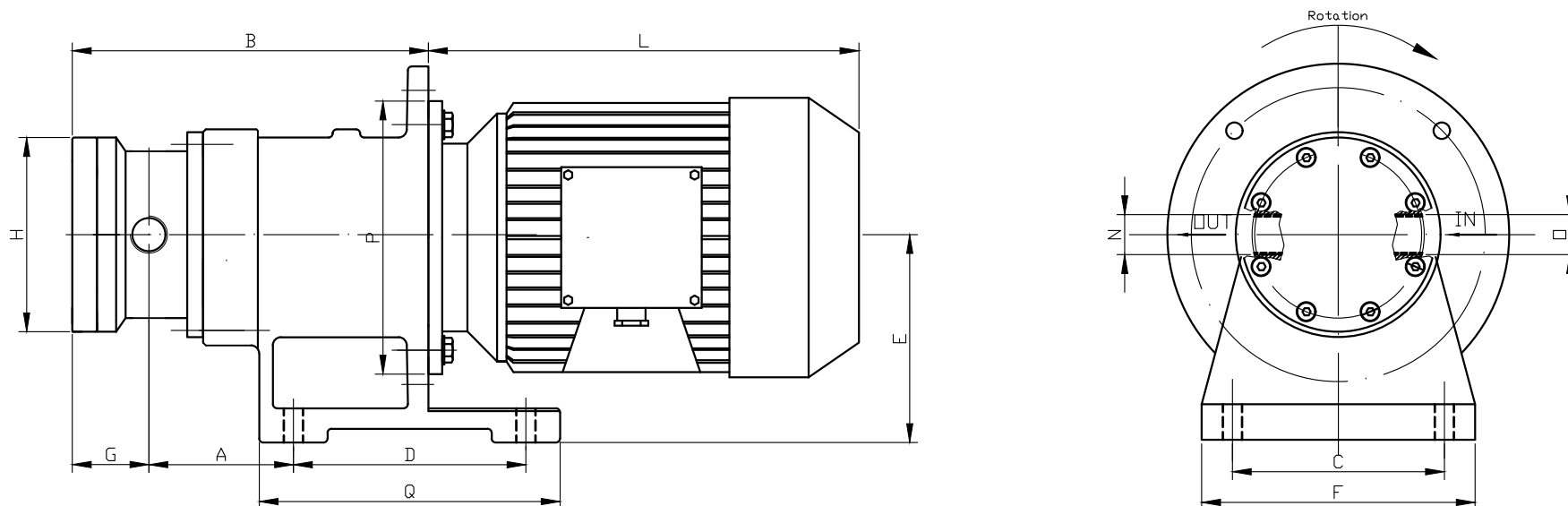
SECTION AND PARTS LIST/SEZIONE E LISTA PARTI



POS.	1	2	3	4	5	6	7	8	9	10	11	12	13	14
PART DESCR.	SET SCREWS	END COVER	O-RING	FLANGES STATOR VANES+PINS	ROTOR SHAFT	PUMP BODY	O-RING	O-RING	INTERNAL MAGNET	REAR CASING	EXTERNAL MAGNET	BRACKET	SET SCREWS	SET SCREWS
MAT.	AISI304	AISI316	EPDM VITON	GRAPHITE	AISI316	AISI316	EPDM VITON	EPDM VITON	AISI316	AISI316	C40+NdFeB	ALUMINIUM	AISI304	AISI304



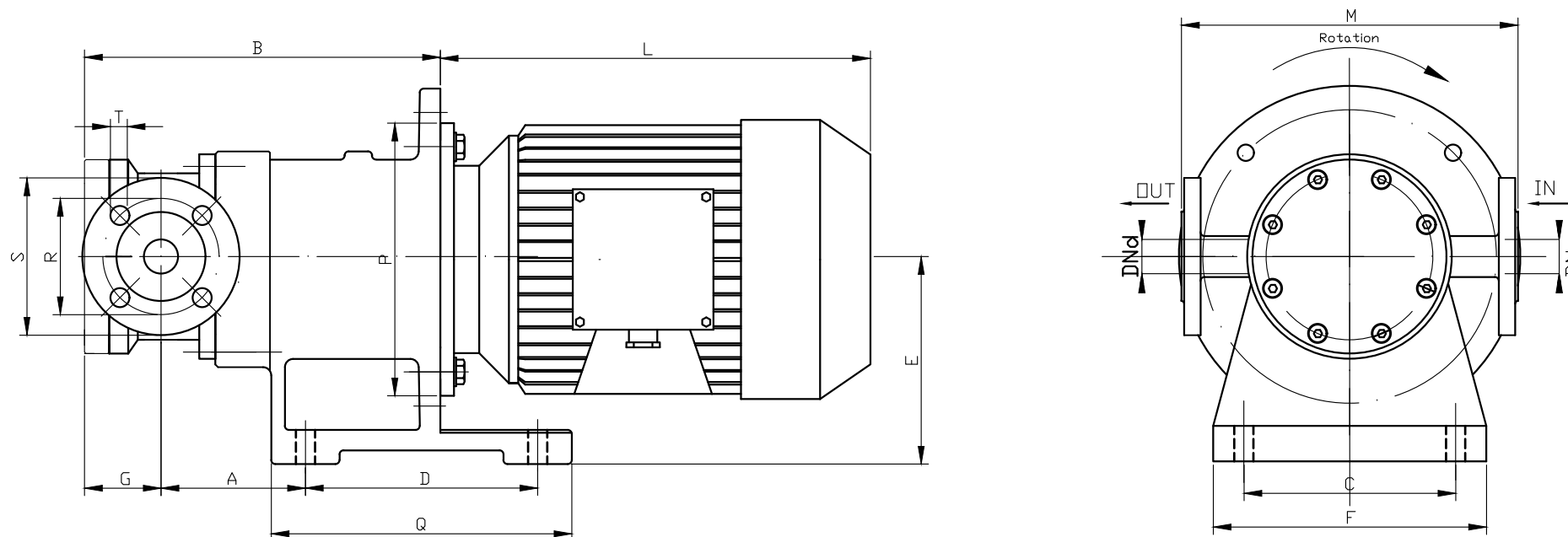
DIMENSIONS/DIMENSIONI D'INGOMBRO



PUMP TYPE	MOTOR FLANGE B5	POT. Kw	DIMENSIONS - mm -												
			A	B	C	D	E	F	G	H	~ L	N	O	P	Q
HTP 1500 3°R SS316 EM-P 1500 SS316 3°R (ATEX)	90 L	1.5	106	260	155	170	150	200	56	142	280	3/4" G.	3/4" G.	200	220
HTP 2000 3°R SS316 EM-P 2000 SS316 3°R (ATEX)	90 L	1.5		316							250				
	100L	2.2		280							250				
		3													
	112M	4													

* Different according to the manufacturer / Diverso a seconda del fornitore
** OPTIONAL-UPON REQUEST/SU RICHIESTA: Flanges/Flange

DIMENSIONS/DIMENSIONI D'INGOMBRO



PUMP TYPE	MOTOR FLANGE B5	POT. Kw	DIMENSIONS - mm -										FLANGES DIMENSIONS-mm DN25 - PN 40				
			A	B	C	D	E	F	G	~ L	M	P	Q	R	S	T	DNs
HTP 1500 3°R SS316 EM-P 1500 SS316 3°R (ATEX)	90 L	1.5	106	260	155	170	150	200	56	280	246	220	85	115	14	25	25
HTP 2000 3°R SS316 EM-P 2000 SS316 3°R (ATEX)	90 L	1.5		316						250							
	100L	2.2 3		280													
	112M	4		334													

* Different according to the manufacturer / Diverso a seconda del fornitore