

# SENTRY CWMS COOLING WATER SKIDS

## Cooling Water Skids

### SAMPLE CONDITIONING

Water temperature variation can cause major problems with sample cooling. However, the flow of cooling water may be insufficient due to low source pressure or excess pressure drop in the supply piping. Seasonal temperature variation of plant service water also affects sample temperature stability and analyzer readings. A Sentry® CWMS cooling water mixing skid can solve these issues.

The CWMS cooling water mixing skid provides secondary sample cooling without a mechanical chiller. It maintains a constant temperature in the cooling water loop to the sample coolers using available cold or chilled water and minimizing water usage or well water sources.

### MODELS

CWMS-35 | CWMS-80 | CWMS-140

### BENEFITS

The CWMS cooling water mixing skid features a recirculating water pump that consists of a centrifugal pump with a direct connected three-phase TEFC motor. Pumps are provided with inlet and outlet isolation valves and unions/flanges to facilitate pump maintenance.

Its temperature control consists of an electronic controller and modulating ball valve capable of control within  $\pm 1^\circ\text{F}$  ( $0.5^\circ\text{C}$ ). The controller has digital indication of the controller set point and fluid temperature.

A makeup water connection line is sized to handle the entire recirculating water flow rate. A manual isolation valve is provided for periods when the system is not operated.

### FEATURES

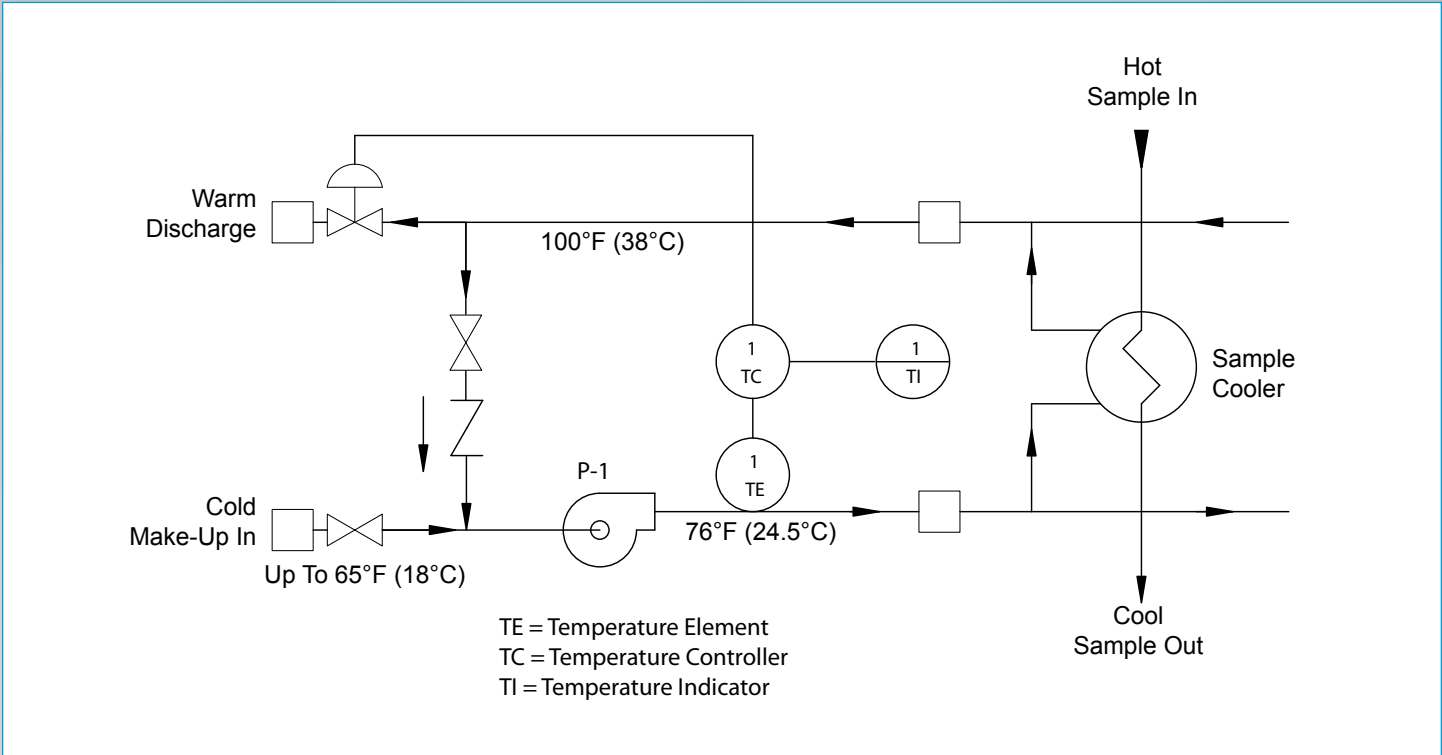
- Uses existing chilled water sources
- Minimizes water usage or well water
- Three-phase connection with internal step down control transformer
- NEMA 4X enclosure with disconnect
- Indicating lights for 'Power On', 'Pump On' and 'Pump Off'
- Includes pump selector switch, flow switch, check valves at the pump discharge and time delay relay

### OPTIONS

- Manual controlled dual pumps
- Dual pumps with automatic switch-over on loss of flow
- Oversized makeup and discharge lines and valves for systems with high temperature makeup water



Sample. Monitor. Measure.  
**SENTRY**  
Any Application. Anywhere.



SPECIFICATIONS				
model	recirculating flow gpm	pump hp	connection sizes	
			recirculating water	makeup and discharge
CWMS-35	35	2	1-1/2 in NPT	1 in NPT
CWMS-80	80	3	2 in NPT	2 in NPT
CWMS-140	140	5	2-1/2 in 150 lb RF flange	3 in 150 lb RF flange

Recirculating flow rates are based upon an external pressure drop of 20 psi (1.4 bar)  
 Optional 110-volt single-phase motor available

[sentry-equip.com](http://sentry-equip.com)

966 Blue Ribbon Circle North, Oconomowoc, WI 53066 U.S.A. | +1-262-567-7256 | [sales@sentry-equip.com](mailto:sales@sentry-equip.com)



© 2017 Sentry Equipment Corp. All rights reserved. All product and company names are property of their respective owners. It is solely the responsibility of end users, through their own testing and analysis, to select products and materials suitable for their specific application requirements, ensure they are properly installed, safely applied and properly maintained, and to limit their use to their intended purpose. Improper selection, installation or use may result in personal injury or property damage.

S-SW-SPS-00151-4 11-17

COMPANY WITH  
 QUALITY SYSTEM  
 CERTIFIED BY DNV GL  
 = ISO 9001 =