



Gas



Liquid & Slurry



Solid & Powder



Steam & Water

# SENTRY CPS SAMPLER

## Corrosion Samplers

### CORROSION MONITORING

The control and prevention of corrosion are primary concerns of water chemists in the power plant. Left uncontrolled, corrosion can result in serious equipment failures. Of equal importance, the deposit of corrosion products in the turbine or boiler can significantly reduce both capacity and efficiency of the plant.

The Sentry® Corrosion Products Sampler (CPS) is a discrete module which can be mounted in a central sample panel or as a stand-alone unit at the sample source.

Since corrosion is a dynamic process, it is difficult to get a representative sample by normal grab sample methods. An integrated sampler is required that uses filters to collect a continuous sample over a period of time. The amount of corrosion products that are captured by the filters then can be measured. A particulate filter is used to collect undissolved matter, while dissolved matter can be collected via special cation and anion filters.

#### MODELS

CPS-10A – Single stream; no sample cooler; A/C power only

CPS-10B – Single stream; no sample cooler; A/C or battery power

CPS-11A – Single stream with sample cooler; A/C power only

CPS-11B – Single stream with sample cooler; A/C or battery power

#### BENEFITS

Major components include an easy-to-use, high pressure filter holder capable of containing a particulate filter, plus a combination of cation and anion filters, and a digital totalizing meter designed for high accuracy at very low flow rates.

The unit can run either on AC power or remotely with an optional three-month-capacity battery. When the unit is plugged into an AC outlet, the battery is charged.

The standard CPS is designed for portability so it easily can be moved around the plant to conduct studies of corrosion product generation and transport within the system.

#### FEATURES

- New electronic totalizer allows reset to zero
- Easy-to-use filter holder
- Measure effectiveness of chemical treatment
- Identify sludge traps where corrosion products accumulate
- Bypass capability allows isokinetic sample flow rates

#### AVAILABLE OPTIONS

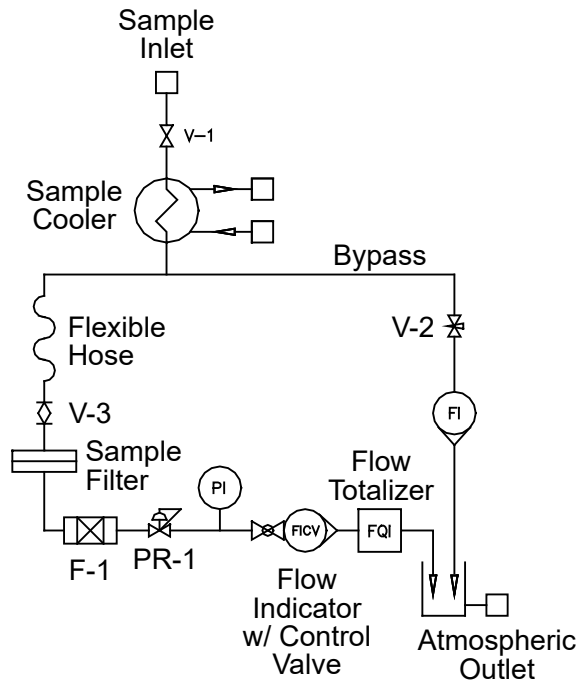
- Panel mount or free-standing enclosure
- Sample cooling
- Speed loop (bypass circuit to maintain velocity through sample line)
- Multiple modules in one enclosure
- Pressure reduction before the sampler
- Higher pressure ratings



Sample. Monitor. Measure.

# SENTRY

Any Application. Anywhere.



### SPECIFICATIONS

maximum inlet pressure	2850 psig (197 bar) standard; contact company for higher pressure ratings
maximum sample temperature	131°F (55°C) without sample cooler
sample flow range	50 to 500 cc/min
bypass flow range	up to 1800 cc/min
wetted materials	316 SS, PTFE, Viton
maximum back pressure	atmospheric
dimensions	12 x 13 x 22 in (30.5 x 33 x 56 cm)
electrical	90–264 VAC, 47–63 Hz, 10 A maximum
battery	run-time approximately three months (based on continuous usage with new, fully charged battery)

[sentry-equip.com](http://sentry-equip.com)

966 Blue Ribbon Circle North, Oconomowoc, WI 53066 U.S.A. | +1-262-567-7256 | [sales@sentry-equip.com](mailto:sales@sentry-equip.com)

© 2017 Sentry Equipment Corp. All rights reserved. All product and company names are property of their respective owners. It is solely the responsibility of end users, through their own testing and analysis, to select products and materials suitable for their specific application requirements, ensure they are properly installed, safely applied and properly maintained, and to limit their use to their intended purpose. Improper selection, installation or use may result in personal injury or property damage.

S-SW-SPS-00150-13 3-17



COMPANY WITH  
QUALITY SYSTEM  
CERTIFIED BY DNV GL  
= ISO 9001 =