

Small Size – Alloys

XM/XT-700 Series Combines Durability of Metal With a Compact Design for Restricted Spaces

Your most complete line of small, metal liquid level sensors...all from Gems Sensors.

- ▶ Stainless Steel or Brass Mountings and Stems
- ▶ 4mm Resolution
- ▶ Indicating Length to 14" (356 mm); Stem Length to 20" (508 mm)

Designed for the needs of the OEM, XM/XT-700 Series transmitters are the ideal level sensor for shallow tanks and reservoirs. These compact units feature the rugged durability of stainless steel or brass construction in a lightweight package for continuous level indication. Ideal for tanks less than 2 feet deep.

XM/XT-700 Series transmitters are exceptionally versatile because of the many configurable options available.

ORDER IT!
 Ordering is Easy! See Page C-8.
 Easy online ordering too!

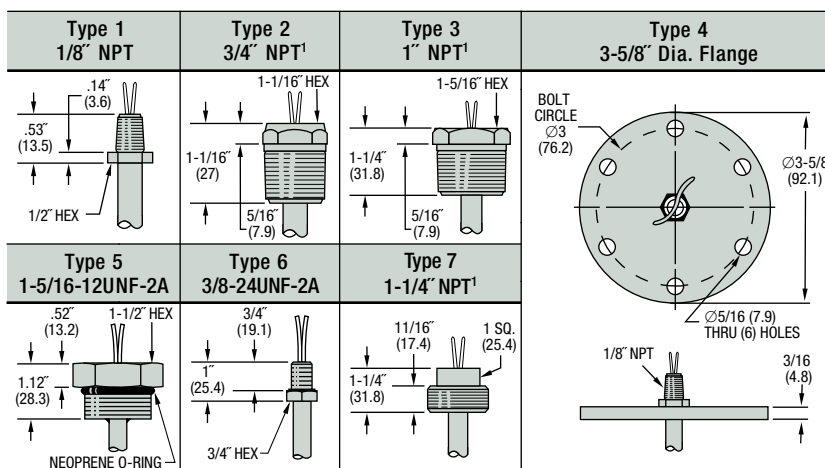


LEVEL SENSORS – CONTINUOUS

1. Mounting Types

Each mounting type can be configured with stem lengths (L_0) and float material indicated in this table.

Note: Sanitary flange mountings are also available, but not shown. Please contact factory.



Dimensions expressed as: inches (millimeters)

Stem and Mounting Material	Brass or 316 Stainless Steel	
Max Length	20" (508 mm)	
Mounting Position	Vertical $\pm 30^\circ$ Inclination	
Float Stops ²	Brass Units: Beryllium Copper Grip Rings; Stainless Steel Units: S.S. ARMCO PH-15-7MO Grip Rings	
Pressure Rating, PSI, Max. ³	See Float Value on Following Page	50

Notes: 1. Mounting Types 2, 3, 4, 5 & 7 are available with a 1/2" MNPT conduit adaptor. This option can be selected on the checklist.
 2. In some instances, concentrations of chlorine and other corrosive compounds in the media require the use of collar type float stops. Consult factory for details.
 3. Mounting only. Maximum pressure rating for complete unit will be the lower of this pressure or the selected float pressure (see Float Types, on next page).

Mounting Options and Float Selection on following pages.

2. Float Types

	Polypropylene		
Float Materials	Hollow	Foamed	Molded
Compatible Mounting Types	1, 3, 4, 5, 6, 7	1, 3, 4, 5, 6, 7	1, 2, 3, 4, 5, 6, 7
Float Dimensions			
Part Number	259125	119455	231500
Operating Temperature	-40°F to +221°F (-40°C to +105°C)	-40°F to +221°F (-40°C to +105°C)	-40°F to +200°F (-40°C to +95°C)
Pressure, PSI, Max.	50	250	Atmospheric
Min. Liquid Specific Gravity	0.65	0.90	0.95

	Buna N	Polysulfone	316/316L SS
Compatible Mounting Types	1, 3, 4, 5, 6, 7	1, 3, 4, 5, 6, 7	1, 3, 4, 5, 6, 7
Float Dimensions			
Part Number	245900	39005	258260
Operating Temperature	Water: to 180°F (82.2°C) Oil: -40°F to +221°F (-40°C to +105°C)	-40°F to +221°F (-40°C to +105°C)	-40°F to +257°F (-40°C to +125°C)
Pressure, PSI, Max.	300*	50	275
Min. Liquid Specific Gravity	0.45	0.75	0.85

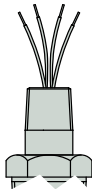
* De-rated with temperature.

Dimensions expressed as: inches (millimeters)

Options

Conduit Adapter

A 1/2" MNPT conduit is available for Mounting Type 2, 3, 4, 5 & 7. Select from list of options on the Check List.



Also Available

XM/XT-750 Combination Siphon and Level Transmitter

Contact Gems for more details. **800-378-1600**

<p>FAX IT! 860-747-4244</p> <p>Photocopy This Form Use one form for each product type you are selecting.</p> <p><small>This form may also be completed online at gemssensors.com for RFQ.</small></p>	<p>This is a Request for a Quote Name _____ Order P.O. _____ Company _____</p> <p>Quantity Needed _____ Street _____</p> <p>Date Required ____/____/____ City _____ State ____ Zip _____</p> <p>Shipping Method: _____ Phone (_____) _____</p> <p>Partials Accepted: Yes _____ No _____ Fax (_____) _____</p>
---	---

XM/XT-700 Types Custom Length Float Type Level Transmitters

Application Environmental Conditions

This information is essential to the accurate and proper operation of your GEMS configurable sensor. Please complete fully and accurately before ordering.

- | | |
|---|---|
| <p>1. Liquid Media: _____</p> <p>2. Pressure: Minimum _____ psig Maximum _____ bar</p> <p>3. Temperature: Minimum _____ °F Maximum _____ °C</p> <p>4. Specific Gravity: Minimum _____ Maximum _____</p> | <p>5. Viscosity: _____ SSU</p> <p>6. Tank Material: _____</p> <p>Tank Depth: _____</p> <p>7. Unit is Mounted In: T – Top Mounted B – Bottom Mounted</p> |
|---|---|

1. Series Type:
XM/XT-700

2. Mounting Type and Materials:

A. Mounting Type (select one):

- | | | | |
|--------|--------|--------|--------|
| Type 1 | Type 2 | Type 3 | Type 4 |
| Type 5 | Type 6 | Type 7 | |

Options

1/2" MNPT Conduit Adapter
(Types 2, 3, 4, 5 or 7 only)

B. Mount and Stem Material (select one):

- Brass
316 Stainless Steel

3. Float Part Number:

- | | | |
|--------|--------|--------|
| 259125 | 119455 | 231500 |
| 245900 | 39005 | 258260 |

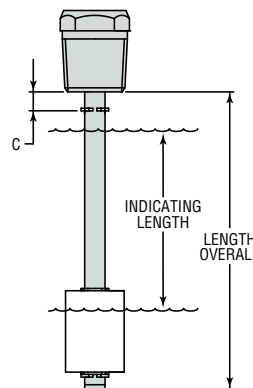
4. Electrical Connections (select one type plus length value):

- Lead Wire: Length 12" 24" Other _____
- Cable: Length 12" 24" Other _____
- Other _____

Please contact GEMS Sensors Inc. for any configuration or special requirements not covered on this form. **800-378-1600**

Additional minimum charges may apply on special orders.

5. Dimensions:



C: Minimum distance from bottom of mounting to upper float stop.

Mounting	C Dim. Value per Output Type (Inches)		
	Proportional	Volt	Current
1	0	0.69	1.44
2	0	0.44	1.19
2c	0	0	0.25
3	0	0.25	1
3c	0	0	0.19
4	0	0.75	1.5
4c	0	0.25	1
5	0	0.38	1.13
5c	0	0	0.19
6	0	0.5	1.25
7	0	0.25	1
7c	0	0	0.25

Note: For Proportional values of "0" no upper grip ring is installed. Float stops at bottom of mount.

Provide values for both items and check the box next to the most critical value.

- Indicating Length _____ Inches Millimeters
- Length Overall _____ Inches Millimeters

6. Output:

XM-700

- Proportional Voltage
Resistive (Quantity Dependent - Contact Factory)
Planned Input Voltage _____

XT-700

- 2-Wire, Loop Powered 4-20mA Output (Insert Mounted)
3-Wire, 0-5 VDC (Insert Mounted)
3-Wire, 0-10 VDC (Insert Mounted)

