



The VIBRA-GATE™ duplex valve is ideal for discharging almost any granular material from a bin or hopper where the materials are difficult to discharge. The VIBRA-GATE duplex valve easily handles sticky, cohesive, high moisture and difficult to handle materials such as green foundry molding sand. It has the ability of utilizing vibration in a unique way to discharge and dislodge most materials from a bin or hopper with a high degree of control. Materials thought to be very difficult to discharge are more easily moved and nicely controlled with predictable results. The VIBRA-GATE duplex valve can even be used like a feeder to control the feed rate of a given material when trying to fill a container such as filling a foundry flask to a predetermined level. With the VIBRA-GATE duplex valve, there will be little need for any other flow aid devices to get your stored material moving upon demand and without flushing.

The VIBRA-GATE duplex valve by design creates the ultimate vibrating force required to discharge material which otherwise might tend to hang up from a bin or hopper. This special vibrating force is then efficiently transmitted to a bin or hopper in a unique way for optimum results. The vibrating force

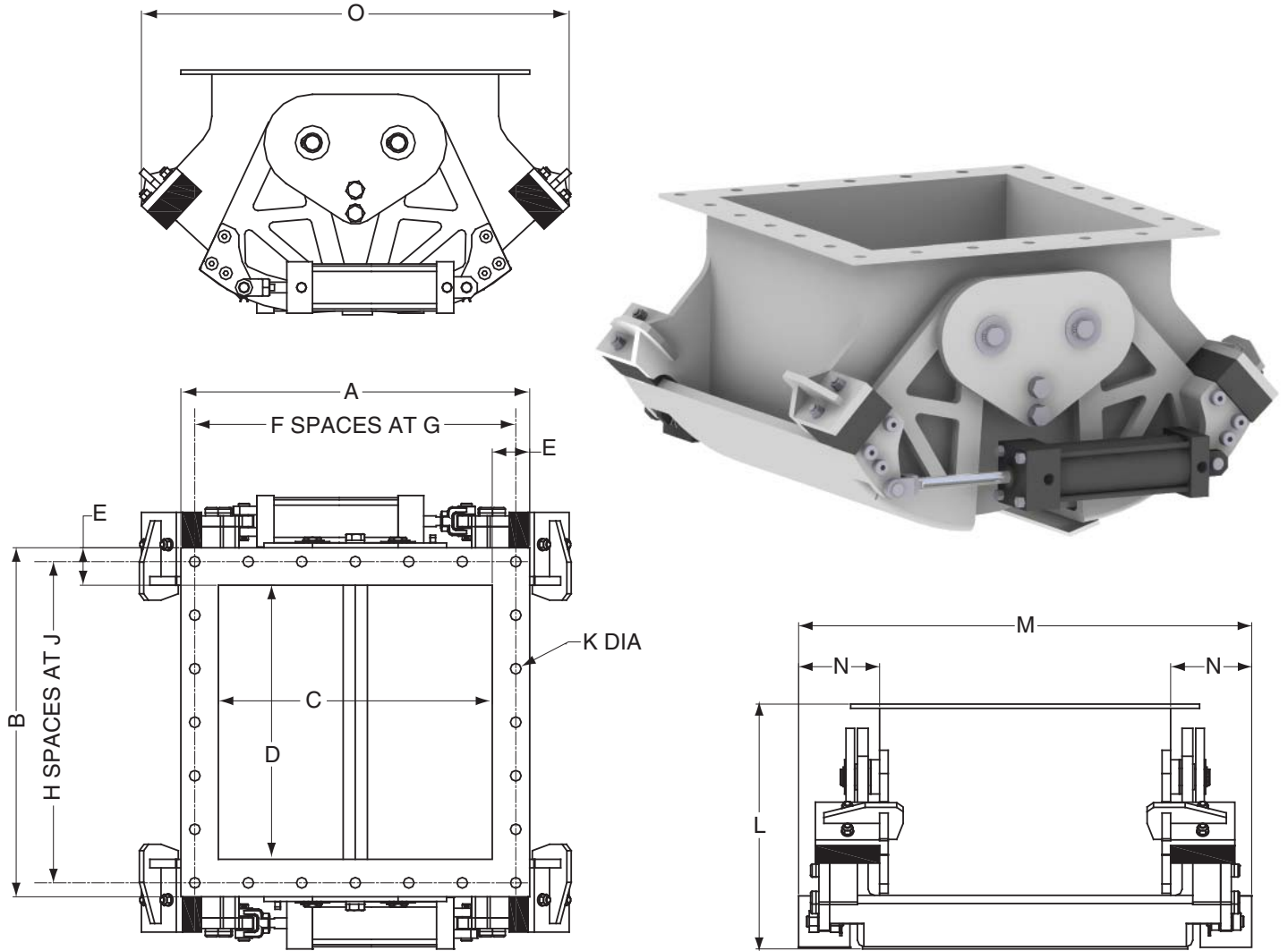
is created by the rapid opening and closing of a pair of clam shell gates against four large shock absorbing bumpers, which in turn vibrates the bin or hopper walls. In addition, by simply adjusting the door opening width and frequency, the natural vibrating force can be increased or decreased as might be desired. Even tough materials become easy to control and feed.

The VIBRA-GATE duplex valve is available in various sizes to suit almost any specific application, and is available with any type of control as might be desired, including hand or foot control devices. Optional materials of construction and proprietary coatings are available upon request.

Features

- Enhances flow characteristics
- Oversized bearings
- Variable feed rate
- Simple construction
- Heavy-duty rugged construction
- Optional foot or hand controls

Dimensions & Specifications



SIZE	VIBRA-GATE DUPLEX VALVE DIMENSIONS (INCHES)														WEIGHT (LBS.)
	A	B	C	D	E	F	G	H	J	K	L	M	N	O	
16 x 16	20.38	20.38	16.00	16.00	2.19	6	3.13	6	3.13	0.63	14.30	26.47	4.73	25.00	290
16 x 20	20.38	24.38	16.00	20.00	2.19	6	3.13	7	3.25	0.63	14.30	30.47	4.73	25.00	300
16 x 24	20.38	28.38	16.00	24.00	2.19	6	3.13	8	3.34	0.63	15.00	36.00	5.50	25.00	320
16 x 30	20.38	34.38	16.00	30.00	2.19	6	3.13	9	3.64	0.63	15.00	42.00	5.50	25.00	335
24 x 24	28.38	28.38	24.00	24.00	2.19	8	3.34	8	3.34	0.63	16.00	38.00	6.25	33.00	340
24 x 30	28.38	34.38	24.00	30.00	2.19	8	3.34	9	3.64	0.63	16.00	44.00	6.25	33.00	365
24 x 36	28.38	40.38	24.00	36.00	2.19	8	3.34	10	3.88	0.63	16.00	50.00	6.25	33.00	380

Posi-flate® and VIBRA-GATE™ are trademarks of Posi-flate, St. Paul, Minnesota.

© 2016 Posi-flate • Printed in U.S.A. • Bulletin 21150-1 (dm)