

Product:	Marine Mouse / Joystick PTZ LED RED
Typenumber:	ENX CST100N8-2048
Description:	Marine Mouse / Joystick PTZ LED RED Panel Mount

Last Revised:	15 Sep 2020
Revision#:	02

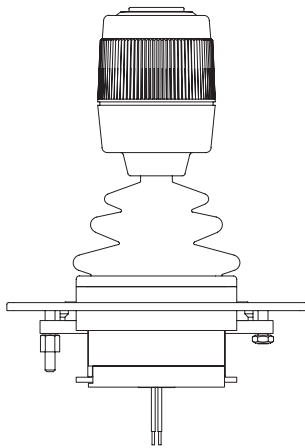
Marine Mouse / Joystick

Description:

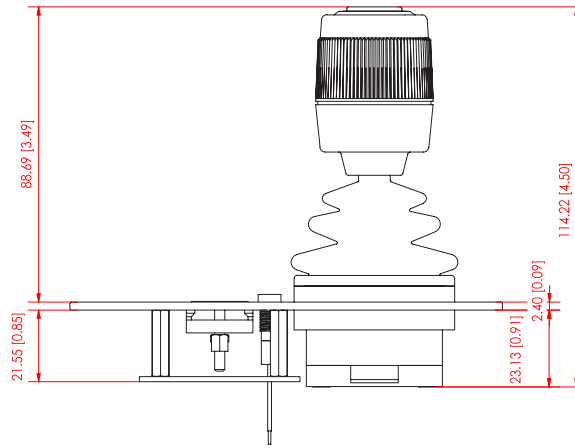
This HATTELAND® dual function joystick unit provides a combined functionality into one single device. One modus enables the user to use the unit as a mouse pointer, the second modus will provide the user with a 3-axis joystick function. Switching between the two functions is done by pressing the pushbutton that sits on top of the joystick. LED indicator (RED) shows the status of the unit.

This 3-axis joystick unit has a robust and vandalproof construction. The carrier plate is made of brushed stainless steel and two anti-vandal stainless steel IP65 sealed switches. Highly ruggedized and designed for harsh industrial applications and navigation controls. The speed of the cursor movement can be adapted (OEM only). No special drivers required.

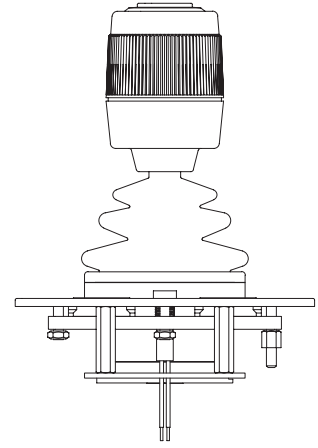
FRONT VIEW



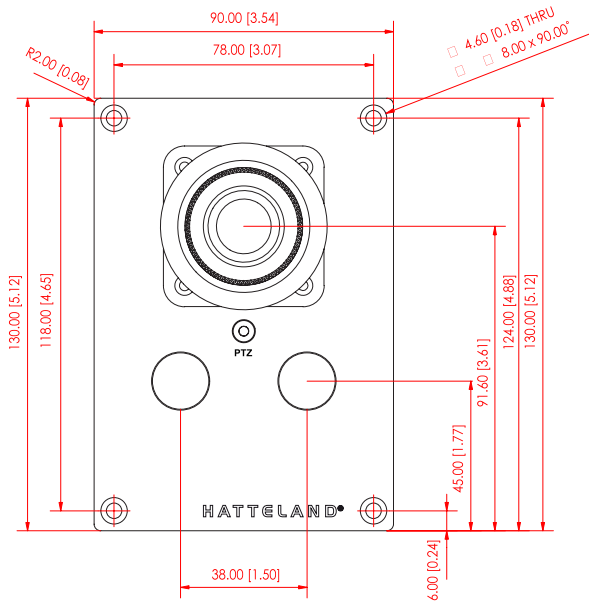
SIDE VIEW



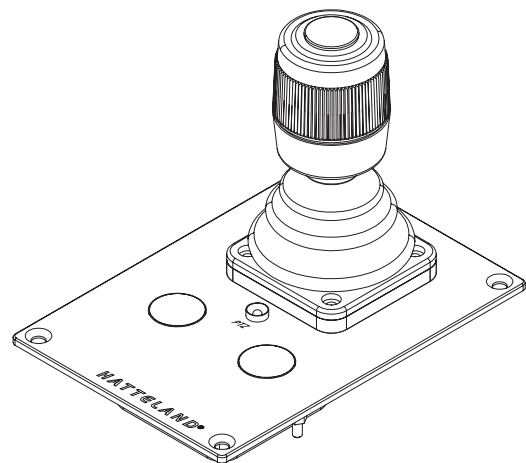
BACK VIEW



TOP VIEW



DIMETRIC VIEW



Dimensions might be shown with or without decimals and indicated as mm [inches]. Tolerance on drawings is +/- 1mm. For accurate measurements, check relevant DWG file.

TECHNICAL DESCRIPTION

Technical Specifications

Sealing:	IP55
Carrier plate:	Black coated stainless steel
Physical dimensions:	W:90.00 [3.54] x L:130.00 [5.12] x H:114.22 [4.50] mm [inch]
Weight:	Approx. 0.5 kg / 1.1lbs
Output:	USB type A
Cable:	1 x Shielded, straight 1.6m USB type A
Operating temperature range:	-10.0°C / 14.0°F to +60.0°C / 140.0°F
Storage temperature range:	-25.0°C / -13.0°F to +70.0°C / 158.0°F
Test and certificate:	Certificate of Conformity fully compliant with IEC60945
Compass Safe Distance:	Standard: 125.00 [49.21] - Steering: 80.00 [31.50] cm [inch]

Button Specifications

Type:	Push Button
Sealing:	IP68
Material:	Stainless steel, brushed
Mechanical life:	1 million cycles (min)
Contacts:	Gold plated
Travel:	1.3 [0.051"] mm [inch]
Operating force:	4N (typ)



APPROVALS & CERTIFICATES

These products have been tested / type approved by the following classification societies:

IEC 60945 4th (EN 60945:2002)

IACS E10

IEC 60092-504 3rd

DNV 2.4