

Multifan



Panel Fans 60Hz

The Versatile Exhaust Fan



VOSTERMANS
VENTILATION

YOUR SPECIALIST IN AIR

Multifan Panel Fans

The Versatile Exhaust Fan

With the extensive line of standard Multifan Panel Fans, we offer a wide range of reliable and efficient fans. These robust fans are used for various agricultural applications like greenhouses, pork-, dairy- and poultry barns and industrial applications like factories and buildings. These fans are engineered for continuous operation in highly corrosive environments and are suitable for outdoor use.



Why choose this fan?

- Materials resistant to extreme environments
- Extremely durable fan
- Easy installation and maintenance
- High performance and energy efficient
- 3-year warranty



Features

- Standard suitable for ambient temperatures up to 104 °F (Optional for higher ambient temperatures on request)
- Water and dust resistant fan motor (IP55)
- Class 'F' insulation
- Low noise level
- Polypropylene / glass fiber impellers
- Stainless steel fasteners

Options available

- OSHA compliant intake grill (standard for industrial Panel Fans)
- OSHA compliant exhaust grill
- System 1 weather hood

Panel Fans for Industrial Applications

- Standard with air intake grill
- Black panel
- Article numbers:
VxxxxxxM71100
- cULus listing (most articles)

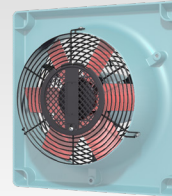


Panel Fans for Agricultural Applications

- Standard without wireguards
- Blue panel
- Article numbers:
VxxxxxxM60100



Panel Fan range
(10 to 36 inch)



Options available:
air intake and exhaust wireguards



Options available:
System 1 weather hood

Technical data single-phase

Article	ø (inch)	Power supply			(n) RPM	P _{in} (W)	I _{nom} (A)	Q _v (cfm)						cfm/watt @0SP	dB(A)*	Control options**
		~	V	Hz				0" SP	0.05" SP	0.1" SP	0.15" SP	0.2" SP	0.3" SP			
V4E25K2Mxxxxx	10	1	120	60	1710	70	1.0	824	773	708	626	-	-	11.7	-	E / T
V4E30K1Mxxxxx	12	1	120	60	1655	100	1.2	1324	1280	1215	1145	1060	-	13.9	-	E / T
V4E35K4Mxxxxx	14	1	120	60	1670	170	2.0	2148	2067	1995	1918	1835	1153	12.8	-	E / T
V4E40K2Mxxxxx	16	1	120	60	1635	250	2.5	2943	2843	2716	2625	2489	1387	12.0	-	E / T
V4E45K2Mxxxxx	18	1	120	60	1655	300	3.2	3737	3608	3487	3346	3199	2144	12.5	-	E / T
V4E50K2Mxxxxx	20	1	120	60	1600	410	3.3	4885	4693	4519	4337	4149	2781	11.9	-	E / T
V6E63K2Mxxxxx	24	1	120	60	1070	710	5.9	7356	7105	6886	6640	6378	4438	10.4	-	E / T
V4E25K1Mxxxxx	10	1	240	60	1750	70	0.4	882	841	794	738	666	-	12.6	-	E / T
V2E25K1Mxxxxx	10	1	240	60	3390	230	1.3	1206	1184	1157	1126	1096	862	5.3	-	E / T
V4E30K2Mxxxxx	12	1	240	60	1680	110	0.6	1412	1365	1308	1245	1176	-	12.9	45	E / T
V2E30K6Mxxxxx	12	1	240	60	3125	350	1.5	2206	2145	2093	2041	1989	1646	6.2	61	E / T
V4E35K3Mxxxxx	14	1	240	60	1645	180	1.1	2148	2064	1982	1894	1800	1022	12.2	48	E / T
V2E35K2Mxxxxx	14	1	240	60	3250	440	1.9	2971	2917	2855	2795	2735	2310	6.8	65	E / T
V4E40K1Mxxxxx	16	1	240	60	1635	260	1.1	3001	2889	2786	2685	2579	1805	11.7	51	E / T
V4E45K1Mxxxxx	18	1	240	60	1640	310	1.6	3795	3666	3533	3391	3243	2031	12.2	53	E / T
V4E50K1Mxxxxx	20	1	240	60	1580	430	1.8	4913	4748	4567	4390	4209	2889	11.4	55	E / T
V6E56K0Mxxxxx	22	1	240	60	1100	650	2.7	6355	6161	5942	5727	5476	3642	9.7	53	E / T
V6E63K1Mxxxxx	24	1	240	60	1100	660	2.8	7120	6928	6706	6459	6220	4291	10.7	61	E / T
V4E63K1Mxxxxx	24	1	240	60	1650	1700	7.4	10357	10162	9991	9817	9639	8382	6.1	70	E / T
V6E71K0Mxxxxx	28	1	240	60	1090	720	3.0	7885	7606	7345	7054	6772	4584	11.0	61	E / T
V8E92K1Mxxxxx	36	1	240	60	780	690	3.1	11711	10869	10002	9020	8044	-	17.0	61	E / T

Technical data three-phase

Article	ø (inch)	Power supply			(n) RPM	P _{in} (W)	I _{nom} (A)	Q _v (cfm)						cfm/watt @0SP	dB(A)*	Control options**
		~	V (Y)	Hz				Y	0" SP	0.05" SP	0.1" SP	0.15" SP	0.2" SP			
V4D30K1Mxxxxx	12	3	460	60	1700	120	0.3	1442	1389	1338	1272	1203	624	11.7	-	T
V4D35K1Mxxxxx	14	3	460	60	1700	210	0.6	2266	2188	2107	2028	1939	1268	10.7	-	T
V4D40K5Mxxxxx	16	3	460	60	1645	270	0.6	2972	2884	2774	2663	2551	1503	11.0	-	T / F
V4D40K2Mxxxxx	16	3	460	60	1650	270	0.6	2972	2884	2774	2663	2551	1503	11.0	-	T
V4D45K2Mxxxxx	18	3	460	60	1650	340	0.8	3885	3762	3633	3506	3384	2367	11.4	-	T
V4D45K6Mxxxxx	18	3	460	60	1650	340	0.8	3885	3762	3633	3506	3384	2367	11.4	-	T / F
V4D50K2Mxxxxx	20	3	460	60	1700	470	1.1	5208	5084	4946	4797	4651	3586	10.9	-	T
V4D50K8Mxxxxx	20	3	460	60	1700	470	1.1	5208	5084	4946	4797	4651	3586	10.9	-	T / F
V6D63K4Mxxxxx	24	3	460	60	1075	740	1.4	7827	7559	7268	6938	6616	4303	10.5	-	T
V4D63K4Mxxxxx	24	3	460	60	1600	1750	3.5	10652	10469	10290	10076	9937	8659	6.1	-	T / F
V4D63K2Mxxxxx	24	3	460	60	1640	1750	3.5	10652	10469	10290	10076	9937	8659	6.1	-	T
V4D71K1Mxxxxx	28	3	460	60	1640	2400	4.5	13359	13154	12954	12760	12562	11160	5.5	-	-

* Sound pressure level at 23 feet free blowing distance.

** Controllable by Transformer (T), Frequency Controllable (F), Controllable by Triac (E)

50Hz Panel Fans

We have a complete range of 50Hz Panel Fans available. Contact our customer care team for the technical details or visit www.vostermans.com



Dimensions (inch)

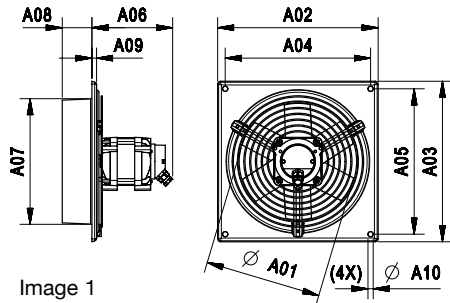


Image 1

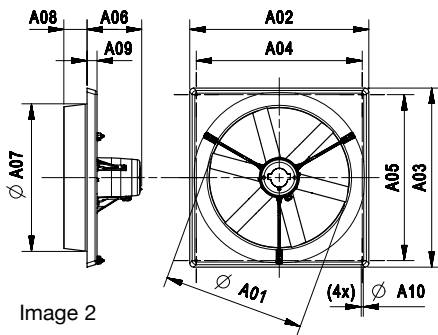


Image 2

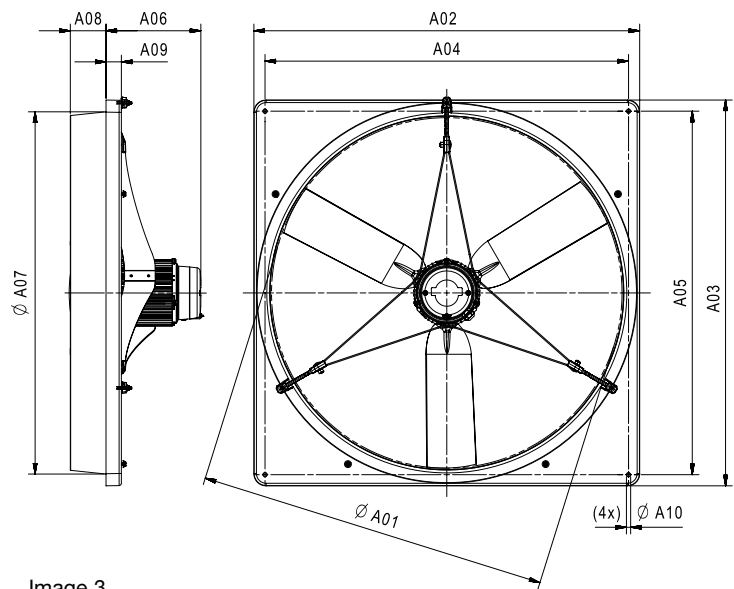


Image 3

ø (inch)	Image	A01	A02	A03	A04	A05	A06	A07	A08	A09	A10
10	1	9 3/4	12 3/4	12 3/4	11 3/4	11 3/4	5 3/4	10 1/2	2	3/10	3/8
12	2	12 1/4	17 1/2	17 1/2	15 1/2	15 1/2	7 1/2	13 1/2	3 1/4	1 1/2	3/8
14	2	14 1/4	19 1/2	19 1/2	17 1/2	17 1/2	7 1/2	15 1/4	3 1/4	1 1/2	3/8
16	2	16 1/4	21 1/4	21 1/4	19 1/2	19 1/2	7 1/2	17 1/4	3 1/4	1 1/2	3/8
18	2	18	23 1/4	23 1/4	21 1/2	21 1/2	9 3/4	19 1/4	3 1/4	1 1/2	3/8
20	2	20 1/4	25 1/2	25 1/2	23 1/2	23 1/2	9 3/4	21 1/4	3 1/4	1 1/2	3/8
22	2	22 1/2	27 1/2	27 1/2	25 1/4	25 1/4	9 3/4	23 1/2	4 1/8	1 1/2	1/2
24	3	25 1/2	30 1/2	30 1/2	28 1/4	28 1/4	9 3/4	26 1/2	4 1/8	1 1/2	1/2
28	3	28	33 1/2	33 1/2	31	31	9 3/4	29 1/4	4 1/8	1 1/2	1/2
36	3	36	39 1/2	39 1/2	37 1/4	37 1/4	9 3/4	37	3 5/8	1 1/2	1/2

Why choose Vostermans Ventilation:

LOYAL TO YOU

We care for your specific needs based on our long expertise. In close cooperation with you we secure your business outcomes.

RELIABLE

Since our foundation in the Netherlands in 1952, we maintain our reputation as reliable partner. Our carefully selected global network of independent distributors strive to deliver you dedicated service and expertise.

FUTURE PROOF

Our future proof approach, which combines energy efficiency solutions with robust quality and rigorous testing, is based on a genuine commitment to serve as a trusted partner.

Vostermans Ventilation is a global developer and manufacturer of sustainable axial fans for the agricultural and industrial market. Sustainability is key for Vostermans. Their premium brandlines Multifan and EMI are showcasing the drive for advanced energy efficient fans. The company applies continuous innovation and research in their own motor production facility and in house state of the art R&D department. Vostermans Ventilation, part of Vostermans Companies founded in 1952, is based in Venlo, the Netherlands and operates in USA, China and Malaysia.



YOUR SPECIALIST IN AIR

All rights reserved. Vostermans Companies is not responsible for inaccurate or incomplete data. In case of any questions and / or remarks please contact ventilation@vostermans.com. Subject to alterations 08/2020

Venlo - The Netherlands
Tel. +31 (0)77 389 32 32
ventilation@vostermans.com

Bloomington - USA
Tel. +1 309 827-9798
ventilation@vostermansusa.com

Tmn Klang Jaya - Malaysia
Tel. +60 (0)3 3324 3638
ventilation@vostermansasia.com

Shanghai - China
Tel. +86 21 5290 2889/2899
ventilation@vostermanschina.com