

Multifan



Galvanized Box Fans

High performance captured in a compact design



VOSTERMANS
VENTILATION

YOUR SPECIALIST IN AIR

Multifan Galvanized Box Fans

Compact and flexible

With the extensive program of Galvanized Box Fans, we offer a wide range of efficient fans for livestock houses or factories. The products are characterized by their compact design and available in various dimensions and motors. This is why these fans are an adequate all-round solution for each ventilation demand. The aerodynamic design assures effective and efficient ventilation. Depending of your need or local situation, our Galvanized Box Fan offers the solution for minimum ventilation, higher-pressure applications or high air volumes.



Why choose this fan

- Easy installation and maintenance
- Aerodynamic design for optimal performance
- Interconnected louvers for uniform opening
- 3-year warranty on the motor



Features

- Available range: 92, 130 and 140 cm
- High level of air movement: up to 56.800 m³/h at 0 Pa
- Pressure range up to 120 Pa
- IP55 motor (water and dust resistant)
- Belt drive for 130 and 140 cm fans
- Resistant against UV-radiation
- 3 blade impeller for high efficiency or high volume
- 6 blade impeller for higher pressure applications

Applications

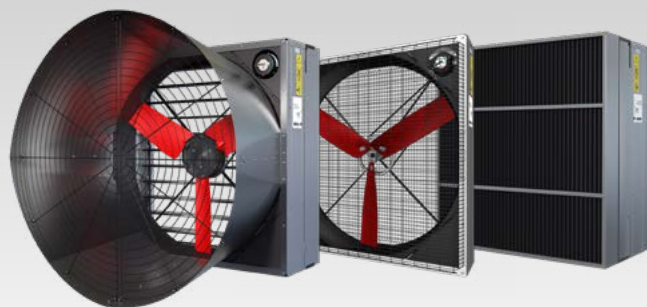
- Agricultural: Poultry and Dairy
- Horticulture: Greenhouse
- Industrial

Options available

- CE wireguard instead of shutter
- Vplus technology for more energy savings
- ECplus technology for more energy savings
- Butterfly shutter for 140 cm Cone Fans
- Galvanized Cone Fan for higher air volumes
- Light trap to control the amount of light hours
- Rat deflectors prevent that animals damage the fan blades



140, 130 and 92 cm Galvanized Box Fans



Galvanized Cone Fans

CE wireguard

Light trap

Technical data single-phase

Article **	ø (cm)	Power supply			(n) RPM	P _{in} (W)	I _{nom} (A)	Q _v (m³/h)					SFP @0Pa (W/1000m²/h)	Control options *
		~	V	Hz				0 Pa	30 Pa	50 Pa	80 Pa	100 Pa		
V6E90A0M11036	92	1	230	50	915	770	3,4	20.000	17.500	15.700	12500	-	38,5	E / T
V8E92K1M11036	92	1	230	60	770	680	3,3	17.100	13.800	11.200	-	-	39,9	-
V4E13K2M11036	130	1	240	60	580	1.650	7,0	44.700	38.900	33.600	-	-	36,9	-
Vplus technology														
V4E13P1M11236	130	1	230	50 / 60	585	1.450	9,9	44.500	39.000	33.800	-	-	32,8	F
Performance at 80% RPM					470	750	5,4	35.200	26.400	-	-	-	21,3	
G4E14P1M11236	140	1	230	50 / 60	560	1.950	12,5	52.500	46.200	41.400	32.200	-	37,1	F
Performance at 80% RPM					450	1.050	7,2	41.800	33.600	-	-	-	25,3	

Technical data three-phase

Article **	ø (cm)	Power supply			(n) RPM	P _{in} (W)	I _{nom} (A)		Q _v (m³/h)					SFP @0Pa (W/1000m²/h)	Control options *
		~	V (Δ / Y)	Hz			Δ	Y	0 Pa	30 Pa	50 Pa	80 Pa	100 Pa		
V6D90A0M11036	92	3	230 / 400	50	925	670	2,3	1,4	17.200	15.300	13.600	10.400	-	39,2	-
V4D13A0M11036	130	3	230 / 400	50	585	1600	5,1	3,0	46.700	40.700	35.000	-	-	34,3	-
G4D14A1M11036	140	3	230 / 400	50	535	1650	5,6	3,3	50.300	43.700	39.000	28.500	-	32,6	-
G4D14A0M11036	140	3	230 / 400	50	535	1550	5,4	3,2	46.200	42.400	39.400	34.100	29.500	33,5	-
V8D92K1M11036	92	3	230 / 400	60	815	730	3,5	2,0	18.000	15.300	12.900	-	-	40,5	T
V4D1621M11236	130	3	240 / 420	60	580	1550	4,6	2,7	45.000	38.700	33.400	-	-	34,3	-
G4D14K1M11036	140	3	230 / 400	60	585	1850	5,6	3,2	51.100	45.100	40.700	32.400	-	36,0	-
G4D14K0M11036	140	3	230 / 400	60	595	1550	4,9	2,8	44.000	40.300	37.900	33.300	29.900	34,9	-
ECplus technology															
V4D13E0M11036FD	130	3	230 / 400	50	590	1.550	2,5	-	44.800	39.100	33.800	-	-	34,6	F
Performance at 80% RPM					475	830	1,5	-	35.600	27.000	-	-	-	23,3	
G4D14E0M11036FD	140	3	230 / 400	50	545	1.700	2,7	-	49.200	42.700	37.700	-	-	34,6	F
Performance at 80% RPM					440	960	1,6	-	39.500	31.000	-	-	-	24,4	
Vplus technology															
V4D13P1M11236	130	3	400	50 / 60	585	1.400	2,3	-	44.700	39.000	33.900	-	-	31,6	F
Performance at 80% RPM					470	730	1,3	-	35.100	26.300	-	-	-	20,7	
G4D14P1M11236	140	3	400	50 / 60	565	1.900	3,0	-	52.700	46.400	41.600	32.600	-	35,9	F
Performance at 80% RPM					450	1.050	1,7	-	41.800	33.700	-	-	-	24,6	

* Transformer Voltage Control (T), Frequency Control (F), Electronic / Triac / Solid State Voltage Control (E)

** This is a small selection from our extensive range. For other product configurations, please contact our customer support team.

Dimensions (mm)

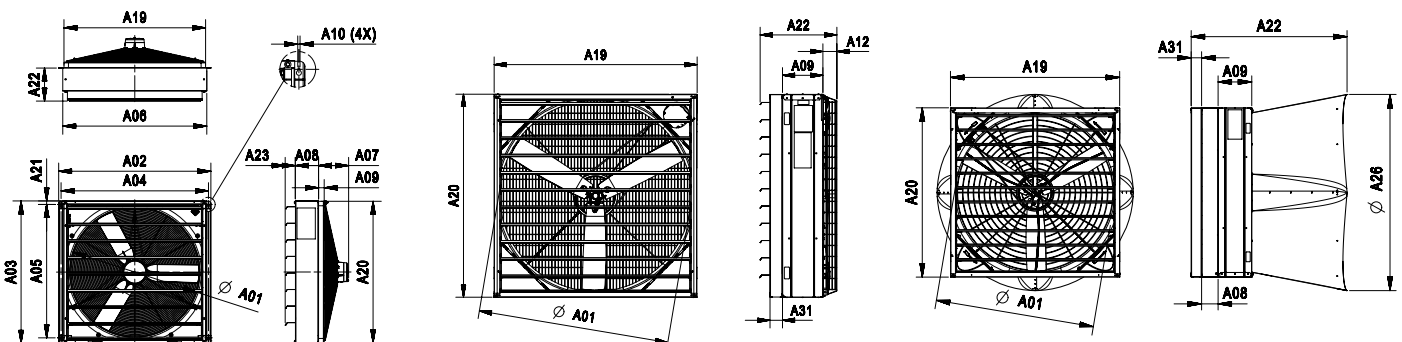


Image 1

Image 2

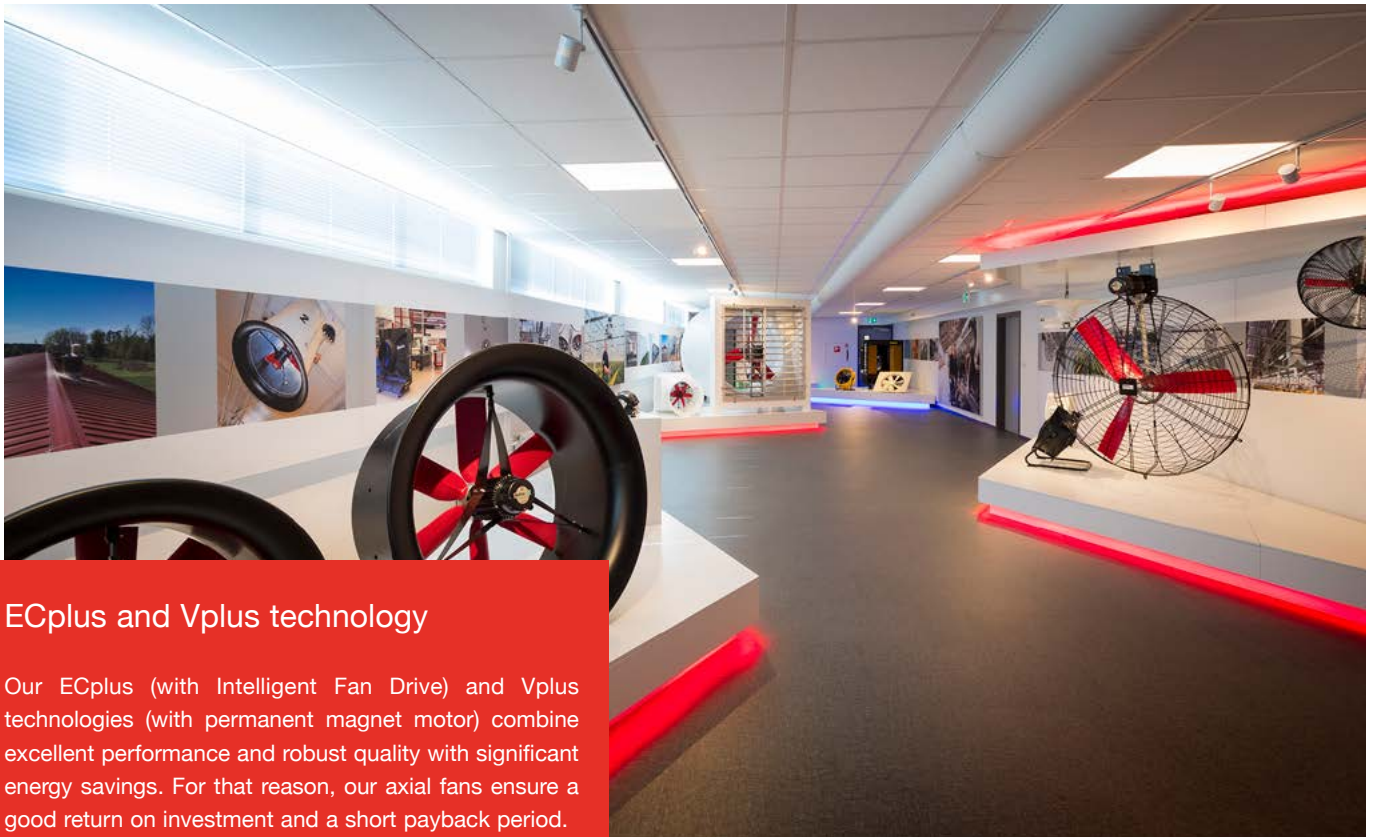
Image 3

ø (cm)	Image	A01	A02	A03	A04	A05	A06	A07	A08	A09	A10	A12	A19	A20	A21	A22	A23	A26	A31
92	1	915	1080	1014	1046	946,5	1022	220	165	40	6,5	-	1005	1005	25	234	72	-	-
130	2	1284	-	-	-	-	-	-	-	275	-	96	1382	1382	-	523	-	-	85
140	2	1375	-	-	-	-	-	-	-	295	-	96	1480	1480	-	548	-	-	85
130	3	1284	-	-	-	-	-	-	135	275	-	-	1382	1382	-	1275	-	1600	85
140	3	1375	-	-	-	-	-	-	135	295	-	-	1480	1480	-	1356	-	1657	85

Save more energy

Our standard fans are also available in extra an energy-efficient variant. With the help of the IFD and MFD controls, it is possible to lower the speed of these fans on a continuous scale. For every 20% reduction in speed, the fan's energy consumption is halved. To provide optimum protection for the sensitive electronics

inside a controller, the fan is placed in a separate housing with at least IP65 protection class. This is essential to safeguard reliability in even the most extreme environments.



ECplus and Vplus technology

Our ECplus (with Intelligent Fan Drive) and Vplus technologies (with permanent magnet motor) combine excellent performance and robust quality with significant energy savings. For that reason, our axial fans ensure a good return on investment and a short payback period.

Why choose Vostermans Ventilation:

LOYAL TO YOU

We care for your specific needs based on our long expertise. In close cooperation with you we secure your business outcomes.

RELIABLE

Since our foundation in the Netherlands in 1952, we maintain our reputation as reliable partner. Our carefully selected global network of independent distributors strive to deliver you dedicated service and expertise.

FUTURE PROOF

Our future proof approach, which combines energy efficiency solutions with robust quality and rigorous testing, is based on a genuine commitment to serve as a trusted partner.

Vostermans Ventilation is a global developer and manufacturer of sustainable axial fans for the agricultural and industrial market. Sustainability is key for Vostermans. Their premium brandlines Multifan and EMI are showcasing the drive for advanced energy efficient fans. The company applies continuous innovation and research in their own motor production facility and in house state of the art R&D department. Vostermans Ventilation, part of Vostermans Companies founded in 1952, is based in Venlo, the Netherlands and operates in USA, China and Malaysia.



YOUR SPECIALIST IN AIR

All rights reserved. Vostermans Companies is not responsible for inaccurate or incomplete data. In case of any questions and / or remarks please contact ventilation@vostermans.com. Subject to alterations 05/2021

Venlo - The Netherlands
Tel. +31 (0)77 389 32 32
ventilation@vostermans.com

Bloomington, IL- USA
Tel. +1 309 827-9798
ventilation@vostermansusa.com

Tmn Klang Jaya - Malaysia
Tel. +60 (0)3 3324 3638
ventilation@vostermansasia.com

Shanghai - China
Tel. +86 21 5290 2889/2899
ventilation@vostermanschina.com