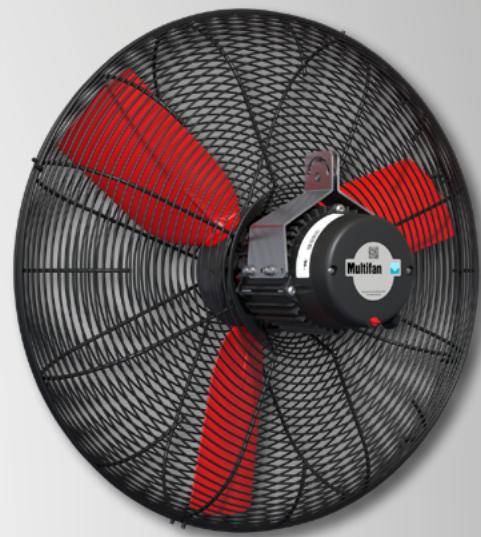
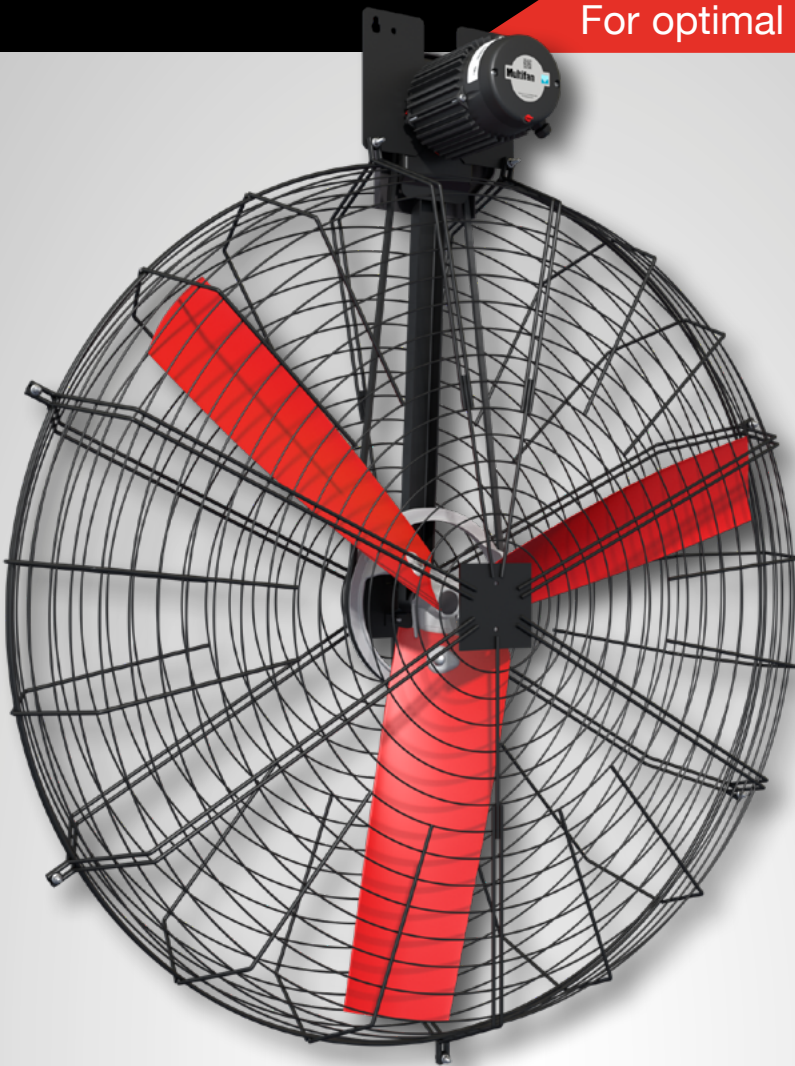


Multifan



Basket Fans

For optimal circulation and a refreshing breeze



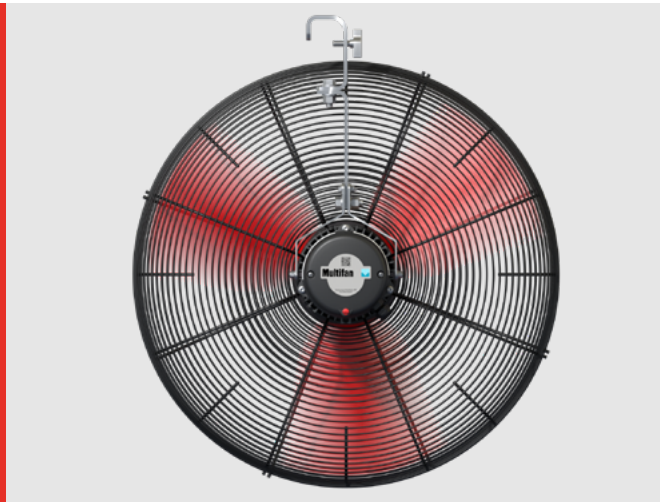
VOSTERMANS
VENTILATION

YOUR SPECIALIST IN AIR

Multifan Basket Fans

For optimal air circulation

With the extensive program of Multifan Basket Fans, we offer a wide range of energy efficient circulation fans for the agricultural, horticultural and industrial markets. Compared to other circulation fans, the Basket Fans cover a wider area. This is ideal for creating a uniform indoor climate, or to create a wind chill effect for livestock and employees during hot summers. In industrial applications, the basket fans ensure an optimal performance of the production line by cooling products down faster and more gradually.



Why choose this fan

- Most powerful air circulation and distribution
- Easy to manage at low costs
- Easy installation
- Easy maintenance
- 3-year warranty on the motor



Features

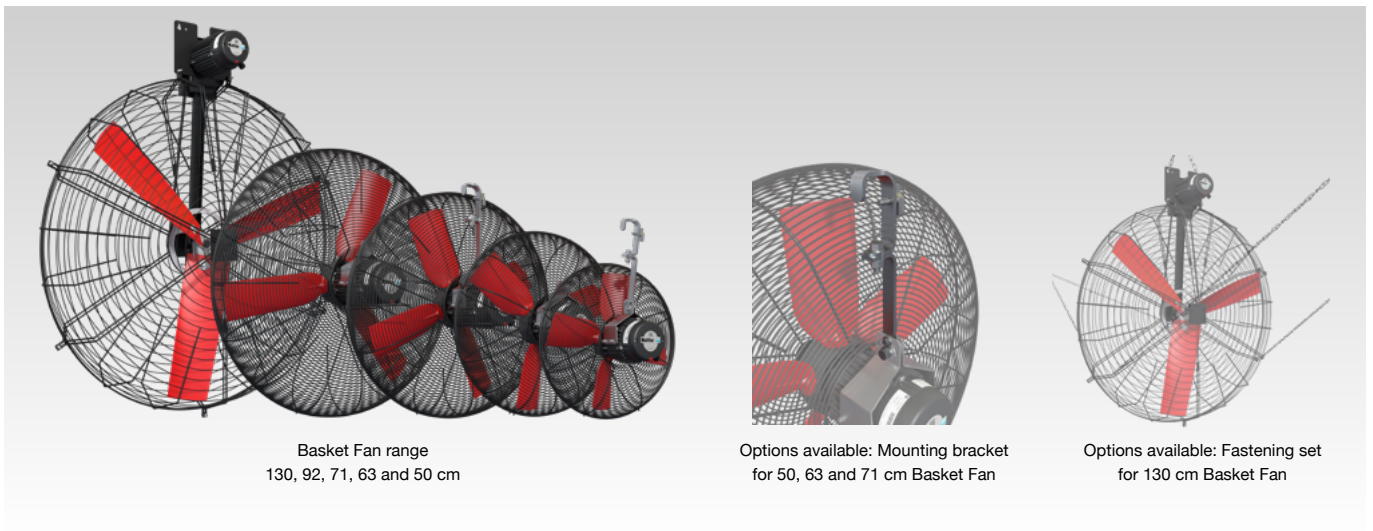
- Available range: 50, 63, 71, 92 and 130 cm
- High level of air movement: up to 46.300 m³/h at 0 Pa
- High throw: up to 142 meters
- Frequency and transformer controllable
- High efficiency: up to 15,7 Watt /1000 m³/h
- Low noise
- IP55 motor (water and dust resistant)
- CE-wire guards for 50, 63, 71 and 92 cm Basket Fans

Applications

- Agricultural: Pigs, Poultry and Dairy
- Horticultural: Greenhouses
- Industrial

Options available

- 130 cm Basket Fan fastening set for easy installation (2 chains, 7 meters each and fastening hooks)
- Mounting brackets for 50, 63 and 71 cm Basket Fans



Basket Fan range
130, 92, 71, 63 and 50 cm

Options available: Mounting bracket
for 50, 63 and 71 cm Basket Fan

Options available: Fastening set
for 130 cm Basket Fan

Technical data single-phase

Article	ø (cm)	Power supply			(n) RPM	P _{in} (W)	I _{nom} (A)	Q _v (m ³ /h) *	Throw (m) **	SFP @0Pa (W/1000m ³ /h)	dB(A) ***	Control options ****
		~	V	Hz								
K4E5020M11100	50	1~	230V	50Hz	1.400	280	1,4	7.050	54	39,7	-	E / T
K4E50K0M61100	50	1~	120V	60Hz	1.675	265	2,4	7.425	60	35,7	-	E / T
K4E50K1M11100	50	1~	230V	60Hz	1.670	260	1,2	7.760	60	33,5	-	E / T
K6E6320M11100	63	1~	230V	50Hz	905	420	2,1	9.350	58	44,9	-	E / T
K6E63K0M61100	63	1~	120V	60Hz	1.115	270	2,6	9.660	60	27,9	-	E / T
K6E63K1M11100	63	1~	230V	60Hz	1.110	260	1,2	9.970	61	26,1	-	E / T
K6E71A0M11100	71	1~	230V	50Hz	935	430	2	14.650	81	29,3	64	E / T
K6E71K0M61100	71	1~	120V	60Hz	1.130	460	4,2	14.395	80	32	-	E / T
K6E71K1M61100	71	1~	230V	60Hz	1.130	480	2,1	14.615	81	32,8	-	E / T
K6E92A0M11100	92	1~	230V	50Hz	905	605	2,7	22.500	98	26,9	72	E / T
K8E92K0M11100	92	1~	230V	60Hz	835	640	3,1	22.150	97	28,9	69	E / T
K4E13A0M11100	130	1~	230V	50Hz	505	1.100	5,3	46.300	142	23,8	61	-
K4E13K0M11100	130	1~	240V	60Hz	505	1.050	4,7	46.000	142	22,8	62	-

Technical data three-phase

Article	ø (cm)	Power supply			(n) RPM	P _{in} (W)	I _{nom} (A)		Q _v (m ³ /h) *	Throw (m) **	SFP @0Pa (W/1000m ³ /h)	dB(A) ***	Control options ****
		~	V (Δ / Y)	Hz			Δ	Y					
K4D5023M11100	50	3~	230/400V	50Hz	1.400	300	1,2	0,7	7.050	54	42,5	-	T / F
K6D6310M11100	63	3~	230/400V	50Hz	900	520	2,2	1,3	13.700	83	38	-	T / F
K6D71A0M11100	71	3~	230/400V	50Hz	915	490	2,3	1,3	13.800	77	35,5	-	T / F
K6D71K0M11100	71	3~	220/380V	60Hz	1.120	420	1,7	1	14.400	80	29,2	-	T / F
K6D92A0M11100	92	3~	230/400V	50Hz	915	605	2,3	1,3	22.650	98	26,7	72	T / F
K8D92K0M11100	92	3~	240/420V	60Hz	835	620	3,1	1,8	22.050	97	28,1	69	T
K4D13B1M11100	130	3~	230/400V	50Hz	425	630	2,5	1,4	40.100	123	15,7	55	T / F
K4D13A1M11100	130	3~	230/400V	50Hz	505	1.050	4,1	2,4	45.965	141	22,8	-	F
K4D13K1M11200	130	3~	240/420V	60Hz	505	1.150	3,7	2,2	45.800	141	25,1	62	F

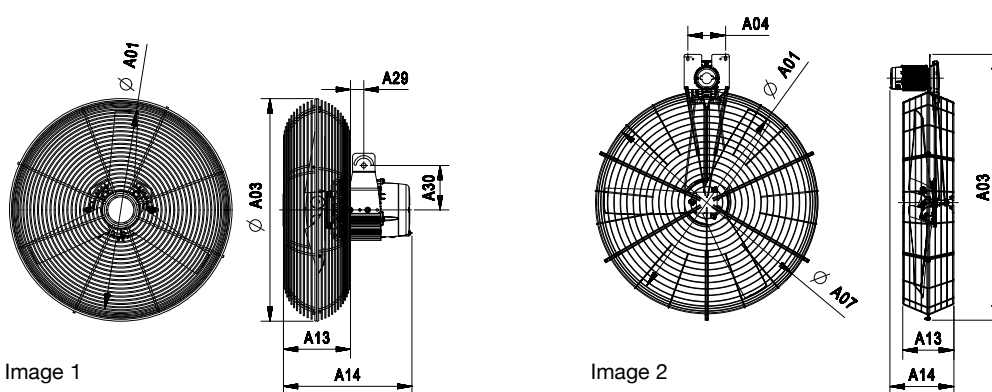
* Electrical and air technical data are performed according AMCA standard 230-99

** Throw is the distance at which the peak velocity of the jet has fallen to 0,5 m/s (measured in an infinite room without obstructions)

*** Sound pressure level (LpA) at 7 meter distance from the center of the fan

**** Transformer Voltage Control (T), Frequency Control (F), Electronic / Triac / Solid State Voltage Control (E)

Dimensions (mm)

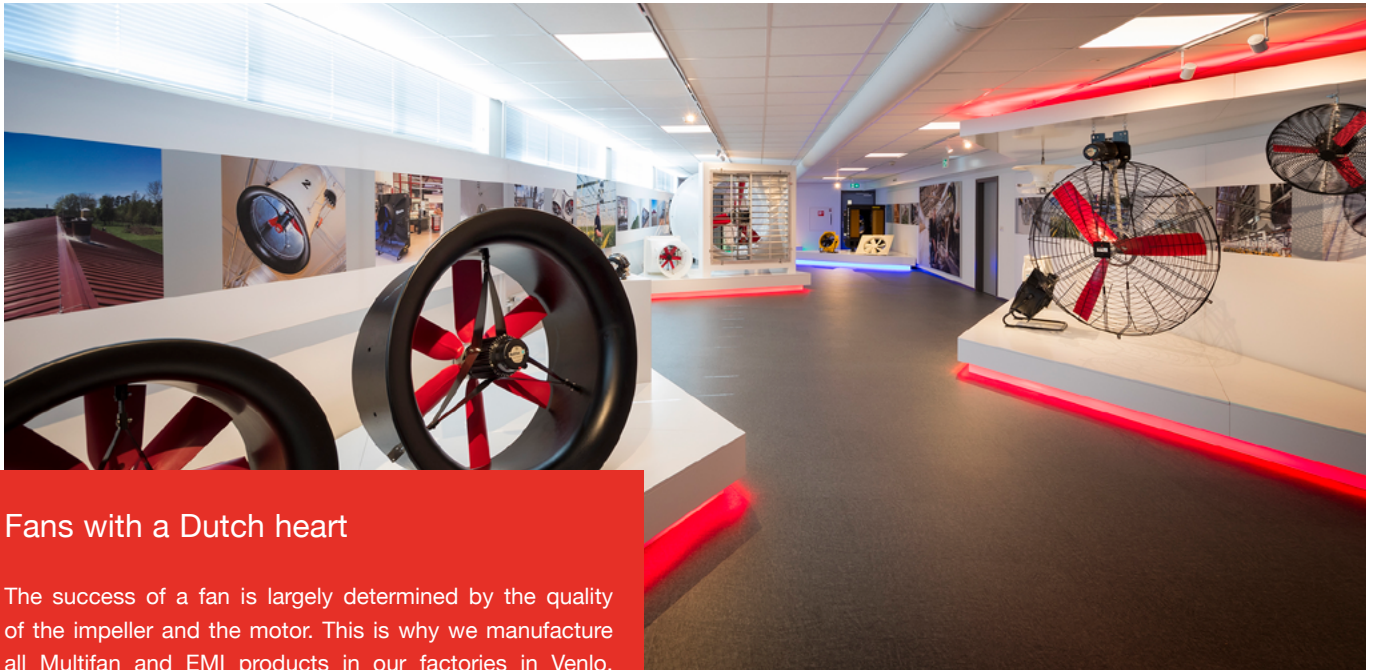


ø (cm)	Image	A01	A03	A04	A07	A13	A14	A29	A30
50	1	512	575	-	-	174	332	34	115
63	1	610	683	-	-	206	350	32	115
71	1	709	830	-	-	230	413	29	115
92	1	905	983	-	-	254	425	29	115
130	2	1284	1662	236	1390	320	400	-	-

Service

As a family business, we believe it is important to build long-term relationships with our customers. That is why we attach great importance to our customers being helped quickly and effectively when a problem arises. The QR code on the back of the fan motor is an ideal tool for this. By scanning this QR code, you get insight into the most important fan specifications and a list of spare parts.

In addition, we offer many extras online to support you. This includes specific product information and our online product selector, in which you can select the right fan for your specific situation. You can always contact us via www.vostermans.com/contact with questions, or follow us through our social media channels to stay up to date with the latest news.



Fans with a Dutch heart

The success of a fan is largely determined by the quality of the impeller and the motor. This is why we manufacture all Multifan and EMI products in our factories in Venlo, the Netherlands. It also allows us to further develop the manufacturing process efficiently and guarantee the highest quality standards. Because we get large fan components, such as the housing, from the customer's region, we are able to keep the price of our fans as competitive as possible.

Why choose Vostermans Ventilation:

LOYAL TO YOU

We care for your specific needs based on our long expertise. In close cooperation with you we secure your business outcomes.

RELIABLE

Since our foundation in the Netherlands in 1952, we maintain our reputation as reliable partner. Our carefully selected global network of independent distributors strive to deliver you dedicated service and expertise.

FUTURE PROOF

Our future proof approach, which combines energy efficiency solutions with robust quality and rigorous testing, is based on a genuine commitment to serve as a trusted partner.

Vostermans Ventilation is a global developer and manufacturer of sustainable axial fans for the agricultural and industrial market. Sustainability is key for Vostermans. Their premium brandlines Multifan and EMI are showcasing the drive for advanced energy efficient fans. The company applies continuous innovation and research in their own motor production facility and in house state of the art R&D department. Vostermans Ventilation, part of Vostermans Companies founded in 1952, is based in Venlo, the Netherlands and operates in USA, China and Malaysia.



YOUR SPECIALIST IN AIR

All rights reserved. Vostermans Companies is not responsible for inaccurate or incomplete data. In case of any questions and / or remarks please contact ventilation@vostermans.com. Subject to alterations 08/2021

Venlo - The Netherlands
Tel. +31 (0)77 389 32 32
ventilation@vostermans.com

Bloomington, IL- USA
Tel. +1 309 827-9798
ventilation@vostermansusa.com

Tmn Klang Jaya - Malaysia
Tel. +60 (0)3 3324 3638
ventilation@vostermansasia.com

Shanghai - China
Tel. +86 21 5290 2889/2899
ventilation@vostermanschina.com