

PMU 3, 0...10 V TO 3-POINT CONTROL CONVERTER

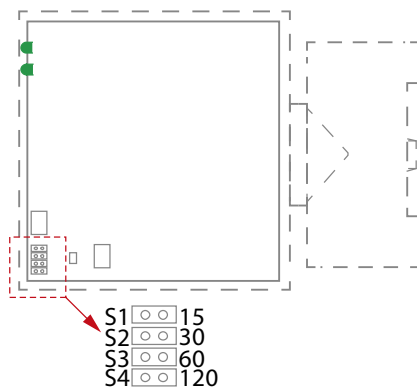
PMU 3 converts the 0...10 Vdc signal into the 24 Vac 3-point control signal. The capacity of the actuator may not exceed 36 VA.

When the input signal is changing, the PMU 3 is moving the position of the actuator as long as the change demands. After the power is switched on, the PMU3 is driving the actuator to the negative position for selected driving time. When the input is below 0.5 V the actuator is driven to negative position for three seconds every 5 minute. When the input is over 9.5V the actuator will be driven to positive position for tree seconds every 5 minute.

The voltage of 24 Vac is wired to the common terminal of the actuator motor and the PMU 3 is driving the actuator by connecting G₀ to the control terminals of the motor. LEDs are indicating the driving direction of the actuator.

The range of the running time of the motor is selected inside the housing and it can be adjusted by the trimmer K (coefficient for running time).

Motor running time selection



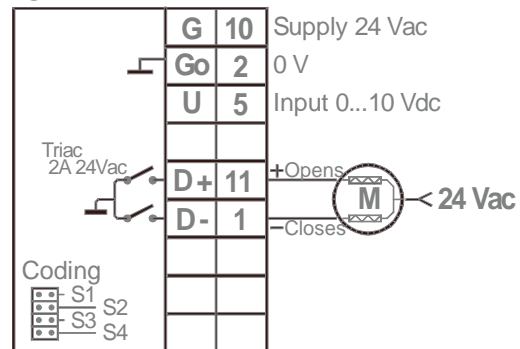
Motor running time selection				Range	
	15 s	30 s	60 s	120 s	K = 1...2
S1	* <input checked="" type="checkbox"/>	<input type="checkbox"/>	<input type="checkbox"/>	<input type="checkbox"/>	15...30s
S2	<input type="checkbox"/>	<input checked="" type="checkbox"/>	<input type="checkbox"/>	<input type="checkbox"/>	30...60s
S3	<input type="checkbox"/>	<input type="checkbox"/>	<input checked="" type="checkbox"/>	<input type="checkbox"/>	60...120s
S4	<input type="checkbox"/>	<input type="checkbox"/>	<input type="checkbox"/>	<input checked="" type="checkbox"/>	120...240s



Technical data:

Supply	24 Vac, 1 VA
Input	0...10 Vdc, 1 mA
Output	triac 2 A, 24 Vac
Dimensions w x h x d	35 x 79 x 95 mm
Settings:	
motor running time	15 s, 30 s, 60 s, 120 s
coefficient	K = 1...2

Wiring:



Ordering guide

Model	Product number	Description
PMU 3	1182120	0...10 V / 3-point converter

Products fulfil the requirements of directive 2004/108/EC and are in accordance with the standards EN61000-6-3: 2001 (Emission) and EN61000-6-2: 2001 (Immunity).