

TEMPERATURE TRANSMITTER LTL 010

LTL 010 temperature transmitter is designed to detect temperature in HVAC applications. The temperature sensor is not delivered with the transmitter.

The temperature sensor can be any sensor that is equipped with Pt1000 sensor element. The transmitter converts the sensor element resistance information to 0...10 V signal. The temperature range can be chosen at the commissioning.

2-wire or 4-wire connection can be used for the temperature sensor wiring. When using 2-wire connection, short circuit the connectors 4 and 5 and connectors 7 and 8.

Selecting the measuring range

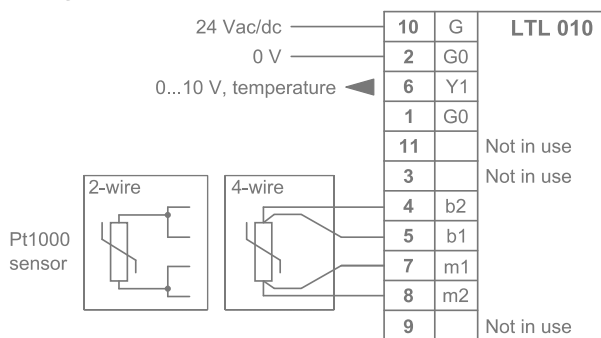
0...+50 °C		*0...+100 °C		-50...+50 °C		-50...+150 °C	
S1	S2	S1	S2	S1	S2	S1	S2
■	●	■	■	●	■	●	●

* = Factory setting

Output signal

0...50	0...100	-50...50	-50...150	Signal
0 °C	0 °C	-50 °C	-50 °C	0 V
25 °C	50 °C	0 °C	50 °C	5 V
50 °C	100 °C	50 °C	150 °C	10 V

Wiring:



Technical data

Supply	24 Vac/dc (22...30 V) < 1 VA
Sensor (not included)	Pt1000 EN 60751/B
Ranges	0...50 °C 0...100 °C -50...50 °C -50...150 °C
Accuracy	±0.5 °C (at 0 °C)
Output	0...10 Vdc, < 2 mA
Transmitter	3-wire
Housing	IP20
Dimensions (w x h x d)	35 x 79 x 114 mm

Ordering guide:

Model	Product number	Description
LTL 010	1182080	temperature transmitter 0...10 V

Products fulfil the requirements of directive 2004/108/EC and are in accordance with the standards EN61000-6-3: 2001 (Emission) and EN61000-6-2: 2001 (Immunity).