



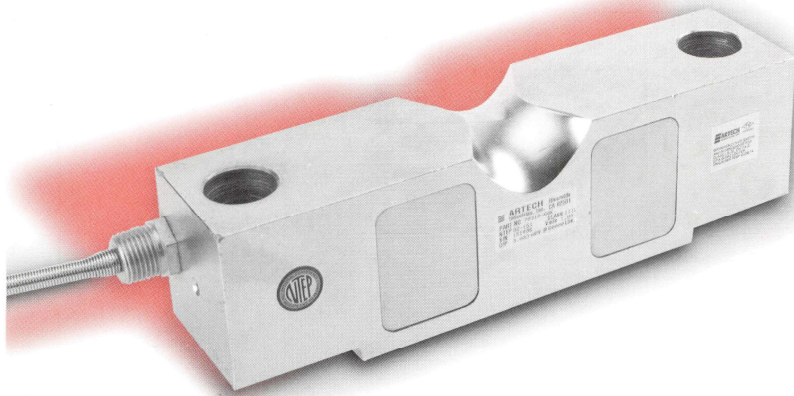
*"a preferred name in load cell technology"*

## Model 70310

### Double Ended Shear Beam Load Cell

#### FEATURES:

- 10k to 200k capacities
- NTEP Class III L 10,000D
- Triple-Sealing
- Polyurethane Cable Jacket
- Nickel/Chrome Plated
- Factory Mutual (F.M.) Approved\*



**NTEP C.O.C. #92-151**

#### DESCRIPTION:

The Model 70310 double ended shear beam is ideally suited for truck, track, tank and hopper applications. From its nickel/chrome exterior protection to its triple-seal gage area, this cell is designed to withstand the rigors of harsh environmental conditions. The cell is compatible with the "Unilink" suspension system and is a direct replacement for the 65058. Depending upon capacity, the cell is provided with either 40' or 60' of polyurethane jacketed cable at no extra charge.

#### PERFORMANCE SPECIFICATIONS

<b>Standard Capacities (lbs.):</b>	10k, 20k, 25k, 40k, 50k, 60k, 65k, 75k, 100k, 125k, up to 200k
<b>Excitation Voltage:</b>	10VDC - Maximum 15VDC
<b>Rated Output:</b>	3.0 mv/v $\pm$ .1%
<b>Non-Linearity:</b>	< 0.03% FSO
<b>Hysteresis:</b>	< 0.02% FSO
<b>Non-Repeatability:</b>	$\pm$ 0.01% FSO
<b>Zero Balance:</b>	$\pm$ 1.0% FSO
<b>Bridge Resistance:</b>	700 $\pm$ 7.0 ohms
<b>Safe Overload:</b>	150% of Rated Capacity
<b>Side Load Discrimination:</b>	500:1
<b>Temperature:</b>	
<b>Compensated Range:</b>	0 - 150 deg. F
<b>Effect on Output:</b>	< 0.0008% FSO/deg. F
<b>Effect on Zero:</b>	< 0.0011% FSO/deg. F
<b>Finish:</b>	Electroless Nickel/Chrome





# Model 70310



CAPACITY LBS.	A	B	C	D	E	F	G	J	R
10K - 25K	7.75	6.50	1.94	1.69	1.70	1.63	0.68	1.125	0.90
30K - 40K	10.25	8.50	2.44	1.94	2.10	2.00	0.81	1.125	1.12
50K - 75K	10.25	8.50	2.94	2.44	2.65	2.54	1.06	1.250	1.37
90K - 125K	15.25	12.75	3.86	2.90	3.43	3.30	1.60	1.500	1.80
150K - 200K	19.25	15.25	5.25	4.25	4.11	3.86	1.60	2.000	2.36

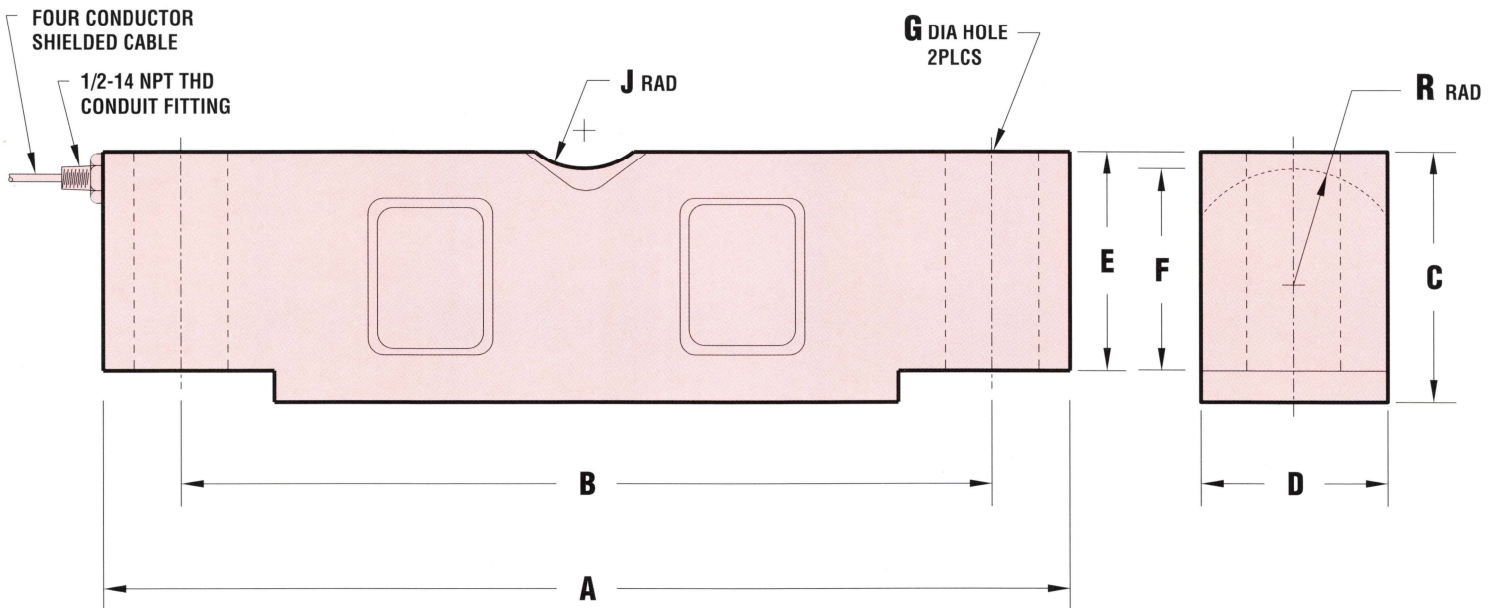
## ELECTRICAL TERMINATION

INPUT      OUTPUT      SHIELD

RED (+)    GREEN (+)

BLACK (-)    WHITE (-)

## COMPRESSION POSITIVE



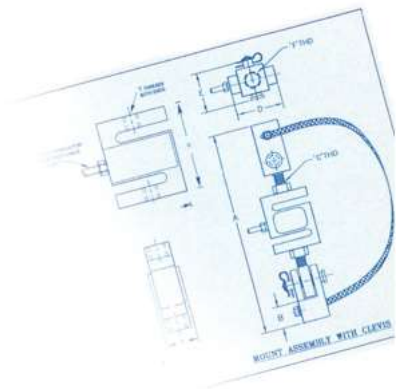
\* NOTE: CABLE: 10K - 40K: 40 FT, 50K - 200K: 60 FT

\* Factory Mutual Systems approved as intrinsically safe when installed per F.M. approved installation drawing. Contact factory for details.

Represented by:



1966 Keats Drive, Riverside, CA 92501



## ORDER INFORMATION

- ◆ ARTECH is dedicated to maintaining adequate inventories of its Load Cells to provide the best service in the industry.
- ◆ Order by the model number and indicate the capacity required.

- ◆ Custom services such as matched load cell outputs, special threading, and custom calibrations are available on an optional basis at an extra cost.

**Let us know what you need... we listen!**  
**QUALITY • PERFORMANCE • SERVICE**

• (951) 276-3331 • (800) 654-8181 • Fax: (951) 276-4556 •  
 Email: info@artechindustriesinc.com • www.artechindustriesinc.com