



*"a preferred name in load cell technology"*

## Model 80310



NTEP COC #90-083A2

### Double Link Shear Beam

**FEATURES:**

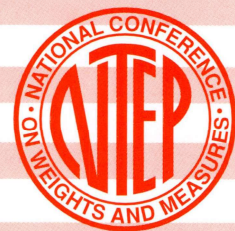
- Capacity range 20k - 200k pounds
- Nickel/Chrome plated, high alloy tool steel element
- Convex bearing point
- Complete environmental protection
- NTEP Certified versions available for Class IIIIL 10,000 divisions
- Factory Mutual (F.M.) Approved †
- Interchangeable with Model 65040

**DESCRIPTION:**

The Model 80310 double link beam is designed for truck scale applications. This proven design offers excellent performance while minimizing load cell errors due to deck flexure or eccentric angular loading of the cell. Its construction of high alloy steel provides optimum protection against shock and overload. The cell is waterproof and nickel plated to assure resistance to corrosion.

### PERFORMANCE SPECIFICATIONS

<b>Standard Capacities (lbs.):</b>	20K, 30K, 35K, 40K, 50KSE, 50K, 60KSE, 60K, 65K 75K, 100K, 125K, 150K, 200K
<b>Excitation Voltage:</b>	10VDC - Maximum 15VDC
<b>Rated Output:</b>	3.0 mv/v ± .1%
<b>Non-Linearity:</b>	< 0.03% FSO (Full Scale Output)
<b>Hysteresis:</b>	< 0.02% FSO
<b>Non-Repeatability:</b>	< 0.01% FSO
<b>Zero Balance:</b>	±1.0% FSO
<b>Bridge Resistance:</b>	700 ohms ± 1%
<b>Safe Overload:</b>	150% FSO
<b>Side Load Discrimination:</b>	500:1
<b>Temperature:</b>	
<b>Compensated Range:</b>	0 - 150 deg. F
<b>Effect on Output:</b>	< 0.0008% FSO/deg. F
<b>Effect on Zero:</b>	< 0.0011% FSO/deg. F
<b>Finish:</b>	Electroless Nickel/Chrome Plated



# Model 80310

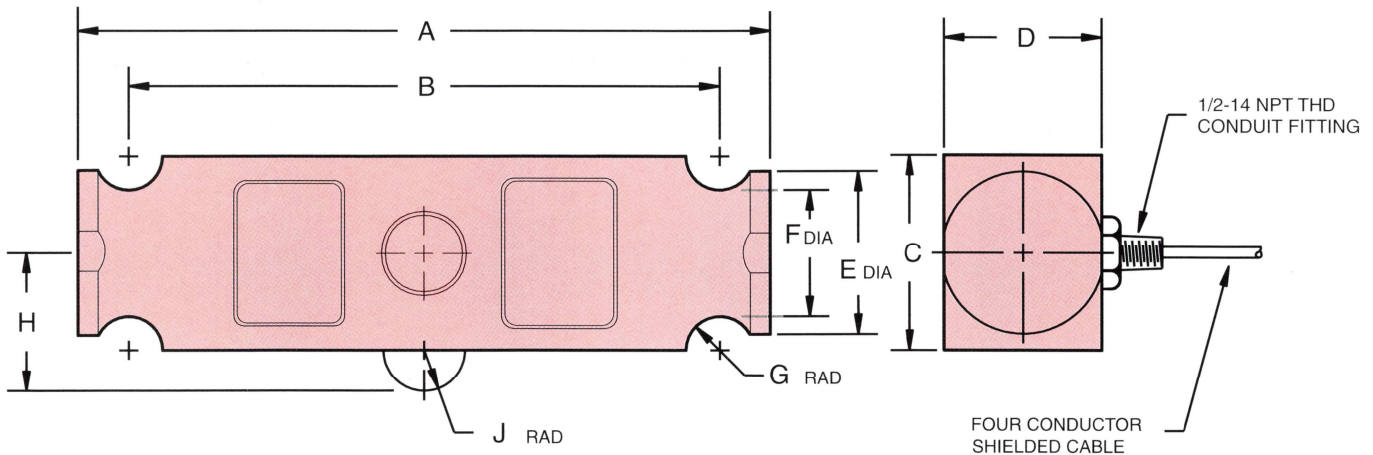


CAPACITY LBS.	A	B	C	D	E	F	G	H	J RAD
20K - 60KSE	8.25	7.25	2.44	1.94	2.0	1.63	.50	1.75	.50
50K - 75K	11.50	10.00	2.94	1.94	2.2	1.70	.75	2.00	1.00
90K - 200K	14.50	12.50	3.86	2.90	3.2	2.44	1.00	2.75	1.50

## ELECTRICAL TERMINATION

INPUT      OUTPUT      SHIELD  
 RED (+)   GREEN (+)  
 BLACK (-)   WHITE (-)

## COMPRESSION POSITIVE



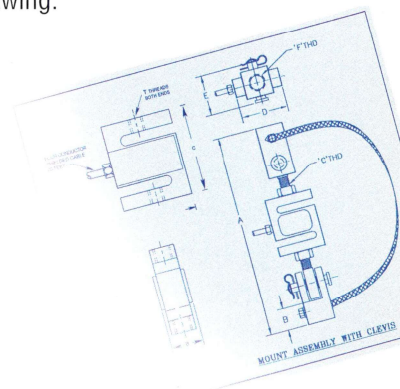
\* NOTE: 20K-60KSE: 40 Ft Cable, 50K-200K: 60 Ft Cable

† Factory Mutual Systems approved as intrinsically safe when installed per F.M. approved installation drawing. Contact ARTECH sales department for details.

Represented by:



1966 Keats Drive, Riverside, CA 92501



## ORDER INFORMATION

- ◆ ARTECH is dedicated to maintaining adequate inventories of its Load Cells to provide the best service in the industry.
- ◆ Order by the model number and indicate the capacity required.

- ◆ Custom services such as matched load cell outputs, special threading, and custom calibrations are available on an optional basis at an extra cost.

**Let us know what you need... we listen!**  
**QUALITY • PERFORMANCE • SERVICE**

• (951) 276-3331 • (800) 654-8181 • Fax: (951) 276-4556 •  
 Email: info@artechindustriesinc.com • www.artechindustriesinc.com