



*"a preferred name in load cell technology"*

## Model 90310/5590310



**STAINLESS STEEL**

**NTEP C.O.C. #95-092**

## Canister Load Cell

### FEATURES:

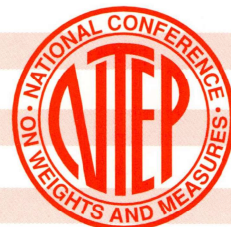
- 10K to 500K pounds capacities
- NTEP 25K, 50K, 100K, 200K
- Multi-Column Construction
- Directly replaces CSP
- Factory Mutual (F.M.) Approved\*
- Stainless Steel or Epoxy Enamel Paint

### DESCRIPTION:

The Model 90310 is a hermetically sealed, multi-column canister cell that is ideally suited for harsh environmental conditions. The cell housing is available in mild steel with epoxy enamel paint or all stainless steel. Both versions have NTEP certification for the most commonly used capacities referenced above. The cell is recommended for tank, truck, track and hopper type industrial applications. The cell is supplied with an integral 30 foot cable, but other lengths are available on special order.

### PERFORMANCE SPECIFICATIONS

|                                    |                                       |
|------------------------------------|---------------------------------------|
| <b>Standard Capacities (lbs.):</b> | 10K, 25K, 50K, 100K, 200K, 300K, 500K |
| <b>Excitation Voltage:</b>         | 20VDC                                 |
| <b>Rated Output:</b>               | 2.0 ± .1% mv/v                        |
| <b>Non-Linearity:</b>              | < 0.05% FSO (Full Scale Output)       |
| <b>Hysteresis:</b>                 | < 0.02% FSO                           |
| <b>Non-Repeatability:</b>          | < 0.01% FSO                           |
| <b>Zero Balance:</b>               | ±1.0% FSO                             |
| <b>Bridge Resistance Input:</b>    | 450 ± 1% ohms                         |
| <b>Bridge Resistance Output:</b>   | 480 ± 1% ohms                         |
| <b>Safe Overload:</b>              | 150% of Rated Capacity                |
| <b>Temperature:</b>                |                                       |
| <b>Compensated Range:</b>          | 0 - 150 deg. F                        |
| <b>Effect on Output:</b>           | < 0.0008% FSO/deg. F                  |
| <b>Effect on Zero:</b>             | < 0.0011% FSO/deg. F                  |
| <b>Finish:</b>                     | Stainless Steel or Epoxy Enamel       |



**APPROVED**

# Model 90310/5590310



| CAPACITY LBS. | A    | B    | C    | D    | E    | F SPH RAD | G THD             | H DEEP |
|---------------|------|------|------|------|------|-----------|-------------------|--------|
| 10K - 50K     | 2.87 | 1.25 | 3.25 | .40  | 1.28 | 6.00      | 1/2 - 20 UNF - 2B | .37    |
| 100K          | 4.12 | 2.31 | 5.00 | .50  | 2.15 | 6.00      | 3/4 - 16 UNF - 2B | .55    |
| 200K - 300K   | 6.00 | 3.13 | 7.25 | 1.04 | 3.31 | 17.00     | 3/4 - 16 UNF - 2B | .75    |
| 500K          | 6.53 | 3.69 | 9.00 | .56  | 4.25 | 17.00     | 3/4 - 16 UNF - 2B | .75    |

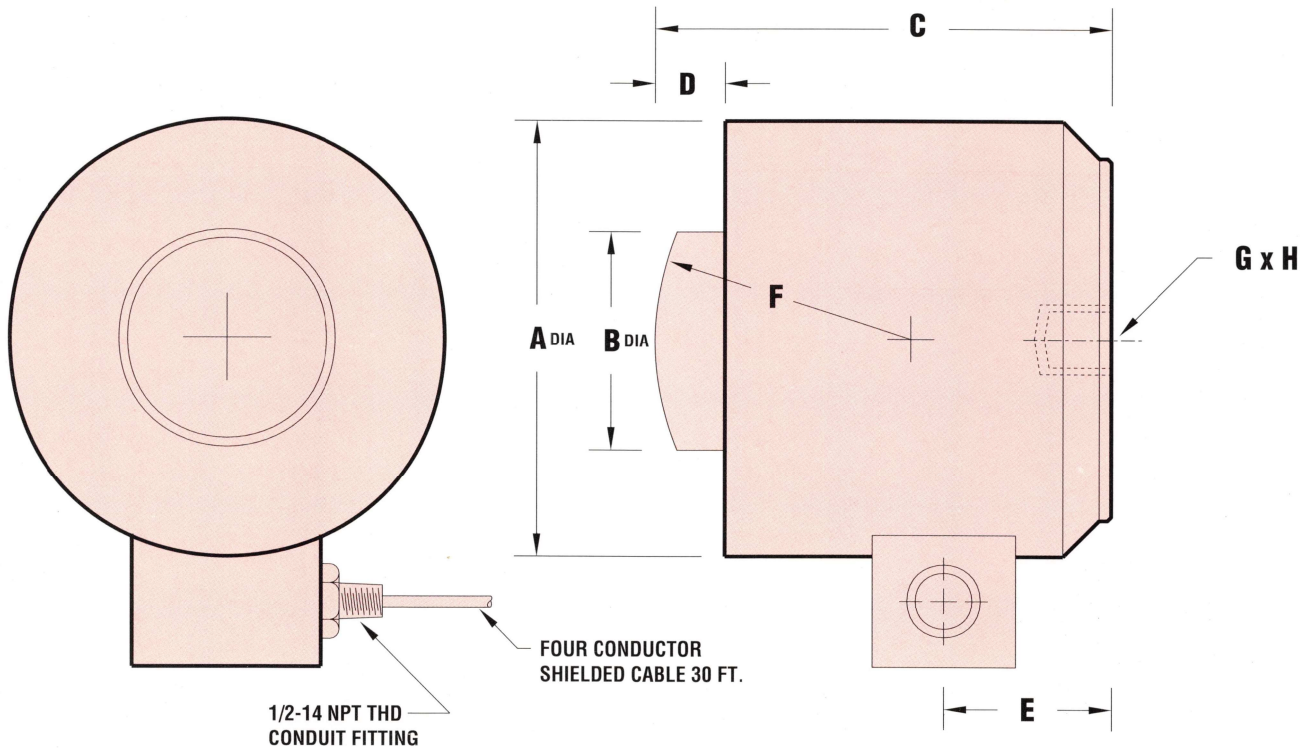
## ELECTRICAL TERMINATION

INPUT OUTPUT SHIELD

GREEN (+) WHITE (+)

BLACK (-) RED (-)

COMPRESSION POSITIVE

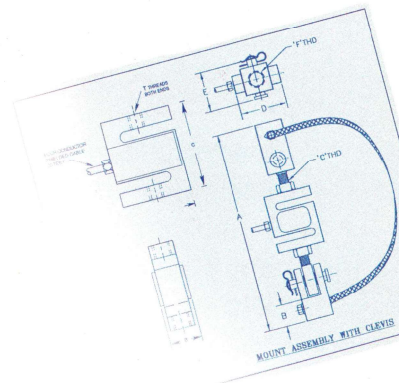


† Factory Mutual Systems approved as intrinsically safe when installed per F.M. approved installation drawing. Contact ARTECH sales department for details.

Represented by:



1966 Keats Drive, Riverside, CA 92501



## ORDER INFORMATION

- ◆ ARTECH is dedicated to maintaining adequate inventories of its Load Cells to provide the best service in the industry.
- ◆ Order by the model number and indicate the capacity required.

- ◆ Custom services such as matched load cell outputs, special threading, and custom calibrations are available on an optional basis at an extra cost.

**Let us know what you need... we listen!**  
**QUALITY • PERFORMANCE • SERVICE**

(951) 276-3331 • (800) 654-8181 • Fax: (951) 276-4556  
 Email: info@artechindustriesinc.com • www.artechindustriesinc.com