

## Data Sheet

# R-Series V RP5 PROFINET IO RT & IRT

## Magnetostrictive Linear Position Sensors

- Minimum position resolution 0.5  $\mu\text{m}$
- Position and velocity measurements for up to 30 magnets
- Field adjustments and diagnostics using the new TempoLink<sup>®</sup> smart assistant



**V**  
DIE NEUE GENERATION

## MEASURING TECHNOLOGY

The absolute, linear position sensors provided by Temposonics rely on the company's proprietary magnetostrictive technology, which can determine position with a high level of precision and robustness. Each Temposonics position sensor consists of a ferromagnetic waveguide, a position magnet, a strain pulse converter and supporting electronics. The magnet, connected to the object in motion in the application, generates a magnetic field at its location on the waveguide. A short current pulse is applied to the waveguide. This creates a momentary radial magnetic field and torsional strain on the waveguide. The momentary interaction of the magnetic fields releases a torsional strain pulse that propagates the length of the waveguide. When the ultrasonic wave reaches the end of the waveguide it is converted into an electrical signal. Since the speed of the ultrasonic wave in the waveguide is precisely known, the time required to receive the return signal can be converted into a linear position measurement with both high accuracy and repeatability.

## R-SERIES V PROFINET

Temposonics® R-Series V brings very powerful sensor performance to meet the many demands of your application. This series is the long term solution for harsh environments that have high levels of shock and vibration. The sensors are available with PROFINET RT (Real Time) and IRT (Isochronous Real Time). PROFINET IRT offers a synchronized communication with a minimum cycle time of 250 µs. For time-critical applications R-Series V with linear extrapolation enables synchronized controller communication for any stroke length of the sensor. In addition, the sensors are available with internal linearization which offers improved linearity for overall higher accuracy of the position measurement values. In addition to the measured position value via the PROFINET protocol further data about the current sensor status, such like the total distance travelled, the internal temperature and the total operating hours, can be displayed for diagnostic purposes.

With many outstanding features the R-Series V sensors are fit for a very broad range of applications.

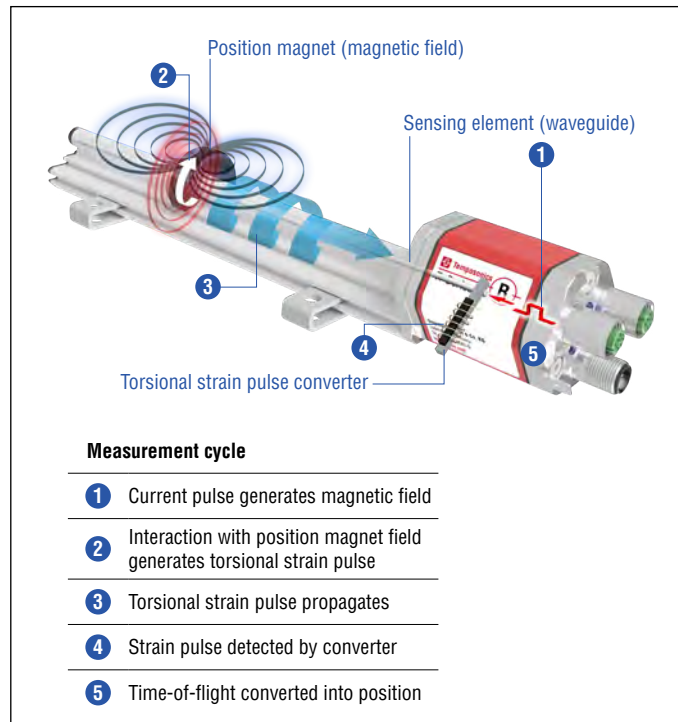


Fig. 1: Time-of-flight based magnetostrictive position sensing principle

## TempoLink YOUR SMART ASSISTANT

The TempoLink smart assistant is an accessory for the R-Series V family of sensors that supports setup and diagnostics. Depending on the sensor protocol it enables the adjustment of parameters like measurement direction, resolution and filter settings. For diagnostics and analysis of operational data the R-Series V sensors continuously track values such as total distance traveled by the position magnet, internal temperature of the sensor and the quality of the position signal. This additional information can be read out via TempoLink smart assistant even while the sensor remains operational in the application.

TempoLink smart assistant is connected to the sensor via the power connection, which now adds bidirectional communication for setup and diagnostics. The TempoLink smart assistant is operated using a graphical user-interface that will be displayed on your smartphone, tablet, laptop or PC. Just connect your Wi-Fi-enabled device to TempoLink Wi-Fi access point and go to the website URL for the user-interface.



Fig. 2: R-Series V sensor with TempoLink smart assistant

## TECHNICAL DATA

Output						
Interface	PROFINET RT PROFINET IRT version 2.3					
Data protocol	MTS Profile and Encoder Profile V4.2					
Data transmission rate	100 MBit/s (maximum)					
Measured value	Position, velocity/option: Simultaneous multi-position and multi-velocity measurements up to 30 magnets					
Measurement parameters						
Resolution: Position	0.5...100 µm (selectable)					
Cycle time	Stroke length	≤ 50 mm	≤ 715 mm	≤ 2000 mm	≤ 4675 mm	≤ 6350 mm
	Cycle time	250 µs	500 µs	1000 µs	2000 µs	4000 µs
Linearity deviation <sup>1</sup>	Stroke length	≤ 500 mm	> 500 mm			
	Linearity deviation	≤ ±50 µm	< 0.01 % F.S.			
Optional internal linearization: Linearity tolerance (Applies for the first magnet for multi-position measurement)						
Stroke length	25...300 mm	300...600 mm	600...1200 mm	1200...3000 mm	3000...5000 mm	5000...6350 mm
	typical	±15 µm	±20 µm	±25 µm	±45 µm	±85 µm
maximum	±25 µm	±30 µm	±50 µm	±90 µm	±150 µm	±190 µm
	Repeatability < ±0.001 % F.S. (minimum ±2.5 µm) typical					
Hysteresis	< 4 µm typical					
Temperature coefficient	< 15 ppm/K typical					
Operating conditions						
Operating temperature	-40...+85 °C (-40...+185 °F)					
Humidity	90 % relative humidity, no condensation					
Ingress protection	IP67 (connectors correctly fitted)					
Shock test	150 g/11 ms, IEC standard 60068-2-27					
Vibration test	30 g/10...2000 Hz, IEC standard 60068-2-6 (excluding resonant frequencies)					
EMC test	Electromagnetic emission according to EN 61000-6-3					
	Electromagnetic immunity according to EN 61000-6-2					
The sensor meets the requirements of the EC directives and is marked with <b>CE</b>						
Magnet movement velocity	Magnet slider: Max. 10 m/s; U-magnet: Any; block magnet: Any					
Design / Material						
Sensor electronics housing	Aluminum (painted), zinc die cast					
Sensor profile	Aluminum					
Stroke length	25...6350 mm (1...250 in.)					
Mechanical mounting						
Mounting position	Any					
Mounting instruction	Please consult the technical drawings on <a href="#">page 4</a> and the operation manual (document number: <a href="#">551973</a> )					
Electrical connection						
Connection type	2 × M12 female connectors (D-coded), 1 × M12 male connector (A-coded) 2 × M12 female connectors (D-coded), 1 × M8 male connector					
Operating voltage	+12...30 VDC ±20 % (9.6...36 VDC)					
Power consumption	Less than 4 W typical					
Dielectric strength	500 VDC (DC ground to machine ground)					
Polarity protection	Up to -36 VDC					
Overvoltage protection	Up to 36 VDC					

1/ With position magnet # 252 182

## TECHNICAL DRAWING

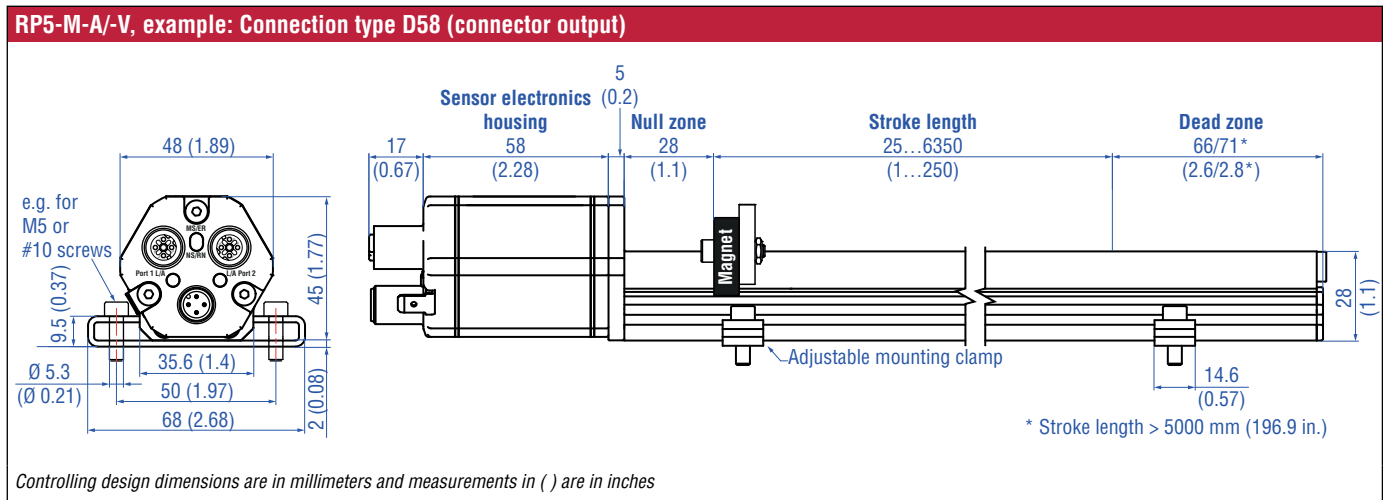


Fig. 3: Temposonics® RP5 with U-magnet


## CONNECTOR WIRING

D58			
<b>Port 1 – Signal</b>			
<b>M12 female connector (D-coded)</b>	<b>Pin</b>	<b>Function</b>	
	1	Tx (+)	
	2	Rx (+)	
	3	Tx (-)	
	4	Rx (-)	
<b>Port 2 – Signal</b>			
<b>M12 female connector (D-coded)</b>	<b>Pin</b>	<b>Function</b>	
	1	Tx (+)	
	2	Rx (+)	
	3	Tx (-)	
	4	Rx (-)	
<b>Power supply</b>			
<b>M12 male connector (A-coded)</b>	<b>Pin</b>	<b>Function</b>	
	1	+12...30 VDC (±20 %)	
	2	Not connected	
	3	DC Ground (0 V)	
	4	Not connected	

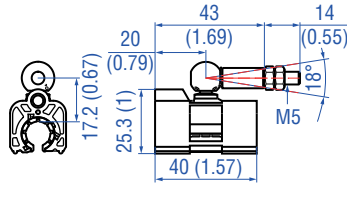
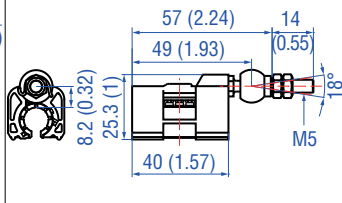
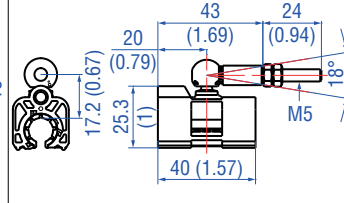
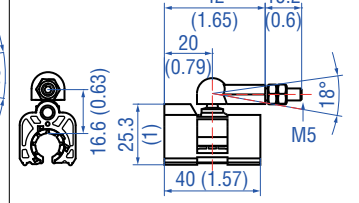
Fig. 4: Connector wiring D58

D56			
<b>Port 1 – Signal</b>			
<b>M12 female connector (D-coded)</b>	<b>Pin</b>	<b>Function</b>	
	1	Tx (+)	
	2	Rx (+)	
	3	Tx (-)	
	4	Rx (-)	
<b>Port 2 – Signal</b>			
<b>M12 female connector (D-coded)</b>	<b>Pin</b>	<b>Function</b>	
	1	Tx (+)	
	2	Rx (+)	
	3	Tx (-)	
	4	Rx (-)	
<b>Power supply</b>			
<b>M8 male connector</b>	<b>Pin</b>	<b>Function</b>	
	1	+12...30 VDC (±20 %)	
	2	Not connected	
	3	DC Ground (0 V)	
	4	Not connected	

Fig. 5: Connector wiring D56

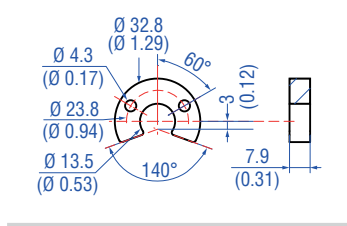
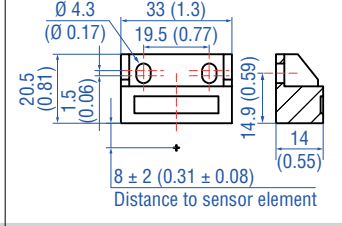
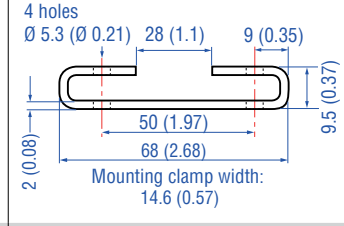
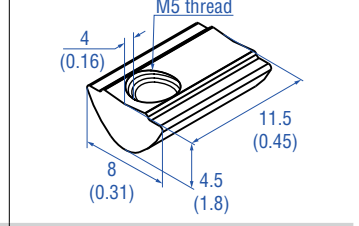
**FREQUENTLY ORDERED ACCESSORIES** – Additional options available in our [Accessories Guide](#)  551444

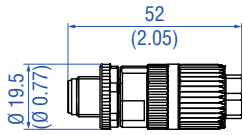
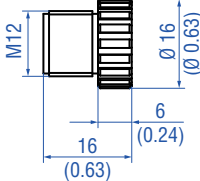
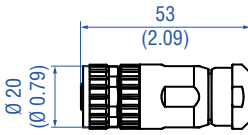
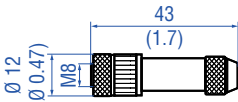
**Position magnets**





			
<p><b>Magnet slider S, joint at top</b> Part no. 252 182</p> <p>Material: GRP, magnet hard ferrite Weight: Approx. 35 g Operating temperature: -40...+85 °C (-40...+185 °F)</p>	<p><b>Magnet slider V, joint at front</b> Part no. 252 184</p> <p>Material: GRP, magnet hard ferrite Weight: Approx. 35 g Operating temperature: -40...+85 °C (-40...+185 °F)</p>	<p><b>Magnet slider N longer ball-joint arm</b> Part no. 252 183</p> <p>Material: GRP, magnet hard ferrite Weight: Approx. 35 g Operating temperature: -40...+85 °C (-40...+185 °F)</p>	<p><b>Magnet slider G, backlash free</b> Part no. 253 421</p> <p>Material: GRP, magnet hard ferrite Weight: Approx. 25 g Operating temperature: -40...+85 °C (-40...+185 °F)</p>

**Position magnets**

**Mounting accessories**

			
<p><b>U-magnet OD33</b> Part no. 251 416-2</p> <p>Material: PA ferrite GF20 Weight: Approx. 11 g Surface pressure: Max. 40 N/mm<sup>2</sup> Fastening torque for M4 screws: 1 Nm Operating temperature: -40...+105 °C (-40...+221 °F)</p> <p>Marked version for sensors with internal linearization: Part no. 254 226</p>	<p><b>Block magnet L</b> Part no. 403 448</p> <p>Material: Plastic carrier with hard ferrite magnet Weight: Approx. 20 g Fastening torque for M4 screws: 1 Nm Operating temperature: -40...+75 °C (-40...+167 °F)</p> <p>This magnet may influence the sensor performance specifications for some applications.</p>	<p><b>Mounting clamp</b> Part no. 400 802</p> <p>Material: Stainless steel (AISI 304)</p>	<p><b>T-nut</b> Part no. 401 602</p> <p>Fastening torque for M5 screw: 4.5 Nm</p>

Cable connectors* – Signal		Cable connectors* – Power	
			
<b>M12 D-coded male connector (4 pin), straight</b> <b>Part no. 370 523</b>	<b>M12 connector end cap</b> <b>Part no. 370 537</b>	<b>M12 A-coded female connector (4 pin/5 pin), straight</b> <b>Part no. 370 677</b>	<b>M8 female connector (4 pin), straight</b> <b>Part no. 370 504</b>
Material: Zinc nickel-plated Termination: Insulation-displacement Cable Ø: 5.5...7.2 mm (0.2...0.28 in.) Wire: 24 AWG – 22 AWG Operating temperature: –25...+85 °C (–13...+185 °F) Ingress protection: IP65 / IP67 (correctly fitted) Fastening torque: 0.6 Nm	Female connectors M12 should be covered by this protective cap Material: Brass nickel-plated Ingress protection: IP67 (correctly fitted) Fastening torque: 0.39...0.49 Nm	Material: GD-Zn, Ni Termination: Screw Contact insert: CuZn Cable Ø: 4...8 mm (0.16...0.31 in.) Wire: 1.5 mm <sup>2</sup> Operating temperature: –30...+85 °C (–22...+185 °F) Ingress protection: IP67 (correctly fitted) Fastening torque: 0.6 Nm	Material: CuZn nickel plated Termination: Solder Cable Ø: 3.5...5 mm (0.14...0.28 in.) Wire: 0.25 mm <sup>2</sup> Operating temperature: –40...+85 °C (–40...+185 °F) Ingress protection: IP67 (correctly fitted) Fastening torque: 0.5 Nm

Programming kit	Cables		
			
<b>TempoLink® kit for Temposonics® R-Series V</b> <b>Part no. TL-1-0-EM08 (D56) Part no. TL-1-0-EM12 (D58)</b>	<b>PUR signal cable</b> <b>Part no. 530 125</b>	<b>Signal cable with M12 D-coded male connector (4 pin), straight – M12 D-coded, male connector (4 pin), straight</b> <b>Part no. 530 064</b>	<b>Signal cable with M12 D-coded male connector (4 pin), straight – RJ45 male connector, straight</b> <b>Part no. 530 065</b>
<ul style="list-style-type: none"> <li>Connect wirelessly via Wi-Fi enabled device or via USB with the diagnostic tool</li> <li>Simple connectivity to the sensor via 24 VDC power line (permissible cable length: 30 m)</li> <li>User friendly interface for mobile devices and desktop computers</li> <li>See data sheet “TempoLink smart assistant” (document part no.: <a href="#">552070</a>) for further information</li> </ul>	Material: PUR jacket; green Features: Cat 5, highly flexible, halogen free, suitable for drag chains, mostly oil & flame resistant Cable Ø: 6.5 mm (0.26 in.) Cross section: 2 × 2 × 0.35 mm <sup>2</sup> (22 AWG) Operating temperature: –20...+60 °C (–4...+140 °F)	Material: PUR jacket; green Features: Cat 5e Cable length: 5 m (16.4 ft) Cable Ø: 6.5 mm (0.26 in.) Ingress protection: IP65, IP67, IP68 (correctly fitted) Operating temperature: –30...+70 °C (–22...+158 °F)	Material: PUR jacket; green Features: Cat 5e Cable length: 5 m (16.4 ft) Cable Ø: 6.5 mm (0.26 in.) Ingress protection M12 connector: IP67 (correctly fitted) Ingress protection RJ45 connector: IP20 (correctly fitted) Operating temperature: –30...+70 °C (–22...+158 °F)

\*/ Follow the manufacturer's mounting instructions

Controlling design dimensions are in millimeters and measurements in ( ) are in inches

## Cables



**PVC power cable**  
**Part no. 530 108**

Material: PVC jacket; gray  
Features: Shielded, flexible,  
mostly flame resistant  
Cable Ø: 4.9 mm (0.19 in.)  
Cross section:  $3 \times 0.34 \text{ mm}^2$   
Bending radius:  $10 \times D$   
Operating temperature:  
-30...+80 °C (-22...+176 °F)



**Power cable with M8 female connector**  
**(4 pin), straight – pigtail**  
**Part no. 530 066 (5 m (16.4 ft.))**  
**Part no. 530 096 (10 m (32.8 ft.))**  
**Part no. 530 093 (15 m (49.2 ft.))**

Material: PUR jacket; gray  
Features: Shielded  
Cable Ø: 8 mm (0.3 in.)  
Operating temperature:  
-40...+90 °C (-40...+194 °F)



## ORDER CODE

1	2	3	4	5	6	7	8	9	10	11	12	13	14	15	16	17	18	19	20
R	P	5										D	5		1	U	4		
a			b	c	d						e	f			g	h			

<b>a</b>	<b>Sensor model</b>
R P 5	Profile

<b>b</b>	<b>Design</b>
G	Magnet slider backlash free (part no. 253 421), suitable for internal linearization
L	Block magnet L (part no. 403 448)
M	U-magnet OD33 (part no. 251 416-2), suitable for internal linearization
N	Magnet slider longer ball-jointed arm (part no. 252 183), suitable for internal linearization
O	No position magnet
S	Magnet slider joint at top (part no. 252 182), suitable for internal linearization
V	Magnet slider joint at front (part no. 252 184), suitable for internal linearization

<b>c</b>	<b>Mechanical options</b>
A	Standard
V	Fluorelastomer seals for the sensor electronics housing

<b>d</b>	<b>Stroke length</b>
X X X X M	0025...6350 mm
<b>Standard stroke length (mm)</b>	<b>Ordering steps</b>
25... 500 mm	25 mm
500...2500 mm	50 mm
2500...5000 mm	100 mm
5000...6350 mm	250 mm
X X X X U	001.0...250.0 in.
<b>Standard stroke length (in.)</b>	<b>Ordering steps</b>
1... 20 in.	1.0 in.
20...100 in.	2.0 in.
100...200 in.	4.0 in.
200...250 in.	10.0 in.
Non-standard stroke lengths are available; must be encoded in 5 mm/0.1 in. increments.	

<b>e</b>	<b>Number of magnets</b>
X X	01...30 position(s) (1...30 magnet(s))

<b>f</b>	<b>Connection type</b>
D 5 8	2 × M12 female connectors (D-coded), 1 × M12 male connector (A-coded)
D 5 6	2 × M12 female connectors (D-coded), 1 × M8 male connector

<b>g</b>	<b>System</b>
1	Standard

<b>h</b>	<b>Output</b>
U 4 0 2	PROFINET RT & IRT, position and velocity, MTS profile (1...30 position(s))
U 4 0 1	PROFINET RT & IRT, position and velocity, encoder profile (1 position)
U 4 1 2	PROFINET RT & IRT, position and velocity, MTS profile, internal linearization (1...30 position(s))
U 4 1 1	PROFINET RT & IRT, position and velocity, encoder profile, internal linearization (1 position)

### NOTICE

- Select the MTS profile (U402 or U412) in **h** "Output" for multi-position measurement.
- For RP5, the magnet selected in **b** "Design" is included in the scope of delivery. Specify the number of magnets for your application. For multi-position measurements with more than 1 magnet order the other magnets separately.
- The number of magnets is limited by the stroke length. The minimum allowed distance between magnets (i.e. front face of one to the front face of the next one) is 75 mm (3 in.).
- Use magnets of the same type for multi-position measurement, e.g. 2 × U-magnet (part no. 251 416-2).
- If the option for internal linearization (U411, U412) in **h** "Output" is chosen, select a suitable magnet.

## DELIVERY



- Sensor
  - Position magnet (not valid for RP5 with design »0«)
  - 2 mounting clamps up to 1250 mm (50 in.) stroke length + 1 mounting clamp for each 500 mm (20 in.) additional stroke length
- Accessories have to be ordered separately.

Manuals, Software & 3D Models available at:  
[www.temposonics.com](http://www.temposonics.com)



## GLOSSARY

### E

#### Encoder Profile

The encoder profile corresponds to the specification of the encoder profile V4.2 (PNO no. 3.162). With this profile, the position and the velocity of one magnet can be measured and transferred simultaneously. (→ MTS Profile)

#### Extrapolation

The native measurement cycle time of a sensor increases with the stroke length. With extrapolation, the sensor is able to report data faster than the native cycle time, independent of the stroke length of the sensor. Without extrapolation, if data is requested faster than the native cycle time, the last measured value is repeated.

### G

#### GSDML

The properties and functions of a PROFINET IO field device are described in a GSDML file (**General Station Description**). The XML-based GSDML file contains all relevant data that are important for the implementation of the device in the controller as well as for data exchange during operation. The GSDML file of the R-Series V PROFINET is available on the homepage [www.mtssensors.com](http://www.mtssensors.com).

### I

#### Internal Linearization

The internal linearization offers an improved linearity for an overall higher accuracy of the position measurement. The internal linearization is set for the sensor during production.

#### IRT Filter

With PROFINET IRT (**Isochronous Real Time**) a clock-synchronous data transmission takes place. The application, the data transmission as well as the device cycle are synchronous. IRT enables a clock-synchronous data exchange with a minimum cycle time of 250 µs in the network. The R-Series V PROFINET supports PROFINET RT and IRT. (→ RT)

### M

#### MTS Profile

The MTS profile was developed by MTS Sensors and is tailored to the characteristics of magnetostrictive position sensors. With this profile, the positions and velocities of up to 30 magnets can be reported and transferred simultaneously. (→ Encoder Profile)

#### Multi-position measurement

During the measurement cycle, the positions of every magnet on the sensor are simultaneously reported. The velocity is continuously calculated based on these changing position values as the magnets are moved.

### P

#### PROFINET

PROFINET (**Process Field Network**) is an Industrial Ethernet interface and is managed by the PROFIBUS Nutzerorganisation e.V. (PNO). The R-Series V PROFINET and its corresponding GSDML file are certified by the PNO.

### R

#### RT

With PROFINET RT (**Real Time**) the data exchange is without clock synchronization. In this case, the application, the data transmission and the field devices operate according to their own processing cycle. The R-Series V PROFINET supports PROFINET RT and IRT. (→ IRT)

**UNITED STATES**  
**Temposonics, LLC**  
Americas & APAC Region  
3001 Sheldon Drive  
Cary, N.C. 27513  
Phone: +1 919 677-0100  
E-mail: info.us@temposonics.com

**GERMANY**  
**Temposonics**  
**GmbH & Co. KG**  
EMEA Region & India  
Auf dem Schüffel 9  
58513 Lüdenscheid  
Phone: +49 2351 9587-0  
E-mail: info.de@temposonics.com

**ITALY**  
Branch Office  
Phone: +39 030 988 3819  
E-mail: info.it@temposonics.com

**FRANCE**  
Branch Office  
Phone: +33 6 14 060 728  
E-mail: info.fr@temposonics.com

**UK**  
Branch Office  
Phone: +44 79 44 15 03 00  
E-mail: info.uk@temposonics.com

**SCANDINAVIA**  
Branch Office  
Phone: +46 70 29 91 281  
E-mail: info.sca@temposonics.com

**CHINA**  
Branch Office  
Phone: +86 21 2415 1000 / 2415 1001  
E-mail: info.cn@temposonics.com

**JAPAN**  
Branch Office  
Phone: +81 3 6416 1063  
E-mail: info.jp@temposonics.com

**Document Part Number:**  
551961 Revision B (EN) 03/2021



**temposonics.com**