



2020

EHD F0.85 Lenses



EHD imaging GmbH

9.3.2020

EHD F0.85 light intense lenses

Fixed Focal Length Lenses with F/0.85 for High Speed Cameras

Features

- **4/3" Sensor support**
- **F0.85 brightness**
- **C & M42 Mount**
- **Low distortion**
- **High contrast**

High-speed cameras can best use the EHD F0.85 series due to its immensely bright F number of 0.85. Up to 4/3" sensors are supported as well as C and M42 mounts. An internally constructed floating system of lens elements allows the lens to produce a low distortion, high contrast image at any magnification.

Model	Focal length (mm)	MOD (mm)	Angle of view (VxH)	Camera Mount
EHD-25085-M42	25	170	30.3 x 40.0	M42
EHD-25085-C	25	170	30.3 x 40.0	C
EHD-50085-M42	50	240	15.9 x 21.0	M42
EHD-50085-C	50	240	15.9 x 21.0	C

F0.85 Series



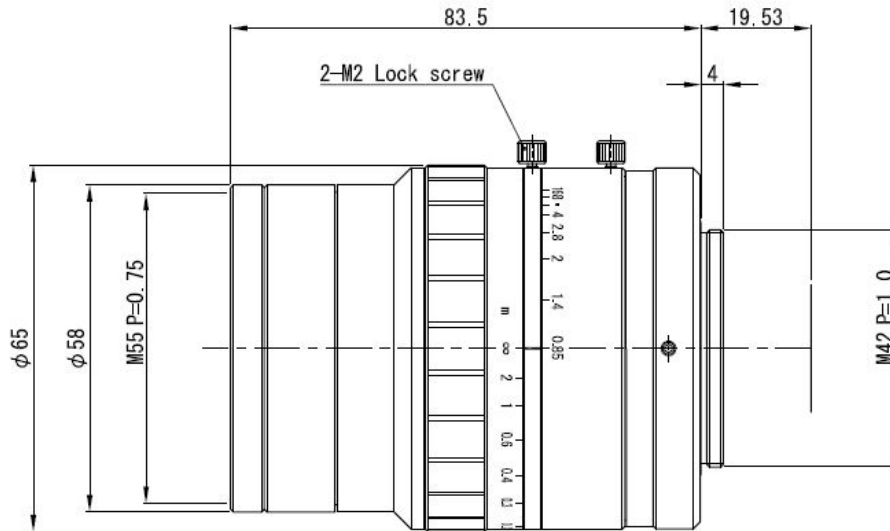
Technical Data

Modell	EHD-25085-M42
Focal Length f	25mm
Maximum Aperture Ratio	1:0.85
Aperture	F0.85 – 16
Angle of View (4/3")	30.3° x 40.0° (Diagonal: 49.1°)
M.O.D.	170mm
TV Distortion (4/3")	-1.21%
Operation	Manual (Lock screw M2)
Mount	M42 =1.0
Flange Back	19.53mm
Sensor Size (max.)	4/3"
Filter Thread	M55 P=0.75
Weight	570g
Dimension	D=65mm (max) x L=83.5mm

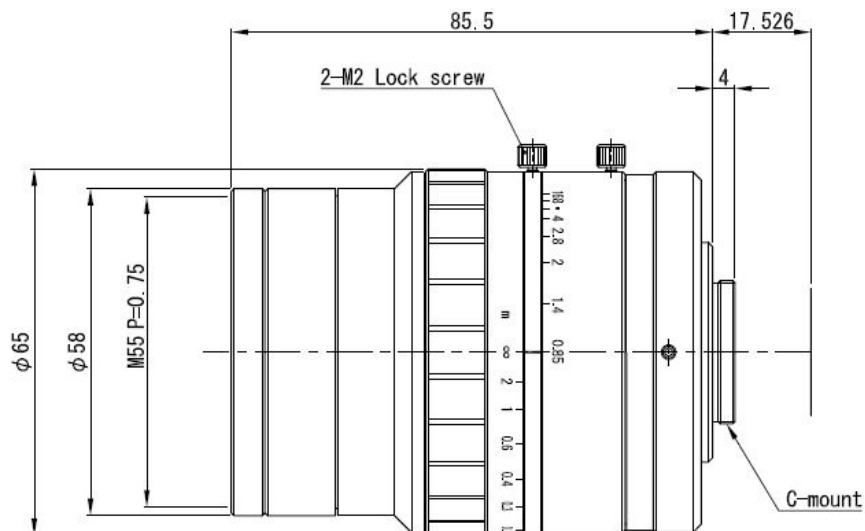
Modell	EHD-50085-M42
Focal Length f	50mm
Maximum Aperture Ratio	1:0.85
Aperture	F0.85 – 16
Angle of View (4/3")	15.9° x 21.0° (Diagonal: 26.0°)
M.O.D.	240mm
TV Distortion (4/3")	-0.30%
Operation	Manual (Lock screw M2)
Mount	M42 =1.0
Flange Back	19.53mm
Sensor Size (max.)	4/3"
Filter Thread	M62 P=0.75
Weight	610g
Dimension	D=65mm (max) x L=79.5mm

Dimensions

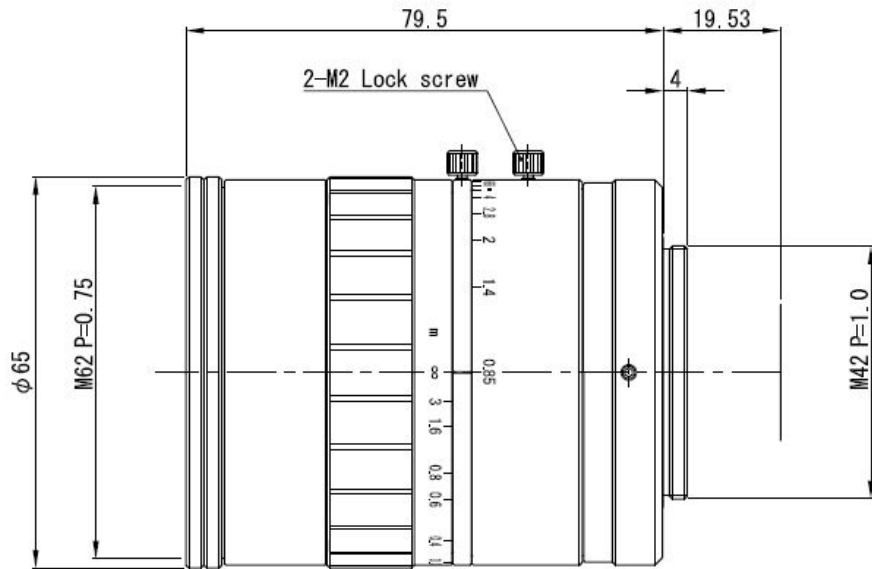
EHD-25085-M42



EHD-25085-C



EHD-50085-42



EHD-50085-C

