

SPECIFICATION

PH1 & PH2 Voltage Phase Ref. [10 & 11] (V ac RMS +/- 10%; Var./Fixed freq. 4 to 400Hz)	415V, 230V, 110V, 24V, 15V AC. (other voltages available on request)
Input power supply (nominal) [1 & 2]	18 to 24V ac or 24V dc @ 200mA
Signal span minimum	0-4V dc
Signal span maximum	0-25V dc
Signal zero offset	+60% and -40% of Span
Manual potentiometer	1K Ω , 5k Ω or 10k Ω
Signal input resistance	5k Ω ("V" Signal), 250 Ω ("mA" Signal) \pm 10%
Limit feedback input	3 - 25V dc
Soft start	0-30 seconds (adjustable)
Thyristor (SCR) line voltage	See Order Details
Trigger pulse height	8V dc open circuit
Trigger isolation voltage	2500V ac (RMS)
Trigger pulse rating	250mA in to 10 Ω
Storage temperature	0°C to +65°C
Max unit operating temperature	70°C
Dimensions (Inc DIN Enclosure)	122mm (D) by 70mm (H) by 56mm (W)

NOTE: (Limit feedback input): may be in the form of a Current Transformer (CT) used with a feedback PCB [see below for details] OR a Shunt used with an amplifier PCB [details not given] – for information contact Technical Sales Desk].

INSTALLATION

For CT Information see Datasheets X10391 (32A) and X10424 (240A)

Connections

This unit has simple 2.5mm clamp type terminal connectors for all input wiring requirements and 6.3mm AMP Tags for the Gate / Kathode (G/K) connections.

Fastening

The unit is secured by DIN-rail mounting feet for quick installation/removal.

Fusing

See SRA Data sheet X10255 for further information. Other external supplies should be fused accordingly.

CE Marking

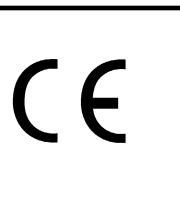
This product family carries a "CE" marking. When using in phase angle option, a suitable remote filter will be required. For more information, contact our sales desk. A Declaration of Conformity is available on request.

ORDER DETAILS

DMFC12 – (PH1 & PH2 Voltage)	A34537 - 110V ac	A34540 - 24V ac
	A34534 - 230V ac	A34542 - 15V ac
	A34535 - 415V ac	

Other Line Voltages available on request.

STOCK CODES (samples)



UNITED AUTOMATION LIMITED

1 Southport Business Park
Kew
Southport, PR8 4HQ
ENGLAND

Tel: 0044 (0) 1704 – 516500 Main
Fax: 0044 (0) 1704 – 516501
Enquiry@united-automation.com
www.united-automation.com

Page No. 4 of 4 Issue 3 Date 23/03/21

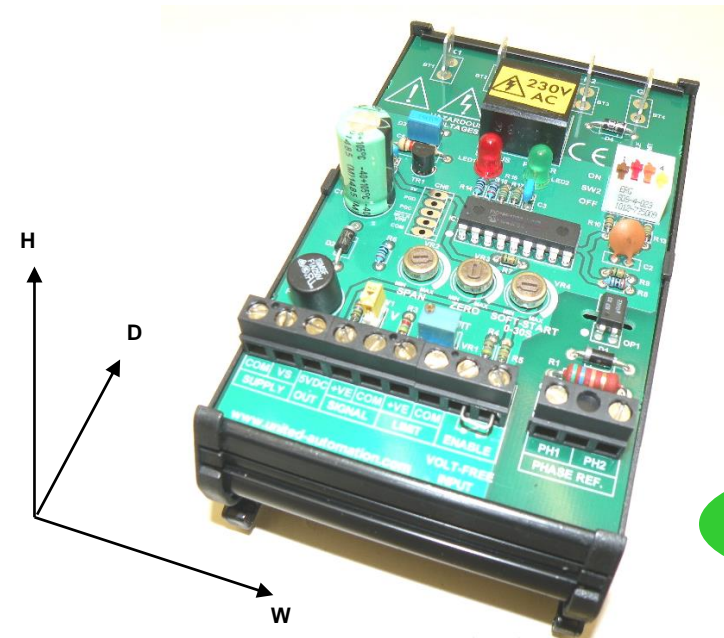


DMFC12

DMFC12

DUAL MODE FIRING CIRCUIT C/W SOFT START AND CURRENT LIMIT

X20035



RoHS Compliant
Directive
2002/95/EC

Dual-Mode Firing Circuit (DMFC12) Features

- Standard Din Rail mount
- Phase angle and burst fire modes of control
- Soft-start (0-30s)
- Current limit (using external CT/Hall-effect device or shunt with amplification)
- Enable input (volt-free)
- 0-5V/0-10V, 0-20mA/4-20mA or potentiometer input signal
- 24Vdc or 18-24Vac supply
- Output power span and zero adjustment
- Frequency tracking (4Hz – 400Hz)
- Pulse transformer output
- Power and status LEDs
- Phase-loss detection
- High resolution version available

Power Supply Terminals (1 & 2)

The DMFC12 accepts an 18-24V AC or 24V DC supply. This would be polarity sensitive when using a DC supply i.e. terminal 1 negative and 2 positive.

PH1 & PH2 Phase Reference Terminals (10 & 11)

See **POWER CONNECTIONS** (opposite) for typical wiring circuits. The connections made to the Phase ref. terminal are dependent on which circuit is being applied.

F1A fusing should be fitted as appropriate (as shown opposite), e.g. for single phase (230V & 110V and lower - fuse the LIVE; for two phase 400V - fuse both PHASES.

Power Output Modes

These Modes must be set before power up.

The DMFC12 can be configured to operate in burst fire, phase angle or dual output modes. The burst fire time base is 1 second. The soft start feature only works in phase angle mode and can be set between 0 (disabled) and 30 seconds. In dual mode, the DMFC12 soft starts in phase angle mode then switches to burst fire mode. The output modes are selected via the 4-way switch SW2.

Burst Fire Only – BROWN (No.1) switch set to 'ON', RED switch set to 'OFF'

Phase Angle Only – RED (No.2) switch set to 'ON', BROWN switch set to 'OFF'

Dual Mode – Both BROWN and RED switches set to 'ON'

Input Signal Terminals (3, 4 & 5)

The DMFC12 supports input signals in the range of 0-30Vdc and 0-20mA. This includes industry-standard signals of 0-5V, 0-10V and 4-20mA. Also, a 5Vdc output is provided to allow a potentiometer to be connected directly to the DMFC12. The 'SPAN' (VR2) and 'ZERO' (VR3) cermet provide the facility to scale the input signal [See **Typical Control Options** section with SPAN and ZERO settings]. Switch SW1 sets the source of the input signal to voltage (V) or current (I).

Current Limit Terminals (6 & 7)

The DMFC12 includes a current limit selected by SW2 DIL switch with ORANGE (No.3) in the 'ON' position. This feature prevents the load current from exceeding a pre-defined value. The unit accepts a D.C. voltage feedback signal which can be scaled via the on-board 'SET LIMIT' multi-turn preset (VR1). The feedback signal is continuously compared to a 2.5V internal reference: reducing the output voltage when the magnitude of the feedback signal rises above it.

Enable Input Terminal (8 & 9)

A 'volts free' enable input allows the DMFC12 to be controlled externally. If configured, a 'soft start' occurs each time the DMFC12 is enabled. Close contacts to enable.

Soft Start Adjustment

The 'soft start' ramps up power to the signal setting over the same proportion of time period selected by 'SOFT START' cermet (VR4). e.g. If the soft start is set for 30 seconds and the signal input is 50%, then the output will ramp up to 50% in 15 seconds.

Span and Zero Adjustment

The Span and Zero cermet (VR2 & VR3) allow the user to set the minimum and maximum output voltage in relation to the input signal range [see **Typical Control Options**].

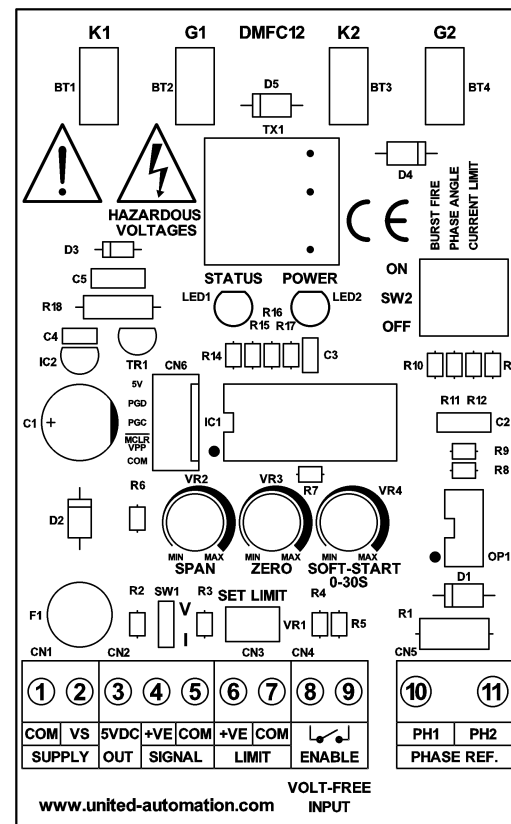
LED Indicators

The DMFC12 has two LED indicators. The green 'Power' LED2 is lit when power is supplied to the DMFC12. The red 'Status' LED1 represents the current output power and its intensity will vary for phase angle mode and flash on a 1-second time-base for burst fire mode. The red 'Status' LED1 also flashes rapidly when the phase reference signal is not present.

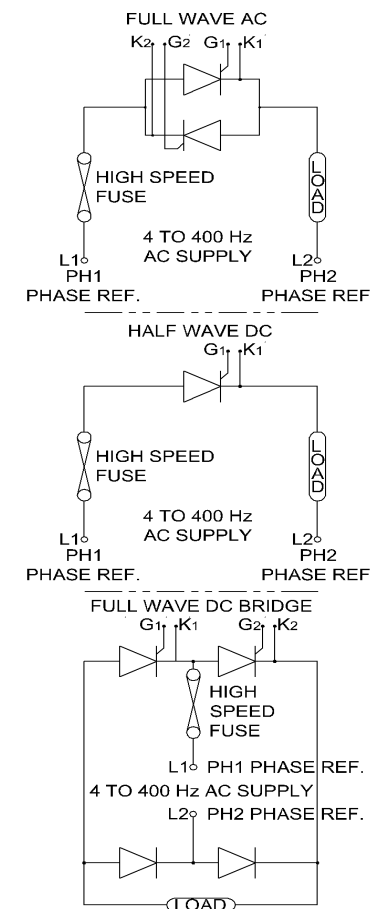
Variable or Fixed Line Frequency

The DMFC12 is capable of providing power control with line voltages of fixed or varying frequencies from 4Hz to 400Hz by continually measuring the duration of each a.c. half-cycle and adjusting the timing of the thyristor gate signals.

TERMINAL CONNECTIONS

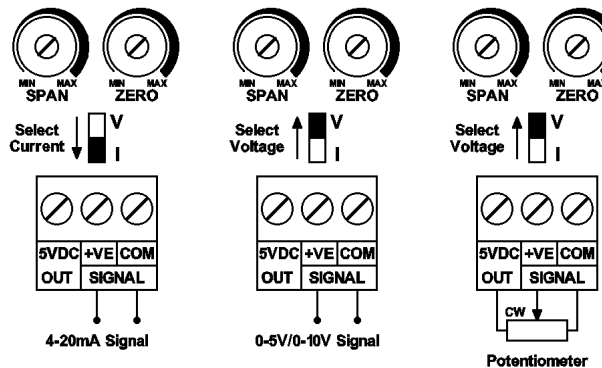


POWER CONNECTIONS



Typical Control Options

Adjust SPAN and ZERO to set the Maximum and Minimum Output Respectively



SAFETY RECOMMENDATIONS Installation

It is recommended that installation and maintenance of this equipment should be carried out by suitably qualified/trained personnel with reference to the current edition of the I.E.E. wiring regulations (BS7671)

The regulations contain important requirements regarding the safety of electrical equipment. For International Standards refer to I.E.C/ Directive IEC 950.

Warning

1. LIVE terminals – Isolate supply before commencing any installation work.
2. Unit must be secured on DIN rail using the DIN-Housing Supplied.