



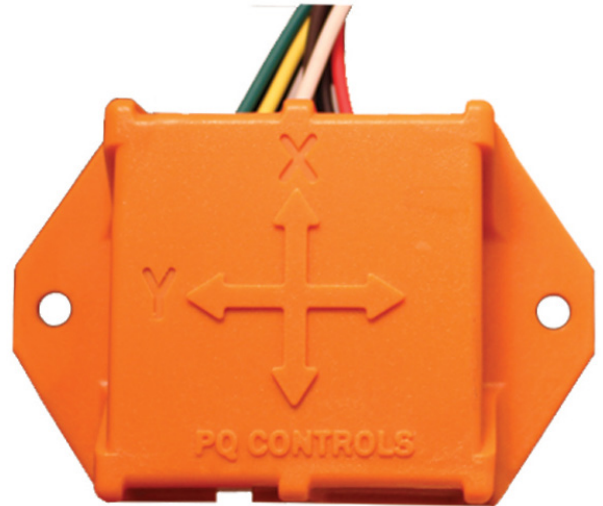
Level Sensor A450

Accel/Gyro based level sensor, with CANbus Output

- **Omni-Directional Sensing:**
Provides sensing in 360 degrees of movement
- **Reverse polarity and short circuit protection**

The Purpose of the model A450 omni-directional level sensor is to monitor the level condition of a platform. A signal is provided to the operator whenever the base upon which the sensor is mounted is out of level in any direction. Typical applications include manlifts, cranes and mobile platforms.

Improvements in digital accelerometer devices permit the design of a level sensor with a higher degree of sensitivity and reliability while reducing end user cost and simplifying field applications. The PQ model was developed with a micro controller interface which allows fewer peripheral components and a smaller control footprint. A new "Zero button" has been added to allow further factory or field customization. The new level sensor can be configured in digital or CANbus output, with a wide range of calibrated settings up to an 80° tilt.



Electrical Data	
Voltage Supply	10-60VDC (Optional 5VDC)
Current Consumption	70mA @ 30VDC
CANbus Protocol	J1939 or CANopen
Digital Output	4A Max Sourcing
Firmware: CANbus software	125 Kb/s BAUD rate
Mechanical Data	
Node ID	0x33
PDO	0x1B3
Sampling Rate of Gyroscope	100Hz
Zero Sensor at Current position	Hold for 5 Seconds
Revert Back to Factory Settings (Absolute Zero)	Hold for 10 Seconds
Trip Angle Range	0.5 to 45° - Factory preset to 45°
Time Delay Range	0 to 25 seconds - Factory preset to 1.0 sec
Reset Delay Range	0 to 25 seconds - Factory preset to 0 sec
Sensor Output Filter	Max Trip angle +.05



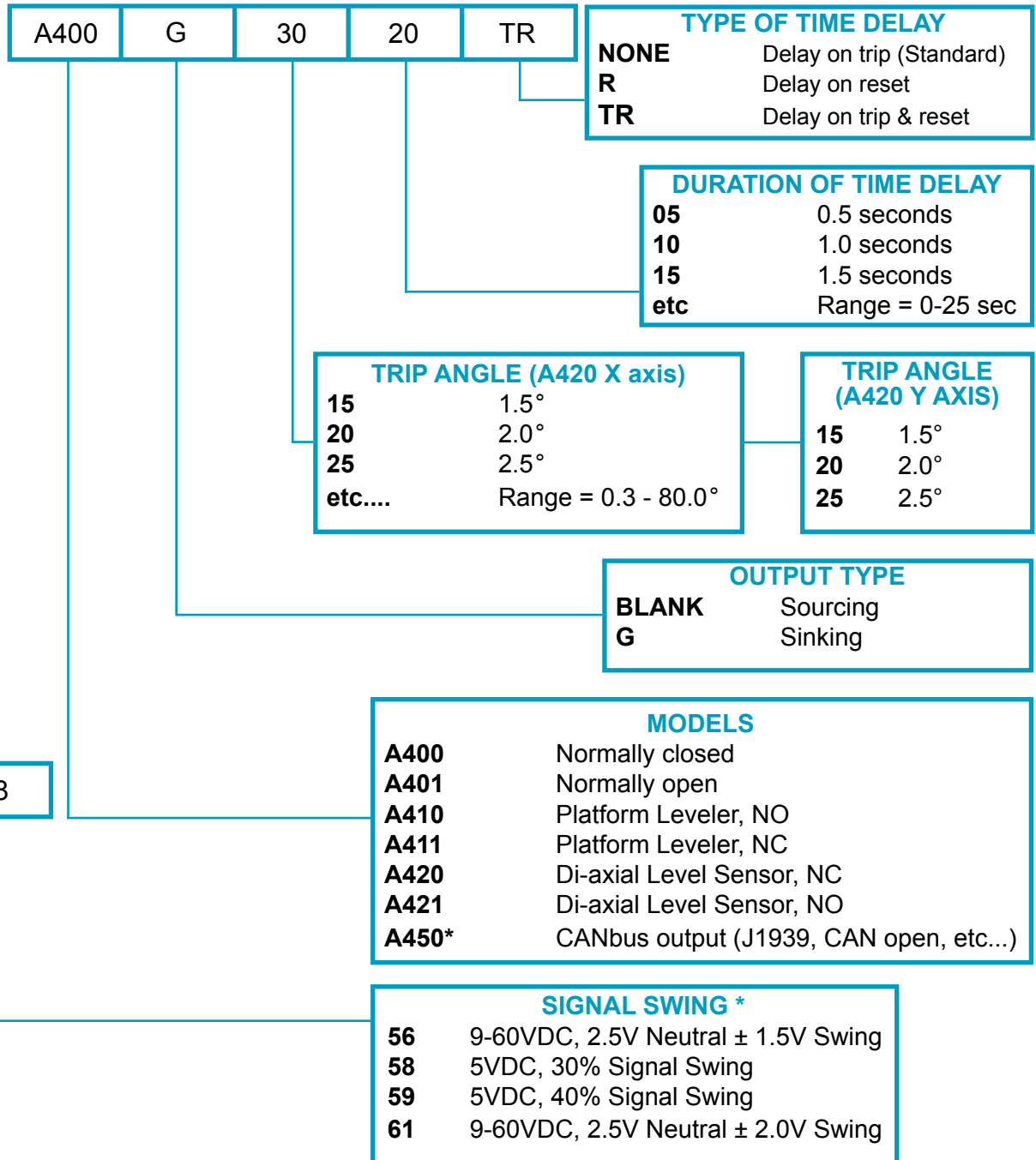
Level Sensor A450

Accel/Gyro based level sensor, with CANbus Output

LEVEL SENSOR PART NUMBERING

Example: A400G-30-20TR

Normally closed, Sinking, 3° trip angle, 2 sec time delay on trip & reset with fixed time delay

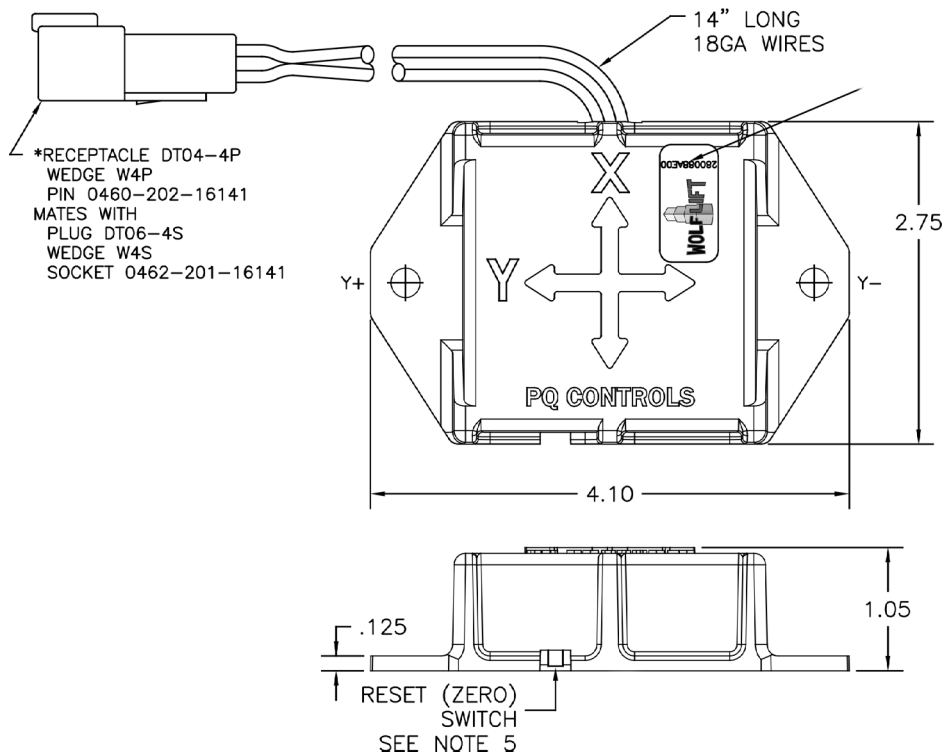
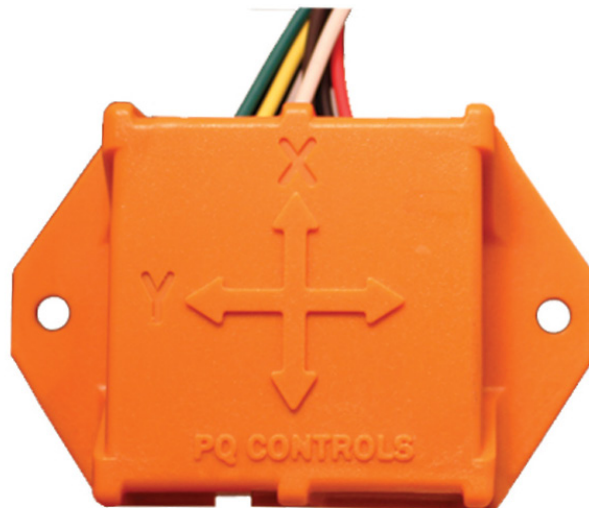




Level Sensor A450

Accel/Gyro based level sensor, with CANbus Output

Technical Drawing Example



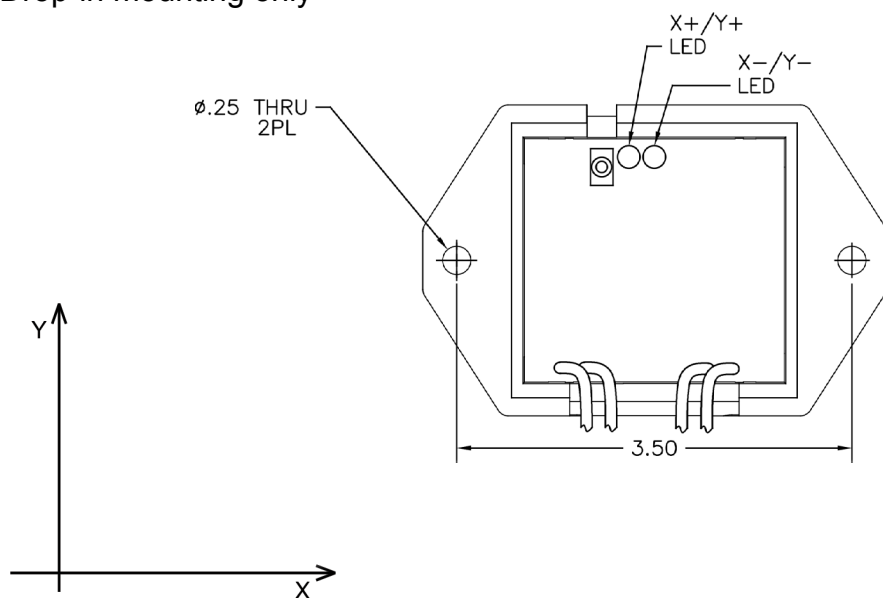


Level Sensor A450

Accel/Gyro based level sensor, with CANbus Output

Mounting Dimensions

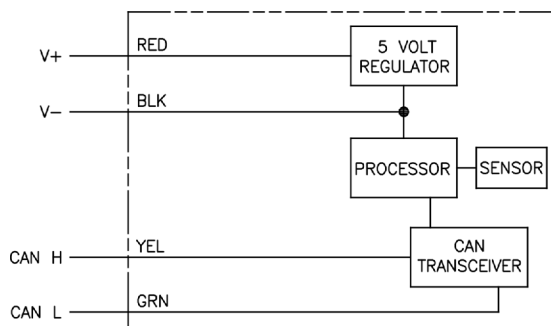
Drop-in mounting only



All dimensions in inch

Wiring (A450 model)

Color	Function
Green	CAN High
Yellow	CAN Low
Red	VS
Black	Ground



Note:

1. Additional Options possible, please contact sales for information
2. Output wires varies with model
3. These models are not field adjustable
- 4 Customer can specify the connector, the default connector is the Deutsch DT04 - 6P