

**A4**  
Digital Amplifier



**Montalvo A4 Digital Amplifier**

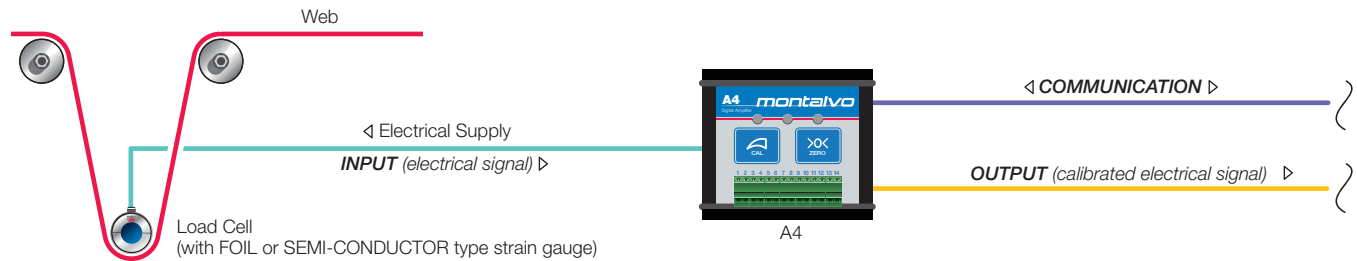
The A4 Digital Amplifier combines simplicity & functionality in one small convenient package. It has been engineered to meet the demands of today's industry while making operation simple for any user.

**Features**

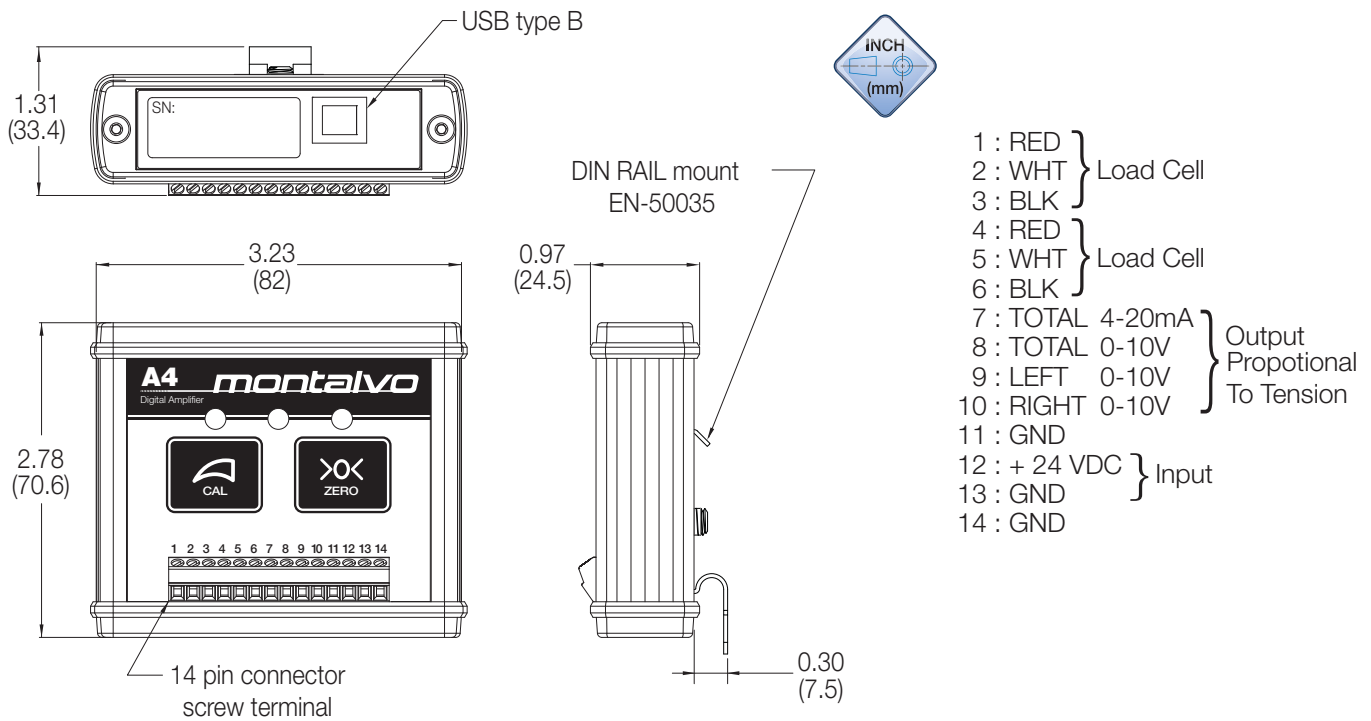
- ▶ **One Button Calibration**
- ▶ **Auto Fault/Damage Detection** of load cells
- ▶ **Drive & PLC Integration** to control tension or trim
- ▶ **USB** for remote calibration & monitoring
- ▶ **3 Channel Output** - Left, Right & Total monitoring
- ▶ **Multiple Signal Output** 4-20mA, 0-10V or 0-100µA selectable
- ▶ **Digital or Analog** meter output
- ▶ **24 Volt** supply for safe operation & reduced EMI
- ▶ **Semiconductor & Foil Gauge** load cell compatibility
- ▶ **DIN Rail** mount for easy installation



## How it works



## Dimensions



## Specifications

### Electrical

Supply Voltage .....	24 VDC
Oversvoltage Category .....	III (IEC 66-4)
Load Cell Input Range .....	±50mV / ±250 mV
Load Cell Supply .....	5 VDC ±1%
Gain Adjustment.....	11 to 510
Maximum Power Consumption.....	3.5 VA
Maximum Power Supply Fuse .....	10 A
Oversvoltage Category .....	III (IEC 66-4)
Connector .....	14 pin/screw
Communication Connector.....	USB Type B

### Other

Mounting .....	DIN Rail EN-50035
Mounting Orientation .....	Not Critical
Temperature Range:	
Operating .....	+14 to +122°F (-10 to +50°C)
Storage .....	+14 to +176°F (-10 to +80°C)
Humidity .....	<95% Non-Condensing
Degree of Protection.....	IP20 (IEC 529)

## Related Montalvo Products

- The ES-Series Load Cells
- The U-Series Load Cells
- The N-Series Load Cells
- The M4 Analog Meter

	207-856-2501 / 800-226-8710
	+86-21-52188010
	+45 75 57 27 11
	+49 (0)511 760 691 41