

Feedback Rod Linear Actuator



Capable, versatile, and offering repeatable performance, the Feedback Rod Linear Actuator is equipped with a Bourns 10 turn potentiometer allowing you to determine the position of the actuator at any point in time. This actuator is available in various strokes with forces ranging from 35 - 200 lbs.

Standard Features and Benefits

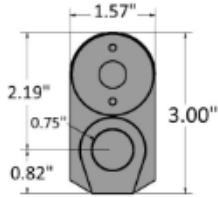
- **Internal limit switches** automatically shut off the unit at the end of stroke
- **Standard stroke lengths** of 2, 4, 6, 8, and 12 inches are available
- Delivers up to **200 lbs. of force** at an extension speed of .3 inches per second
- **IP 54 rated** - limited ingress protection
- **Temperature operating range** of -15°F to 150°F (-26°C to 65°C)
- Built in **Bourns potentiometer** with 10k Ohm resistance
- **High grade aluminum housing** resists corrosion
- Easily connects to feedback reading device like **Arduino**
- **Maintenance free**
- **CE and RoHS** certified

Specifications

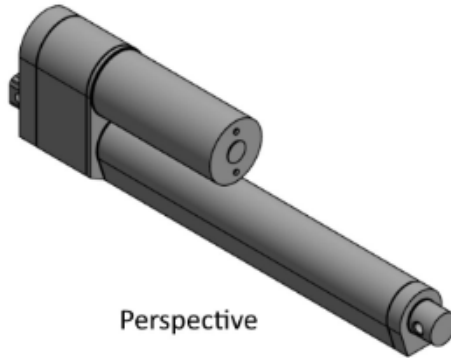
| Model | FA-PO-35-12-XX | FA-PO-150-12-XX | FA-PO-240-12-XX |
|-------------------------|---|-----------------|-----------------|
| Dynamic Force | 35 lb | 150 lb | 240 lb |
| Static Force | 70lb | 300 lb | 400 lb |
| Speed (inches/second) | 2 inches | 0.5 inches | 0.3 inches |
| Duty Cycle | 20% at 100% load, 50% at 25% load. Max. 5 minutes continuous use | | |
| Stroke Length | 2, 4, 6, 8, and 12 inches | | |
| IP Rating | 54 | | |
| Input | 12 volt DC | | |
| Max Draw | 5 A | | |
| Clevis End | 1/4" diameter | | |
| Operational Temperature | -15°F to 150°F (-26°C to 65°C) | | |
| Limit Switch | Built-in (factory preset) | | |
| Safety Certifications | CE, RoHS | | |
| Brackets | MB1 and/or MB6 | | |
| Feedback | 10K Ohm 3-wire potentiometer, Linearity +/- 0.25% Power Rating 1 - 1.5 W | | |

Dimensions and Weight

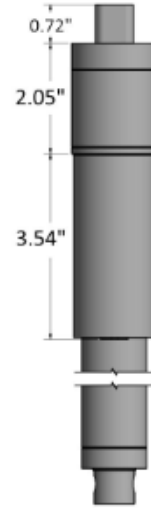
| Stroke | Retracted Length | Extended Length | Weight |
|--------|------------------|-----------------|----------|
| 2 " | 7.9 " | 9.9 " | 2.7 lbs |
| 4 " | 9.9 " | 13.9 " | 2.9 lbs |
| 6 " | 11.9 " | 17.9 " | 3.1 lbs |
| 8 " | 13.9 " | 21.9 " | 3.4 lbs |
| 12 " | 17.9 " | 29.9 " | 3.85 lbs |



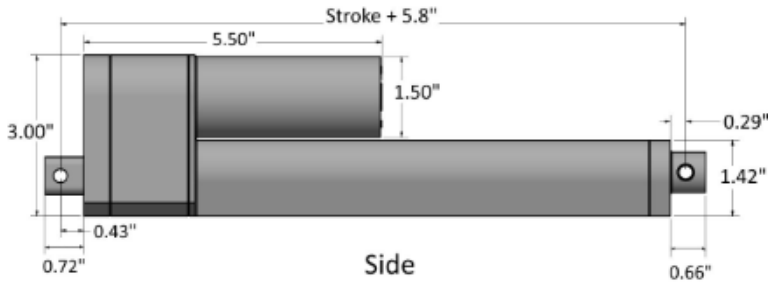
Front



Perspective



Top

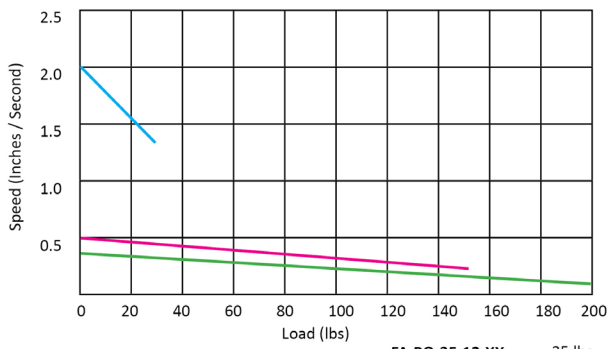


Side

FA-PO-35-12-X
FA-PO-150-12-X
FA-PO-240-12-X

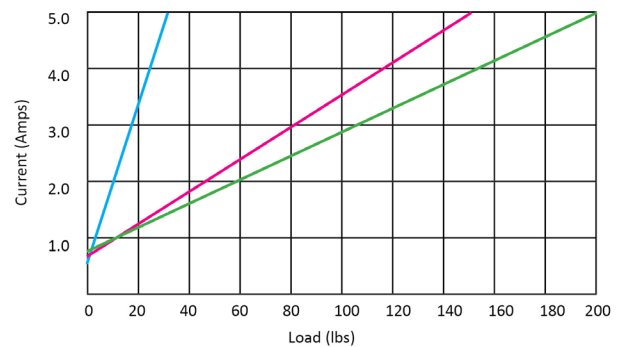
Performance Graphs

12V DC Speed vs Load



FA-PO-35-12-XX — 35 lbs
 FA-PO-150-12-XX — 150 lbs
 FA-PO-240-12-XX — 200 lbs

12V DC Current vs Load



FA-PO-35-12-XX — 35 lbs
 FA-PO-150-12-XX — 150 lbs
 FA-PO-240-12-XX — 200 lbs