

Three Leg Sit-Stand Desk

Firgelli Automations three leg electric height adjustable desk frame converts from sitting to standing at the push of a button. Triple electric linear actuators in each three stage telescoping leg provide a height range of 25". Manufactured from steel, the frame is durable and stable at any height. The programmable handset allows three different heights to be stored. Safety is ensured with the collision avoidance system which automatically stops the desk if a collision is sensed. The universal frame is adjustable to fit many desktop sizes.



Standard Features and Benefits

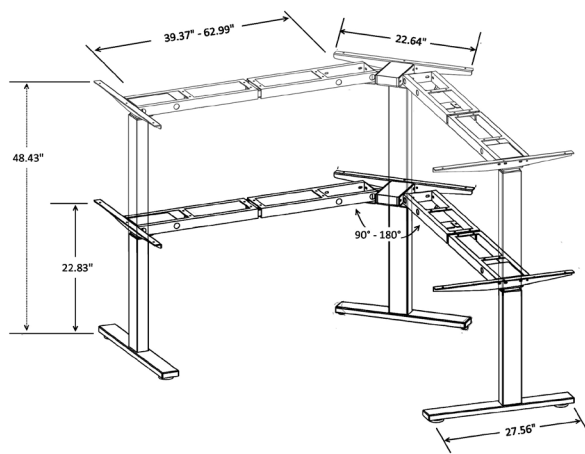
- Three stage telescoping legs provide superior height range of 23 ½" - 49"
- Can be set up in L formation or inline formation
- Triple high-powered DC motors ensure smooth and quick height adjustments while maintaining heavy lifting ability
- Steel frame guarantees a stable work station even when fully extended
- Deluxe programable handset allows user to change heights at the push of a button
- Advanced microprocessor controller measures speed and proximity of each actuator to ensure all three lifting columns are perfectly synced
- Collision avoidance system safeguards against accidents and injuries by automatically stopping desk frame when a collision is detected
- Weight capacity of 337 lbs
- Adjustable width accommodates desks from 40" - 100" per side (depending on overhang)
- Speed 1.25" per second at no load



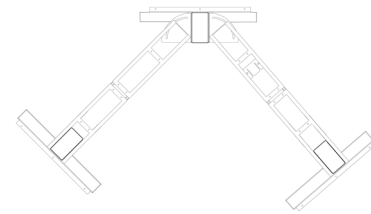
Safety Collision Avoidance System
Safeguards and avoid injuries.



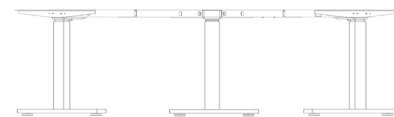
Model	FA-35-TT / FA-35-TT-B
Input Power	110 V
Output Power	24V
Speed (inches/second)	1.25 inches per second
Weight Capacity	337 lbs
Duty Cycle	10% maximum. 2 min. on 18 min. off
Height Range	22 ½" - 48 ½"
Frame Width	Adjustable from 39" - 63" per side
Frame Colors	Black or Grey
Operational Temperature	32°F to 104°F (0°C to 40°C)



**FA-35-TT
FA-35-TT-B**



L Shape Configuration



In Line Configuration

HEIGHT-ADJUSTABLE TABLE POSTURE

