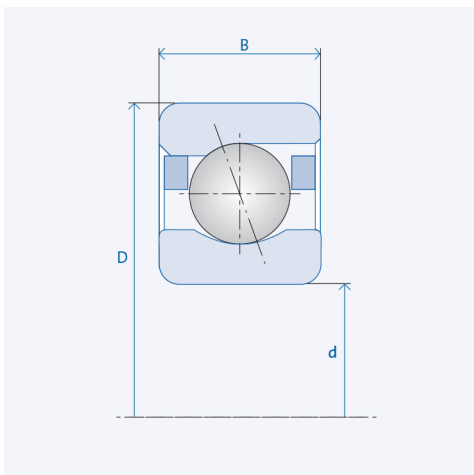


# Spindle ball bearings (HY)\* SM 608 C



## Precision class P4 / ABEC7

### Components

Bearing designation:	(HY)* SM 608 C
Bearing design:	SM
Series / size:	608
Ball material:	Steel 100Cr6
Ball material HY :	Ceramic Si3N4
Cage:	TA (TXM available upon request)
Precision:	P4 (HG, UP, P2 upon request)
Main dimensions [d x D x B]:	8 x 22 x 7 mm

### Technical data (Standard bearings)

Static load capacity $C_0$ :	980
Dynamic load capacity C:	2700
Speed limit $n_{Fett}$ :	102000
Speed limit $n_{Oj}$ :	136000

### Technical data (Hybrid bearings)\*

Static load capacity $C_{0HY}$ :	685
Dynamic load capacity $C_{HY}$ :	2700
Speed limit $n_{Fett}$ :	127500
Speed limit $n_{Oj}$ :	170000

### Pre-tension

Light (L):	13 N
Axial rigidity ( $C_{ax}$ ):	10 N/ $\mu$ m
Medium (M):	40 N
Axial rigidity ( $C_{ax}$ ):	16 N/ $\mu$ m
Heavy (S):	80 N
Axial rigidity ( $C_{ax}$ ):	22 N/ $\mu$ m
Spring preload (Ff):	85 N

The given speed limits apply to individual bearings with spring preload. Correction factors must be considered for all properties which deviate from this.

\* All ball bearings are also available as hybrid ball bearings (HY).