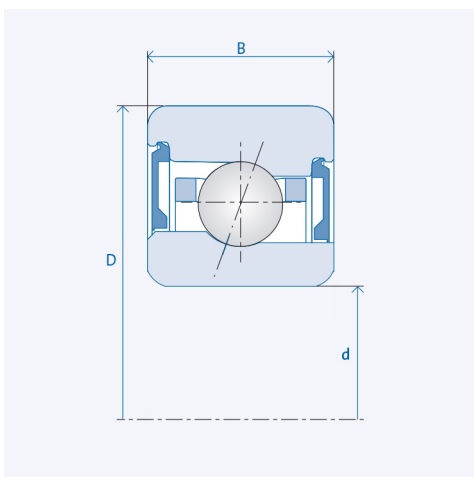


Spindle ball bearings (HY)* KH 61909 C



Precision class P4 / ABEC7

Components

Bearing designation:	(HY)* KH 61909 C
Bearing design:	KH
Series / size:	61909
Ball material:	Steel 100Cr6
Ball material HY :	Ceramic Si3N4
Cage:	TA (TXM available upon request)
Seal:	2RZ upon request
Precision:	P4 (HG, UP, P2 upon request)
Main dimensions [d x D x B]:	45 x 68 x 12 mm

Technical data (Standard bearings)

Static load capacity C_0 :	5150
Dynamic load capacity C:	7300
Speed limit n_{Fett} :	28500
Speed limit n_{Oj} :	38000

Technical data (Hybrid bearings)*

Static load capacity C_{0HY} :	3600
Dynamic load capacity C_{HY} :	7300
Speed limit n_{Fett} :	35625
Speed limit n_{Oj} :	47500

Pre-tension

Light (L):	35 N
Axial rigidity (C_{ax}):	40 N/ μ m
Medium (M):	110 N
Axial rigidity (C_{ax}):	61 N/ μ m
Heavy (S):	220 N
Axial rigidity (C_{ax}):	81 N/ μ m
Spring preload (Ff):	265 N

The given speed limits apply to individual bearings with spring preload. Correction factors must be considered for all properties which deviate from this.

* All ball bearings are also available as hybrid ball bearings (HY).