

# disperator® FOOD WASTE DISPOSERS

## 500V-BASIC EXCELLENT SERIES



Standard delivery includes the outer disposer housing and installation assembly made of stainless steel AISI304. As option the housing with assembly are also available in acid proof stainless steel AISI316 for outdoor installation in sea water environments

### Included in standard delivery



Contactors with motor protector



Solenoid valve



Line strainer



Jam release wrench for grinding unit

Disperator food waste disposers are used in galleys and kitchens around the world, providing an efficient and immediate removal of food waste whenever it arises. Thereby improving hygiene in the working environment, eliminating bad odors and bacteria formation and minimizing manual handling.

Our product range is designed with the user's needs in focus and meets the modern requirements for handling food waste. The 500V-BASIC is the preferred choice when height is absolute crucial and provides for a greater flexibility at installation site. Having the motor side-mounted and out from under the grinding chamber eliminate any motor damage caused by water leakage. To minimize sound emission the outer housing of stainless steel EN 1.4301 (AISI 304) is sound absorbing. The quality grinding unit with hardness from specially cast steel alloy and protection class IP55 or higher on electrical components ensure years of reliable

operation and low maintenance cost.

Datasheet describing Disperator assembly above the disposer inlet (which is necessary to comply with the EU Machine Directive and CE-marking) is sent on request. The assembly models for installation of the 500A disposer series below sinks, washing lines (i.e. ATF, BS and DRR) and table tops (i.e. MI, HK and UK) are also available for the 500V-Series.

Standard delivery includes a complete contactor with motor overload protector, and a complete solenoid valve with line strainer, to be installed at site.

All Disperator Excellent 500-Series of disposers have the Statement of Compliance issued by DNV GL verifying compliance with applicable sections of MARPOL Annex V REGULATIONS FOR THE CONTROL OF POLLUTION BY GARBAGE FROM SHIPS AND PLATFORMS, as amended in 2019.

### Disperator AB

Mälärvägen 9, SE-141 71 Segeltorp, Sweden  
Tel +46-8-724 01 60  
info@disperator.se, www.disperator.se



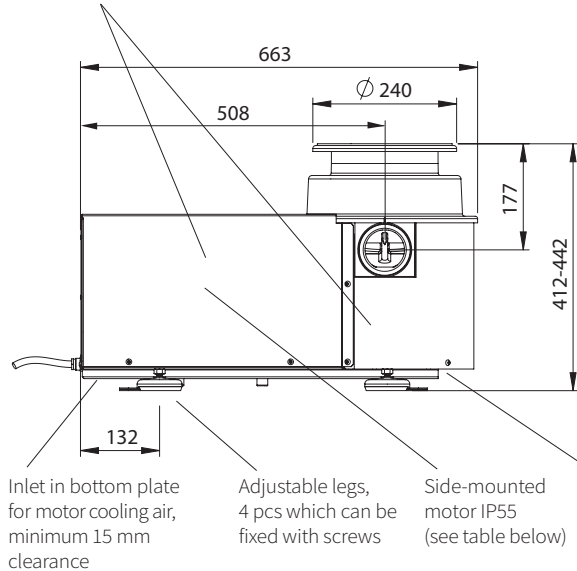
Ref: 500V\_BAS\_pb\_en\_211018

# disperator® FOOD WASTE DISPOSERS

## 500V-BASIC EXCELLENT SERIES

Side view

Disposer housing, stainless steel, EN 1.4301, (BS 304S16, AISI 304). As option EN 1.4401 (AISI316)



Inlet in bottom plate for motor cooling air, minimum 15 mm clearance

Adjustable legs, 4 pcs which can be fixed with screws

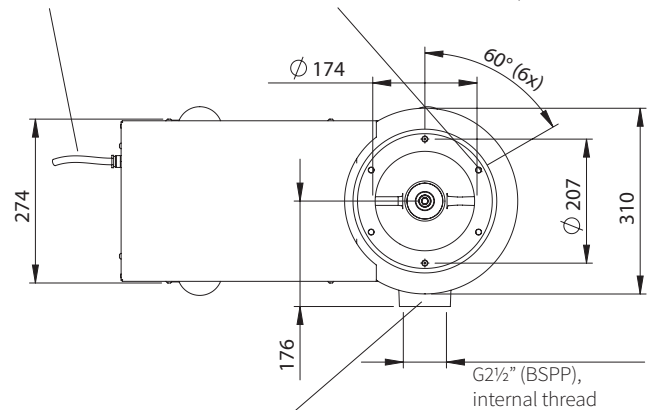
Side-mounted motor IP55 (see table below)

Labyrinth outlet for motor cooling air

Top view

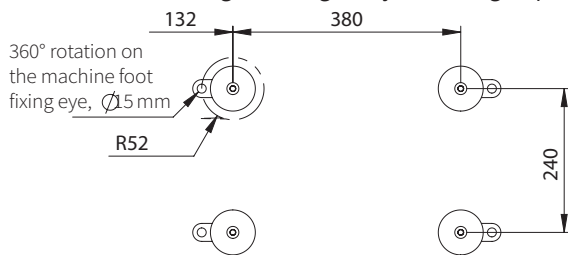
Motor cable outlet and 2 m cable for connection to start/stop unit, see (2)

Fixing holes  $\varnothing$  9 mm, 6 pcs. and gasket for assembly connection. For CE-marking an approved assembly from Disperator or other manufacturer is needed above disposer inlet.



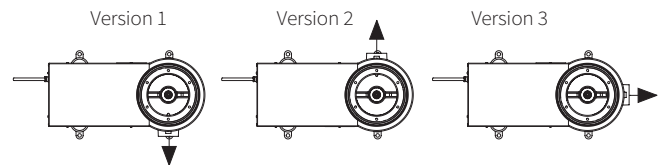
Disposer outlet to be connected to a water trap, see (1). Slope of drain pipe 2:100

Positioning of in height adjustable legs, 4pcs



All measurements in mm

Alternative directions on the disposer outlet. When ordering, enter the desired version.



### Technical specification 530V-BASIC

Normal capacity, kg / hr	700
Electrical power, kW	2,5
Rated current, A to be set on the disposer motor protector for the following voltages:	
400 V / 3 ph. / 50 Hz	5,0
440 V / 3 ph. / 60 Hz	5,0
Other 3-ph. voltages available.	
Control voltage	For marine installation the same as motor voltage. For land installation 230V/50Hz.
Fuse rating, slow	16 A
Characteristic for automatic fuse	D (slow)
Gross / net weight, kg	89 / 57

The disposer works in the temperature range -5°C to +40°C

Subject to change without notice

(1) Installation material needed but not incl. in standard delivery are:

- main electrical safety switch placed on wall/bulkhead for incoming electricity,
- hose with protective steel-covered stocking (minimum inner  $\varnothing$  9mm) for cold flush water,
- vacuum valve for flushing water pipe when flushing nozzle in hopper is used,
- water trap, G2 1/2" (BSPP), external thread for connection to disposer outlet,
- torque protection bar, 2 pcs. for fixing the machine in wall/bulkhead (as an alternative to fixing the legs in the floor/floorboard).

Can be ordered from DISPERATOR.

(2) For connection to start/stop unit including contactor and overload protector (IP66) placed on wall/bulk head. Start/stop unit to be connected to main electrical safety switch, see (1), but not to earth leakage circuit breaker.

(3) User manual with installation and service instructions, laminated operating instructions and laminated safety instructions as well as electrical documentation are included in delivery.

## Disperator AB

Mälärvägen 9, SE-141 71 Segeltorp, Sweden  
Tel +46-8-724 01 60  
info@disperator.se, www.disperator.se

Ref: 500V\_BAS\_pb\_en\_211018