



PETERSIME
INCUBATORS & HATCHERIES

X-Streamer™ 4S HD

High Density single-stage setter
engineered for higher capacity



Features & benefits

- ▶ Increased capacity of 21,504 chicken eggs
- ▶ Increased capacity of 16,128 duck eggs
- ▶ Incubation X-knowledge (egg knowledge) module™ enables full control over every step in the hatchery operation
 - ▶ Automatically suggests the right incubation profile
 - ▶ Predefines the exact position of a trolley
 - ▶ Every trolley can be tracked and traced inside the hatchery
- ▶ Petersime's patented Embryo-Response Incubation™ technology providing the highest chick output and automatic environment control:
 - ▶ CO₂NTROL™ for optimum CO₂ levels
 - ▶ OvoScan™ HD for accurate temperature control
 - ▶ DWLS™ HD for optimum humidity levels
- ▶ Intuitive user interface for ease of use
- ▶ Eye-Blink™ for instantaneous overview of incubator status
- ▶ Eco-Drive™ technology for lowest energy costs
- ▶ Sealed cabinet for highest bio-security
- ▶ Maintenance friendly
- ▶ Future proof and durable construction

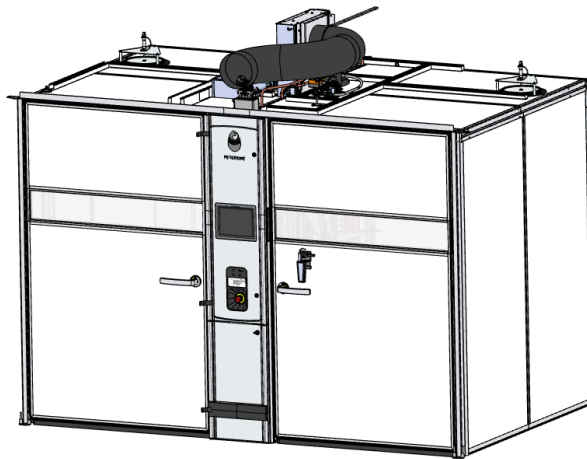
**WHEN®
CHICKS
COUNT**

Description

The X-Streamer™ 4S HD or High Density is a member of Petersime's series of single-stage incubators, and is available for chicken and duck eggs. The eggs are set in honeycomb-shaped setter trays which allow setting 12% more chicken eggs and 14.3% more duck eggs on the same surface as the standard XSTR-4S. The XSTR-4S HD has increased heating, ventilation and tray-turning capacities to cope with the extra load of eggs. It has a sealed cabinet for optimum control over the embryo's environment and features a powerful controller with a large 12 inch touchscreen display.

The powerful software automatically provides accurate programming information for each specific batch of eggs. The central air mixing system with CO₂NTROL™ technology provides a uniform air flow and ventilation in the whole setter. Energy efficiency is embedded in the concept and optimized by the use of Eco-Drive™ technology. The XSTR-4S HD uses the patented Embryo-Response Incubation™ technology providing the highest chick output in an automated way.

Specifications



Capacity		Options	
Chickens:	21,504 eggs loaded on 4 trolleys	▶ Dynamic Weight Loss System™ HD (DWLS™ HD; for chicken only)	
Ducks:	16,128 eggs loaded on 4 trolleys	▶ Calibration probe	
Dimensions		▶ Automatic Disinfection System	
Width	3,369 mm 3,414 mm (including side panel for start of row)	▶ Network control via Eagle Trax™ protocol	
Height	2,303 mm (roof surface) 2,815 mm (highest point)	Interfacing	
Depth	2,119 mm 2,206 mm (including door handle)	Ambient air inlet	avg. 225 m ³ /hour
Ambient room conditions		Ambient air outlet	
24°C (23%RH-64%RH) - 26°C (21%RH-57%RH)		Compressed air inlet	6 - 8 BAR
Control		Cooling water inlet	avg. 85 l/hour, 6°C - 20°C
▶ Front user interface with 12 inch touchscreen display		Cooling water outlet	
▶ Proximity detection functionality (Eye-Blink™)		Humidifier inlet	3 - 4 BAR
Standard functionalities		Electrical supply	3 x 400 V + N + E, Installed power: 4.5 kW
▶ Incubation X-knowledge module™		Alarm	
▶ CO ₂ NTROL™		Network	Eagle Trax™
▶ OvoScan™ HD			
▶ Eye-Blink™			