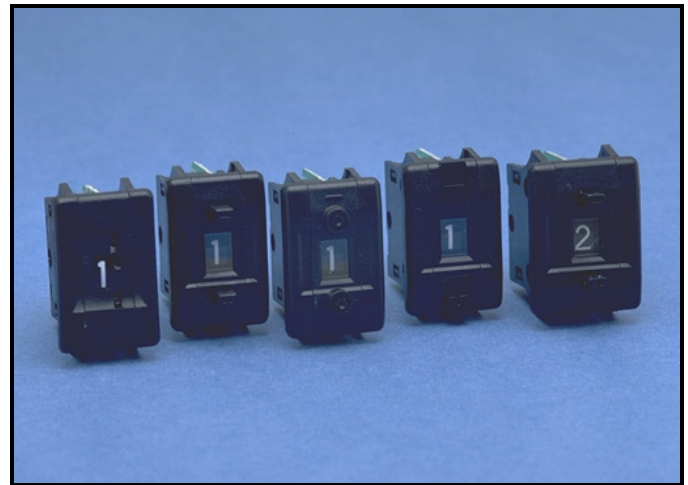




1100 SERIES THUMBWHEEL SWITCHES

EECO's 1100 Series switches offer four different actuator styles in a compact, snap-in design.

The *1100 Series* snaps in from the front of the panel, making installation fast and easy. The *1100 Series* is offered in four different actuator styles, allowing the engineer the greatest design flexibility. Actuator styles include standard thumbwheel, push-set, pen-set and lock-set models. The pen-set and lock-set models eliminate accidental setting changes and are an ideal choice for critical "set and forget" applications. The *1100 Series* is offered in either binary or decimal code versions, and optional features include stop pins, and provision for diode installation. The *1100 Series* is backed by EECO's one-year warranty.



SPECIFICATIONS

MECHANICAL

No. of Switching Positions	10
Life	Minimum 300,000 Detents
Actuation Force	10.5 Oz.
Weight	0.11 Oz.

ELECTRICAL

Maximum Rated Load, Non-Switching	500 mA Per Common Terminal
Maximum Rated Load, Switching	100 mA At 50 VAC or 28 VDC
Contact Resistance (Initial)	200 mΩ Maximum
Insulation Resistance	10 MΩ Minimum
Dielectric Withstanding Voltage	500 VAC For 1 Minute

ENVIRONMENTAL

Operating Temperature	-20°C To +60°C
Storage Temperature	-40°C To +80°C
Vibration	50 m/Sec ² (5-55Hz)
Shock	100 m/Sec ² (10G)
Seal	Dust Resistant

MATERIALS

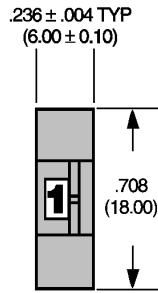
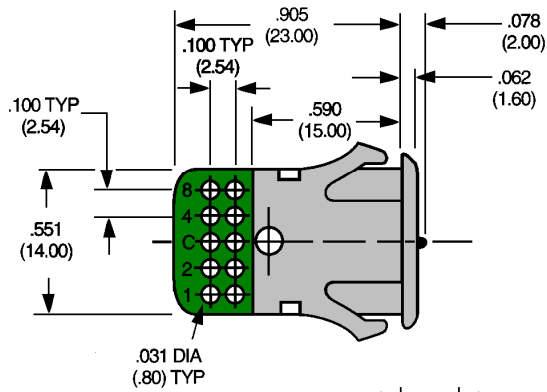
Plastic	Polyacetal Resin
Circuit Board	
Base Material	Glass Epoxy
Plating	Gold Over Nickel Plating
Termination	Plated Through Holes
Contacts	Copper Alloy, Gold Over Nickel Plating

RoHS COMPLIANCE

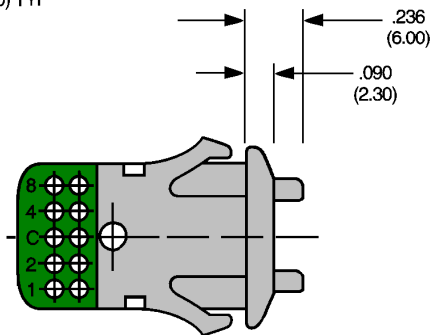
EECO Switch is fully committed to complying with the European Lead-Free and RoHS directives. The 1100 Series is Lead Free and RoHS compliant.

OUTLINE DIMENSIONS

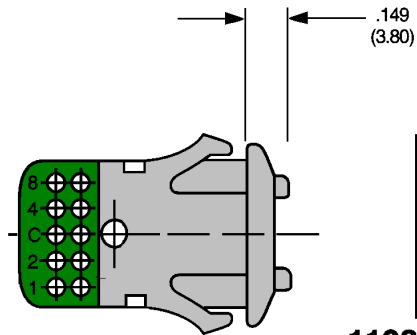
FRONT MOUNT



1100 THUMBWHEEL

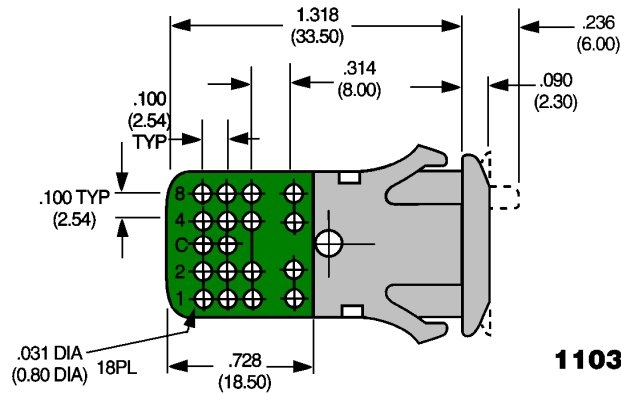
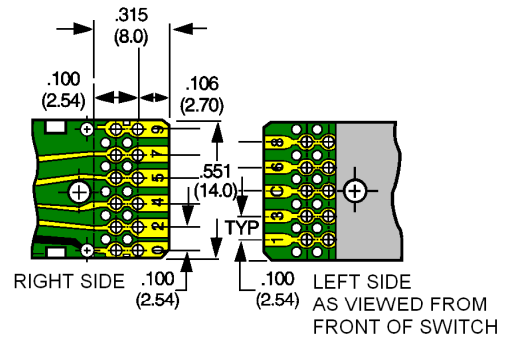


**1101
PUSH-SET**



1102 PEN-SET

DECIMAL CODE MODELS



1103 LOCK-SET

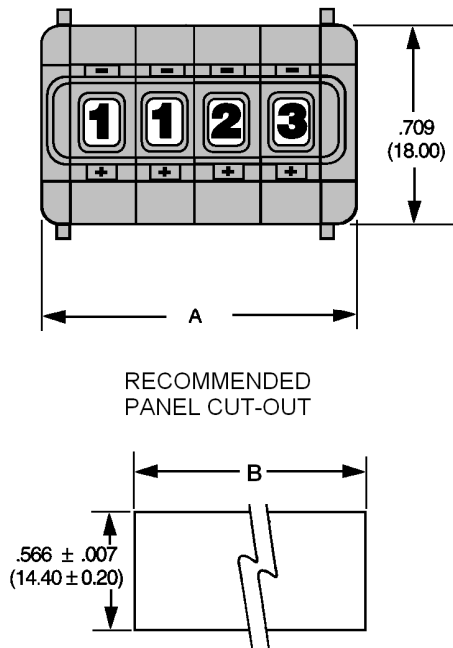
PCB WITH DIODE PROVISION

NOTES

1. Character height is .126 (3.2)
2. () dimensions in mm.
3. Tolerance on all dimensions 0.010 unless otherwise specified
4. Dimensions typical for all versions.

MOUNTING DIMENSIONS

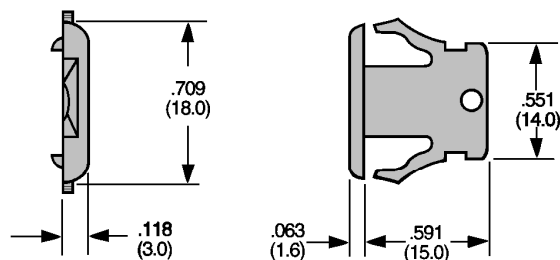
1100 FRONT MOUNT SERIES



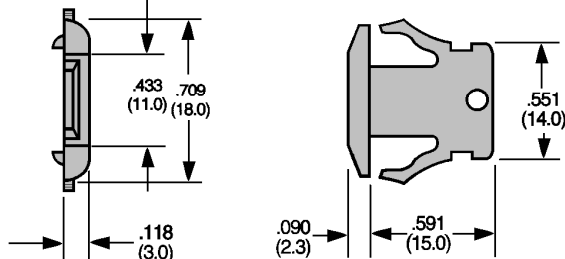
No. Of Switches	A	B
1	0.47 (12.0)	0.32 (8.2)
2	0.71 (18.0)	0.56 (14.2)
3	0.94 (24.0)	0.80 (20.2)
4	1.18 (30.0)	1.03 (26.2)
5	1.42 (36.0)	1.27 (32.2)
6	1.65 (42.0)	1.50 (38.2)
7	1.89 (48.0)	1.74 (44.2)
8	2.13 (54.0)	.98 (50.2)
9	2.36 (60.0)	2.21 (56.2)
10	2.60 (66.0)	2.45 (62.2)

OUTLINE DIMENSIONS - Spacers And Endpieces

ENDPIECES

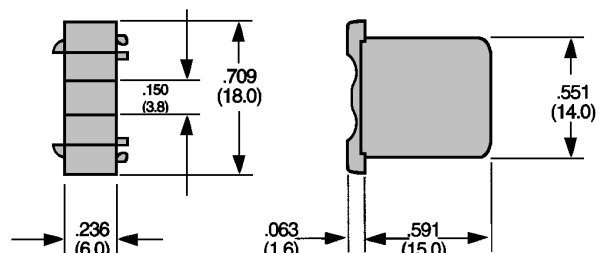


E11SJ (THUMBWHEEL)

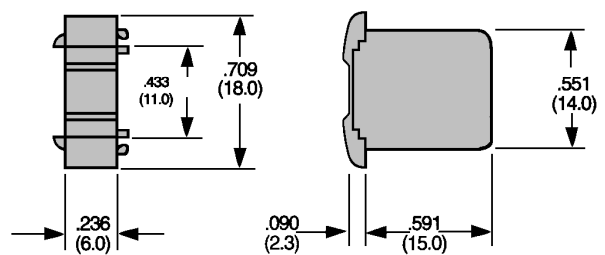


E21SJ (1101, 1102, 1103 PUSHWHEEL)

SPACERS



S11SJ (1100 THUMBWHEEL)



S21SJ (1101, 1102, 1103 PUSHWHEEL)

1100 SERIES STANDARD SWITCHES

THUMBWHEEL	PUSH-SET	PEN-SET	LOCK-SET	CODE DESCRIPTION	NO. OF POSITIONS	TRUTH TABLE
110001J	110101J	110201J	110301J	1 Pole Decimal	10	A02
110002J	110102J	110202J	110302J	1 Pole BCD	10	B02
110052J	110152J	110252J	110352J	1 Pole BCD w/Diode Provision	10	B02

A02

DECIMAL 1 Pole 10 Position

D I A L	Common (C) Connected To ●									
	0	1	2	3	4	5	6	7	8	9
0	●									
1		●								
2			●							
3				●						
4					●					
5						●				
6							●			
7								●		
8									●	
9										●

B02

BCD 1 Pole 10 Position

D I A L	Common (C) Connected To ●			
	1	2	4	8
0				
1	●			
2		●		
3	●	●		
4			●	
5	●		●	
6		●	●	
7	●	●	●	
8				●
9	●			●

AVAILABLE OPTIONS

D Decimal Point
Stop Pins (Factory Installed Only)

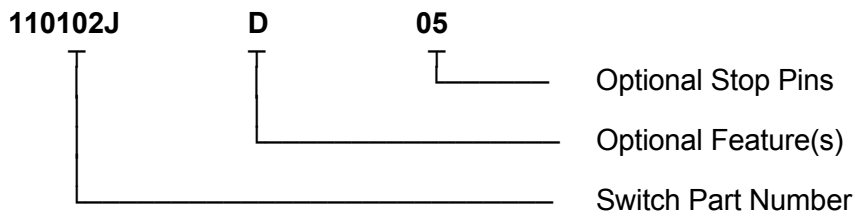
HARDWARE KITS AND ACCESSORIES

E11SJ Endpieces (Thumbwheel, Pairs)
E21SJ Endpieces (Push Button, Pairs)

S11SJ Spacer (Thumbwheel)
S21SJ Spacer (Push Button)

Note: Replace "X" With Number of Stations Required When Ordering Hardware Kits

ORDERING EXAMPLE



NOTE: 1100 Series Switches And Endpieces Sold Unassembled