

IRtech Radiamatic IR60 GT

Fiber Optic Process Infrared Thermometers for Heavy Industry applications

IRtech
Infrared Technology

- Temperature range up to 1800°C
- Fiber optic
Optical resolution up to 100:1
Close focus 0,5mm
- 1 μ m or 1.6 μ m
Spectral response
- Laser target pointer
- Analog output 4-20mA
- Up to 250°C of ambient
temperature without cooling
- Up to 2mS response time
- Signal processing
- RS232 or RS485
- IR Settings Windows software

CE



IRtech Radiamatic IR60 GT is a fiber optic infrared thermometers specially designed for hard environment like glass application, oven, semiconductor or induction heating. The fiber optic is heat resistant up to 250°C without the need of cooling. The output is linear 4-20mA. The laser aiming simplify the alignment of the thermometer on the target identifying the real area of measurement. The laser can be powered and switched on directly by keyboard or remotely by digital interface. The powerful signal processor allow to adapt the measurement to the requirement of the application.

Models

Common specifications

Models	IR60 GTH	IR60 GTL
Temperature range	600 - 1800 °C	300 - 1300 °C
Accuracy 23°C±5°C	±0,5% or ±1°C **	±0,5% or ±1°C **
Repeatability 23°C±5°C	±0,2% or ±1°C **	±0,2% or ±1°C **
D:S target ratio	100:1	up to 0,5mm
Spectral response	1 µm	1,6 µm

Emissivity / Gain / IR windows :
Adjustable 0.10 - 1.00

Working temperature:

Sensing head : -20 to +250°C
0 to +70°C / 10-95% RH non
condensing

Storage -20 to +85°C

Response time :

2 mS to 10sec

Analog output :

0/4-20mA

Digital output :

RS232 isolated or RS485

Power supply:

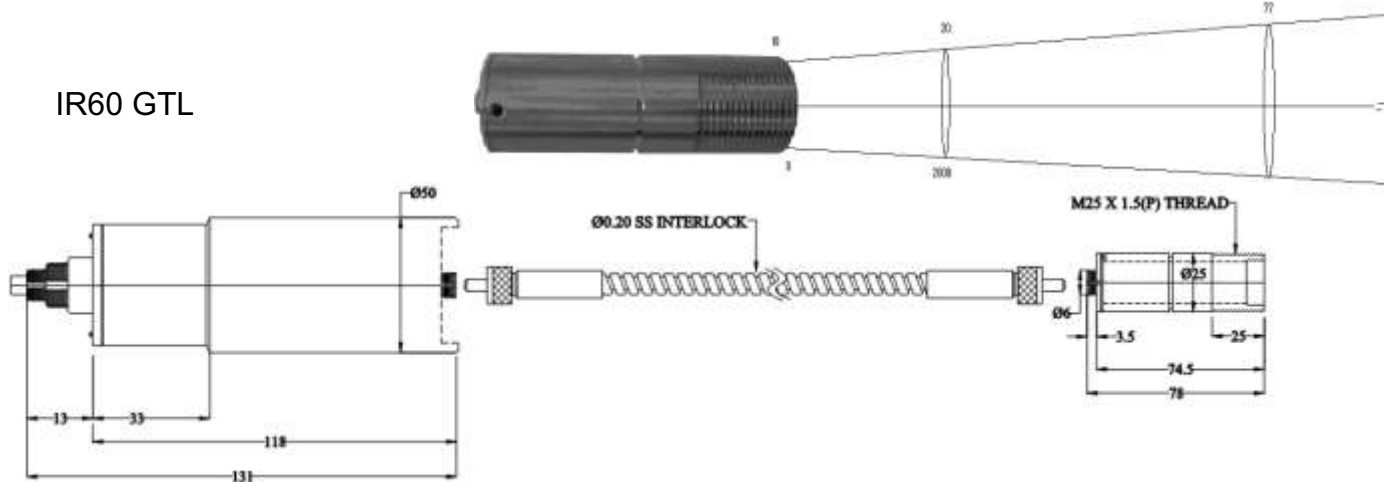
24 V DC +-10%

Functions:

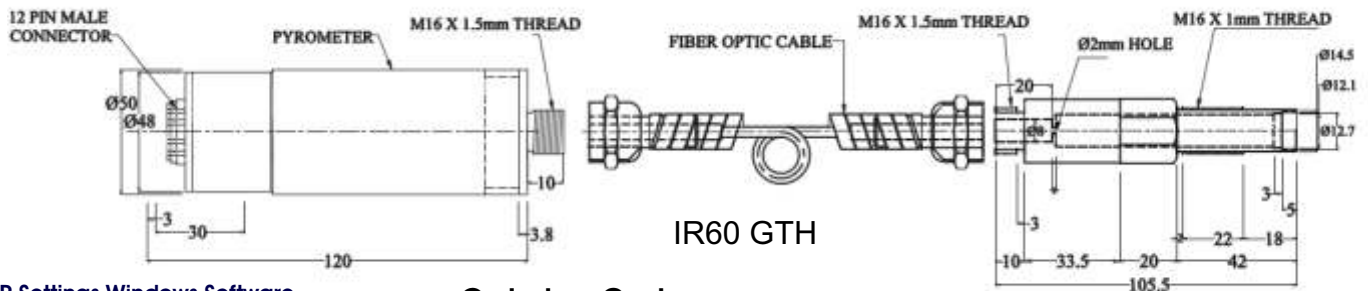
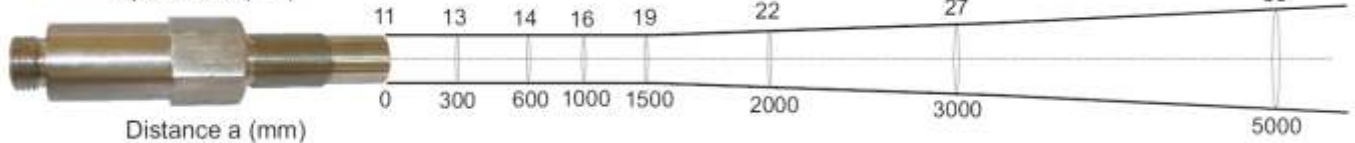
Peak picker, average, emissivity,hold.

** E=1, response time 1s

IR60 GTL



Spot Size M (mm)



IR60 GTH

IR Settings Windows Software

Software allows sensor setup and remote control. The real time graphic display and datalogging show the temperature trends with fast sampling.



Ordering Code

Code	Model
IR	IRtech includes head, fiber optic, electronics & instruction manual.
Table A Range	
60 GT L	300-1300°C
60 GT H	600-1800°C
Table B Optics	
SF	Standard optic without laser
SFL	Standard optic with laser
CFx	CF1 2@75mm, CF2 4@150mm, CF3 8@300mm (GTL only) + L for Laser
Table C Fiber Optic	
C3	3mt fiber optic
C5	5mt fiber optic
C10	10mt fiber optic
Table D Report of Calibration	
0	none
CC	EA traceable with data
IR 60 GT H - SF - C5 - 0	Typical ordering code