

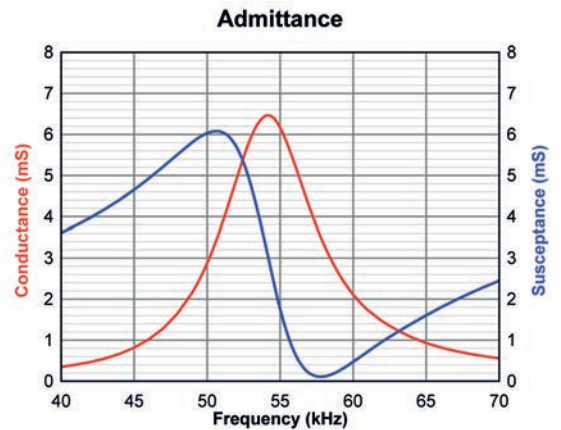
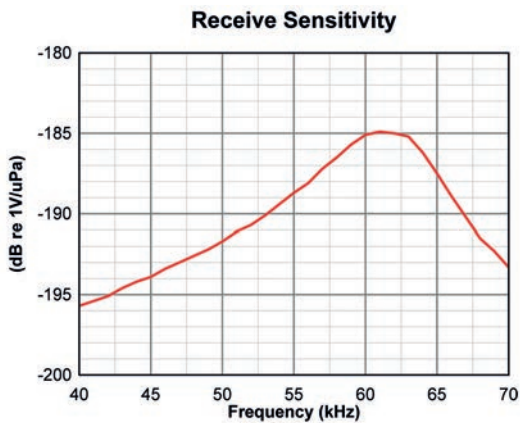
MODEL T204



- **HEMISPHERICAL BEAM PATTERN**
- **BROADBAND TRANSMISSION**
- **DEEP WATER CAPABILITY**
- **TRANSPONDER**
- **RANGE TRACKING**
- **COMMUNICATIONS**

The T204 is designed for use in transponder beacons, tracking systems, acoustic release mechanisms and data communication systems. The anodised aluminium base incorporates a threaded fastening and 'O' ring seal allowing simple and direct mounting onto equipment or pressure housings. Washer and nut provided.

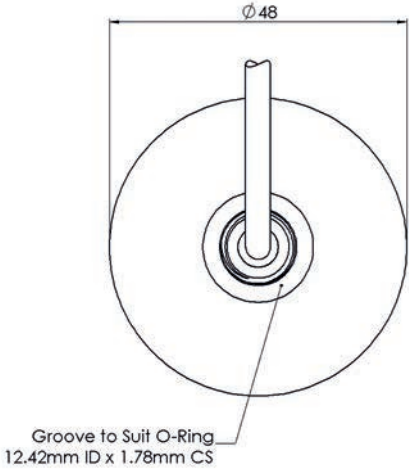
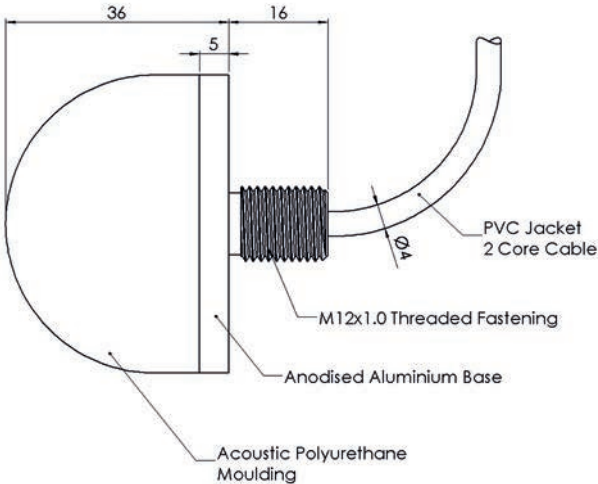
The T204 is available with or without acoustic calibration, traceable to National Standards.



TECHNICAL SPECIFICATION

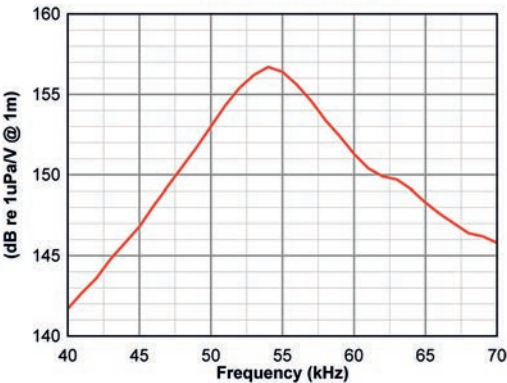
Resonant Frequency (Nominal)	55 kHz
Useful Operating Band	47 kHz to 62 kHz
Beam Pattern	Conical (See Graph)
Receive Sensitivity	-185 dB re 1V/μPa
Transmit Sensitivity	156 dB re 1μPa/V @ 1m
Capacitance at 1 kHz (with 1m cable)	12,000 pF
Transmit Voltage (Max)	250 Vrms
Transmit Voltage / Duty Cycle (Abs. Max)	250 Vrms at 10% 80 Vrms at 100%

MODEL T204

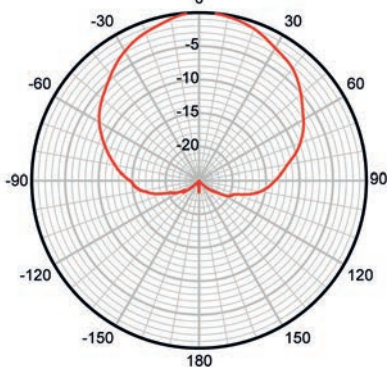


All dimensions in mm

Transmit Sensitivity



Vertical Beam Pattern @ 55kHz



MECHANICAL SPECIFICATION

Operating Depth	1500m
Weight Air/Water (with 1m cable)	0.17 kg / 0.1 kg
Operating Temperature	-5 to +40 °C
Storage Temperature	-40 to +80 °C
Cable Type	Ø4mm Polyvinyl Chloride Jacket, Screened Twisted Pair
Cable Length	1m standard (Additional lengths supplied to order)