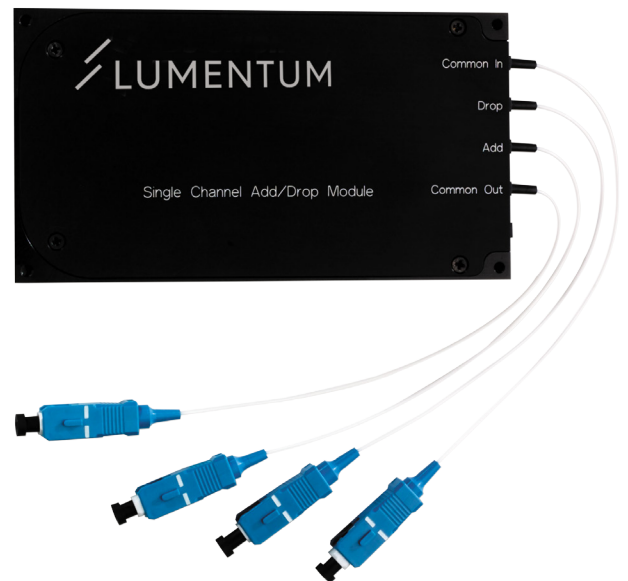


# Filter Add/Drop Module 200 GHz Spacing



Lumentum single channel add/drop modules are available for ITU channel spacings of 200, 100, and 50 GHz, as well as for bands of ITU channels.

Manufactured using laser welding technology, the integrated add/drop module components exceed Telcordia GR-1221 requirements. The modules, themselves, demonstrate low loss, temperature insensitivity, and reliable performance in any system application.

Fixed add/drop modules offer low-cost wavelength management solutions that are suitable for metro and access applications. Easily customizable, these devices are configured by number of channels for any customer-specific channel plan.

Packaging options include fiber type, connectors, footprint, and integration of taps and detectors for a complete dense wavelength division multiplexing (DWDM) solution.

Established volume capability and proven experience in customizing fiberoptic components and modules make Lumentum the supplier of choice.

#### **Key Features**

- Low insertion loss
- Exceptional reliability and environmental stability
- Low polarization dependent loss (PDL)
- Flat and wide passband
- High demux channel isolation
- Customizable with tap and multi-channel or band capabilities

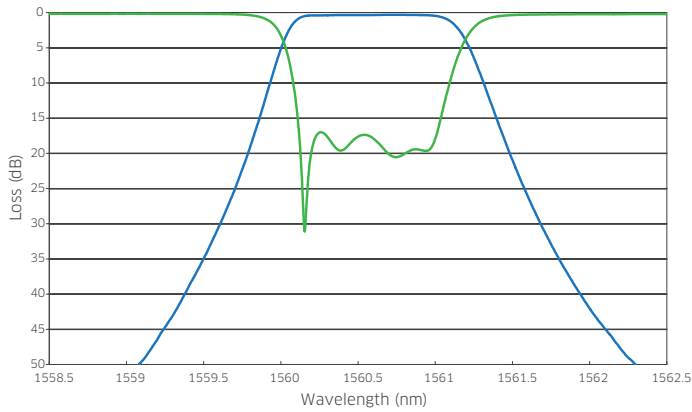
#### **Applications**

- Access/enterprise networks
- Metro networks
- Long haul networks
- Denser channel plans (50 GHz when used in conjunction with an Optical Frequency Interleaver)
- Test bench/systems

#### **Compliance**

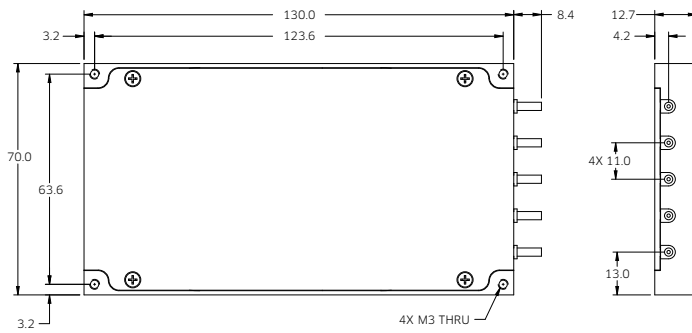
- Telcordia GR-1221

200 GHz Coupler Spectral Plot



Dimensions Diagram

(Specifications in mm unless otherwise noted.)



Specifications

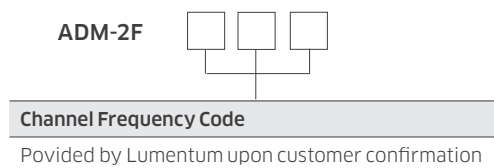
Parameter		Specification
Wavelength range		C or L band ITU channels 186.6 to 196.1 THz
Passband	Minimum	±33 GHz (≈ ±0.26 nm)
Passband ripple	Maximum	0.35 dB
Drop insertion loss <sup>1</sup>	Maximum	1.0 dB
Express insertion loss <sup>1</sup>	Maximum	0.9 dB
Add insertion loss <sup>1</sup>	Maximum	1.0 dB
Drop isolation (adjacent channel)	Minimum	30 dB
Drop Isolation (non-adjacent channel)	Minimum	50 dB
Express isolation	Minimum	30 dB
Directivity	Minimum	50 dB
Return loss	Minimum	45 dB
Polarization dependent loss	Maximum	0.2 dB
Polarization mode dispersion	Maximum	0.15 ps
Optical power handling	Maximum	1 W
Operating temperature range		0 to 70°C
Storage temperature range		-40 to 85°C
Fiber type		9/125/900 μm fiber
Fiber length		1.0±0.1 m
Package size (L x W x H)		130.0 x 70.0 x 12.7 mm

1. Losses include one connector. If no connector option is selected, the maximum loss should be 0.2 dB lower.

## Ordering Information

For more information on this or other products and their availability, please contact your local Lumentum account manager or Lumentum directly at [customer.service@lumentum.com](mailto:customer.service@lumentum.com).

### Sample: ADM-2F2721014



101

Code	Connector Type <sup>1</sup>
0	None
2	FC/SPC
3	FC/APC
4	SC/SPC
5	SC/APC
6	LC/UPC
7	LC/APC

1. Other connectors available upon request.

Telcordia is a registered trademark of Telcordia Technologies Incorporated.



North America  
Toll Free: 844 810 LITE (5483)

Outside North America  
Toll Free: 800 000 LITE (5483)

China  
Toll Free: 400 120 LITE (5483)

© 2015 Lumentum Operations LLC  
Product specifications and descriptions in this document are subject to change without notice.