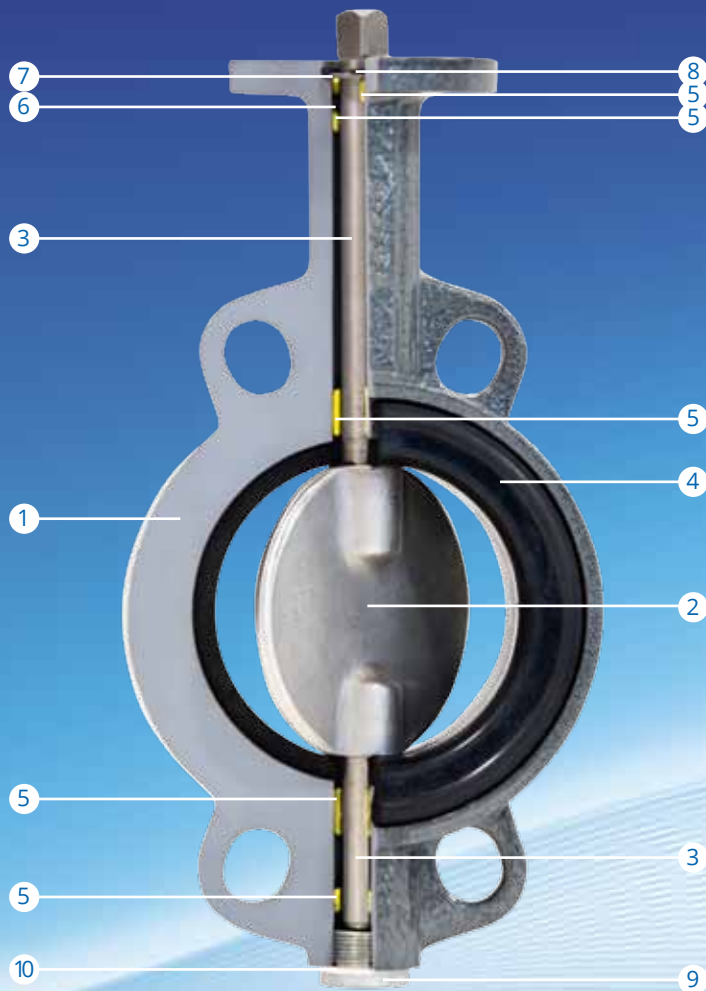


BUTTERFLY VALVES

ETW710 - ETL711



euro  torc



Technical Data

Flange Accommodation:
 EN 1092-1 PN10/16
 ANSI B16.5 Class 150
 BS10 'Table E'
 Other standards on request

Face to face dimension:
 EN 558 Series 20
 ISO 5752 Series 20
 BS 5155
 API 609 Table 1

Top Mounting Flange:
 ISO 5211

Compliant with Pressure:
 Equipment Directive (97/23/EC)

Pressure Testing :
 BS6755 & API 598 (zero leakage)

Pressure rating:
 DN50-DN300: 16 Bar
 DN350-DN600 : 10 Bar

Valve Features

Size Range: DN40 - DN600

Bi-directional factory pressure testing at full rating provides 100% bubble tight isolation.

Wafer thin disc with polished edge, provides minimal contact area and improved flow rates.

ISO 5211 mounting flange and square drive stem provides direct mounting of actuation.

Body finish: Modified RAL 5015 'Flat Heat Applied Enamel'.

Body finish thickness - 100micron.

Upper Stem supported with 3 x Nylon PA66 Bearings.

Lower Stem supported with 2 x Nylon PA66 Bearings.

Bearings manufactured from corrosion resistant materials ensuring continued ease of operation.

Seat can be replaced without special tools.

Full range of Eurotorc manual and automatic operators are available.

Parts List / Material Selection

1 BODY

Cast Iron GG25
 Ductile Iron GGG40
 Carbon Steel ASTM A216 WCB
 Stainless Steel ASTM A351 CF8M

2 DISC

Ductile Iron GGG40 Rilsan Coated
 Ductile Iron GGG40 Nickel Plated
 Ductile Iron GGG40 Epoxy Coated
 Aluminium Bronze ASTM B148
 Stainless Steel ASTM A351 CF8
 Stainless Steel ASTM A351 CF8M
 Stainless Steel ASTM A351 CF8M (Polished)

3 STEM (UPPER & LOWER)

Stainless Steel ASTM A582 Type 416

4 SEAT

EPDM
 NBR
 FKM
 Silicon
 EPDM (WRAS Approved)
 Neoprene

5 BEARING

Nylon PA66

6 STEM SEAL

NBR

7 ANTI-EXTRUSION RING/ FOLLOWER

Carbon Steel

8 CIRCLIP

Spring Steel

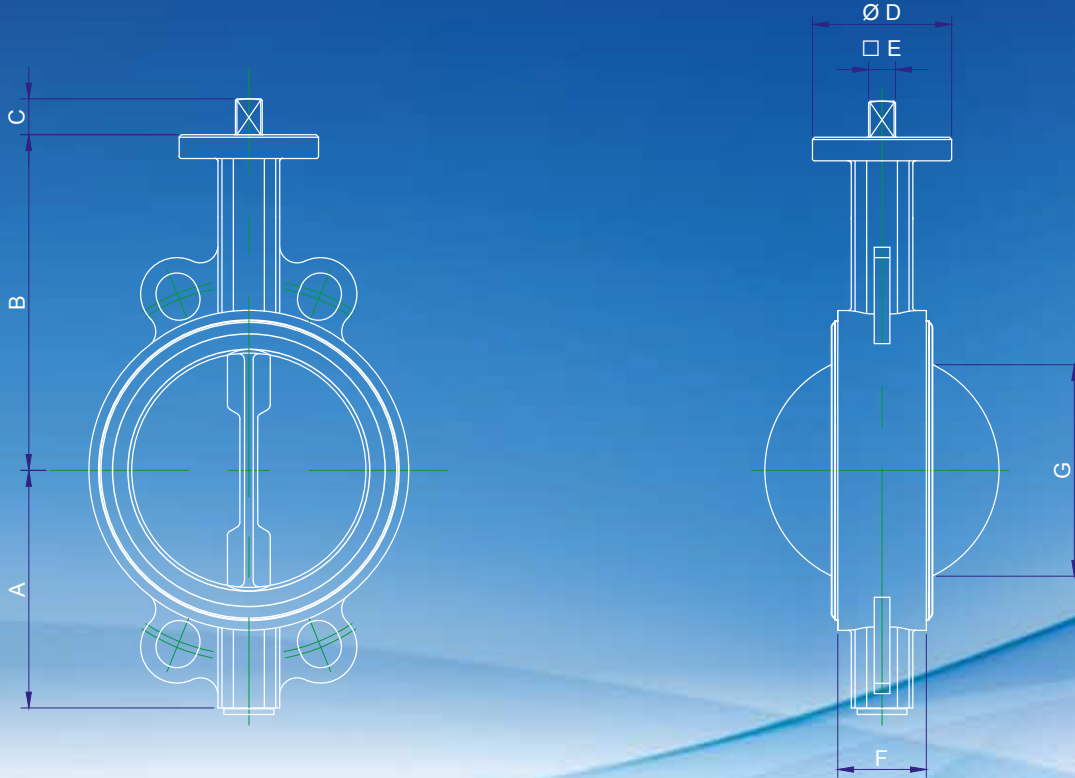
9 LOWER STEM PLUG / COVER

DN50-DN300: Zinc Plated A105 Forged Steel
 DN350-DN600: RAL5015 Painted Mild Steel

10 LOWER STEM SEAL

PTFE

Wafer Pattern Butterfly Valve ETW710



Wafer Pattern Butterfly Valve ETW710

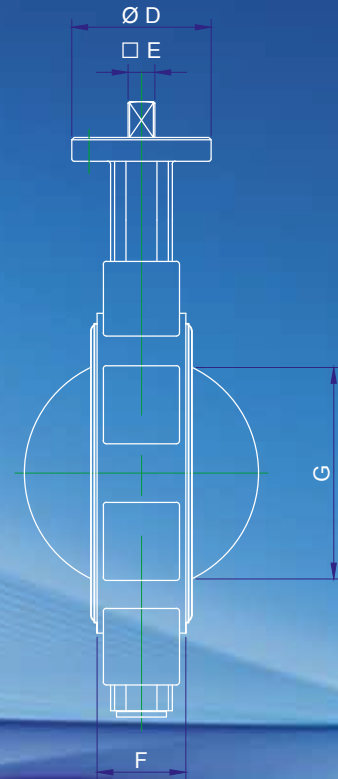
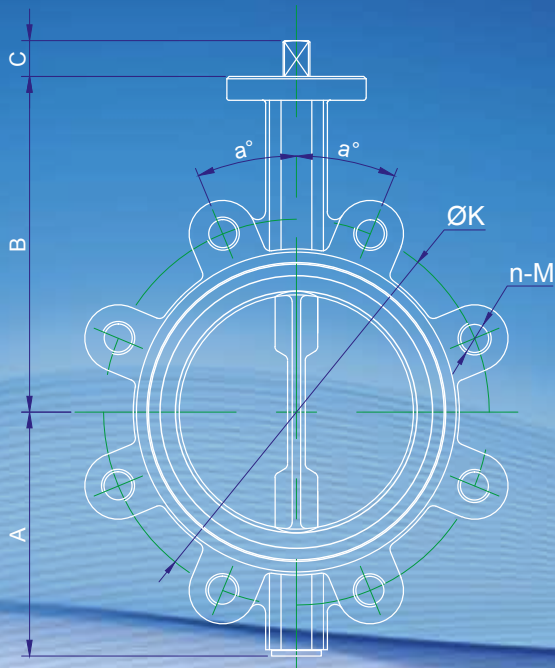
Valve Size		A	B	C	ØD	E	ISO Mounting Flange	F	G	Weight (Kg) Barestem
DN (mm)	Size (in)									
40	1½	70	140	12	65	11	F05	33	22	1.6
50	2	78	161	12	65	11	F05	43	28	1.9
65	2½	92	160	12	65	11	F05	46	45	3.3
80	3	102	165	16	90	14	F07	46	61	3.8
100	4	120	185	16	90	14	F07	52	85	4.9
125	5	132	210	16	90	14	F07	56	115	7.3
150	6	158	210	19	90	17	F07	56	135	8.4
200	8	180	250	19	125	17	F07/F10	60	190	14.2
250	10	215	295	24	125	22	F10	68	240	23.6
300	12	251	320	24	125	22	F10	78	289	31.2
350	14	263	346	29	150	27	F12	78	330	39.8
400	16	300	375	29	175	27	F12	102	376	58.8
450	18	333	400	38	175	36	F16	114	426	68.0
500	20	366	432	38	175	36	F16	127	475	136.2
600	24	447	562	52	210	46	F16	154	579	211.3



www.eurotorc.com



Lugged Pattern Butterfly Valve ETL711



Lugged Pattern Butterfly Valve ETL711

Valve Size		A	B	C	ØD	E	ISO Mounting Flange	F	G	ØK (PN16)	n-M (PN16)	a°	Weight (Kg) Barestem
DN (mm)	inch												
40	1½	70	140	12	65	11	F05	33	22	110	4-M16	45	2.3
50	2	78	161	12	65	11	F05	43	28	125	4-M16	45	3.1
65	2½	92	160	12	65	11	F05	46	45	145	4-M16	45	3.9
80	3	102	165	16	90	14	F07	46	61	160	8-M16	22.5	5.4
100	4	120	185	16	90	14	F07	52	85	180	8-M16	22.5	6.5
125	5	132	210	16	90	14	F07	56	115	210	8-M16	22.5	9.8
150	6	158	210	19	90	17	F07	56	135	240	8-M20	22.5	10.9
200	8	180	250	19	125	17	F07/F10	60	190	295	12-M20	15	22.3
250	10	215	295	24	125	22	F10	68	240	355	12-M24	15	32.1
300	12	251	320	24	125	22	F10	78	289	410	12-M24	15	41.1
350	14	263	346	29	150	27	F12	78	330	470	16-M24	11.25	65.48
400	16	300	375	29	175	27	F12	102	376	525	16-M27	11.25	106.3
450	18	333	400	38	175	36	F16	114	426	585	20-M27	9	135.1
500	20	366	432	38	175	36	F16	127	475	650	20-M30	9	208.5
600	24	447	562	52	210	46	F16	154	579	770	20-M33	9	288.9



www.eurotorc.com



Torque Figures

The torque figures provided represent the required torque to open and re-seat the valve.

The figures provided are based upon water and other lubricating fluids, and include a factor of safety.

For gases, non-lubricating media and dry powders increase the torque figures by 1.3

Eurotorc offer a valve with either a 3 Bar or 6 Bar reduced diameter disc. This reduces the friction and torque, decreasing actuation sizes and extending Seat life.

Torque Figures (Nm)						
Valve Size		Reduced Disc Diameter Options		Full Pressure Rated Valves		Mast Torque
mm	inch	3 Bar	6 Bar	10 Bar	16 Bar	(416 SS Stem)
40	1½	6	7	-	9	36
50	2	7	10	-	13	101
65	2½	9	12	-	18	101
80	3	10	13	-	27	323
100	4	12	22	-	40	323
125	5	18	27	-	63	323
150	6	40	49	-	129	630
200	8	68	87	-	201	630
250	10	156	190	-	245	1586
300	12	221	251	-	362	1586
350	14	359	532	685	-	2654
400	16	441	641	784	-	2654
450	18	812	843	1001	-	6261
500	20	883	1090	2335	-	6261
600	24	1105	2170	3110	-	13356

Kv Values

The Kv value is the volume of water (measured in m³/hr) that will pass through the valve opening at a pressure drop of 1 Bar.

For control valve selection and to achieve optimum control, use the values stated between 30° and 60° open.

Kv Values (Kv)									
Valve Size		Disc Position (Angle of Opening)							
mm	inch	20°	30°	40°	50°	60°	70°	80°	90°
40	1½	1.3	1.8	5.5	8	16	27	48	53
50	2	2.2	7	12	24	40	67	120	133
65	2½	4.5	11	25	42	73	120	216	240
80	3	6	19	41	74	124	210	396	410
100	4	10	28	65	120	198	330	590	665
125	5	14	41	130	165	270	450	810	900
150	6	28	80	180	325	540	900	1620	1800
200	8	55	160	350	640	1065	1780	3195	3550
250	10	110	330	755	1325	2205	3670	6615	7350
300	12	135	410	800	1650	2730	4550	8190	9100
350	14	140	455	1010	1760	2420	4880	8550	9860
400	16	155	475	1050	1880	3150	5250	9450	10500
450	18	200	600	1330	2395	3990	6650	11970	13300
500	20	260	785	1750	3130	5200	8700	15660	17400
600	24	375	1125	2500	4500	7500	12550	22500	25000



Eurotorc ETW710/ETL711 Series Model Number Configurator

ETW710-T
ETL711-T X X X X

Body			Disc			Seat		Press. Rating	
Cast Iron	1	GG25 Cast Iron (Enamel Coated)	Ductile Iron	1	GGG40 Ductile Iron (Black Rilsan Coated)	EPDM	1	16 Bar	A
Ductile Iron	2	GGG40 Ductile Iron (Enamel Coated)	Ductile Iron	2	GGG40 Ductile Iron (Nickel Plated)	NBR	2	10 Bar	B
Carbon Steel	3	ASTM A216 WCB Carbon Steel (Enamel Coated)	Ductile Iron	3	GGG40 Ductile Iron (Epoxy Coated)	FKM	3	3 Bar	C
Stainless Steel	4	ASTM A351 CF8M Stainless Steel	Alu-Bronze	4	ASTM B148 Aluminium Bronze	SILICON	4	6 Bar	D
			Stainless Steel	5	ASTM A351 CF8 Stainless Steel	EPDM (WRAS)	5		
			Stainless Steel	6	ASTM A351 CF8M Stainless Steel	NEOPRENE	6		
			Stainless Steel	7	ASTM A351 CF8M Stainless Steel (Polished)				

Temperature Range of Elastomer Seats & Disc Coatings

Temperature Range of Elastomer Seats & Disc Coatings

Material	Minimum Temperature °C	Maximum Temperature °C
EPDM SEAT	-18 °C	120 °C
NBR SEAT	-10 °C	80 °C
FKM SEAT	0 °C	160 °C
SILICON SEAT	-20 °C	140 °C
EPDM (WRAS) SEAT	-15 °C	120 °C
NEOPRENE	-15 °C	90 °C
RILSAN DISC COATING	-15 °C	80 °C



www.eurotorc.com

Distributor