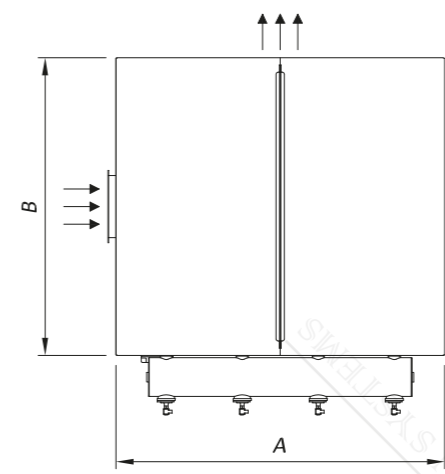
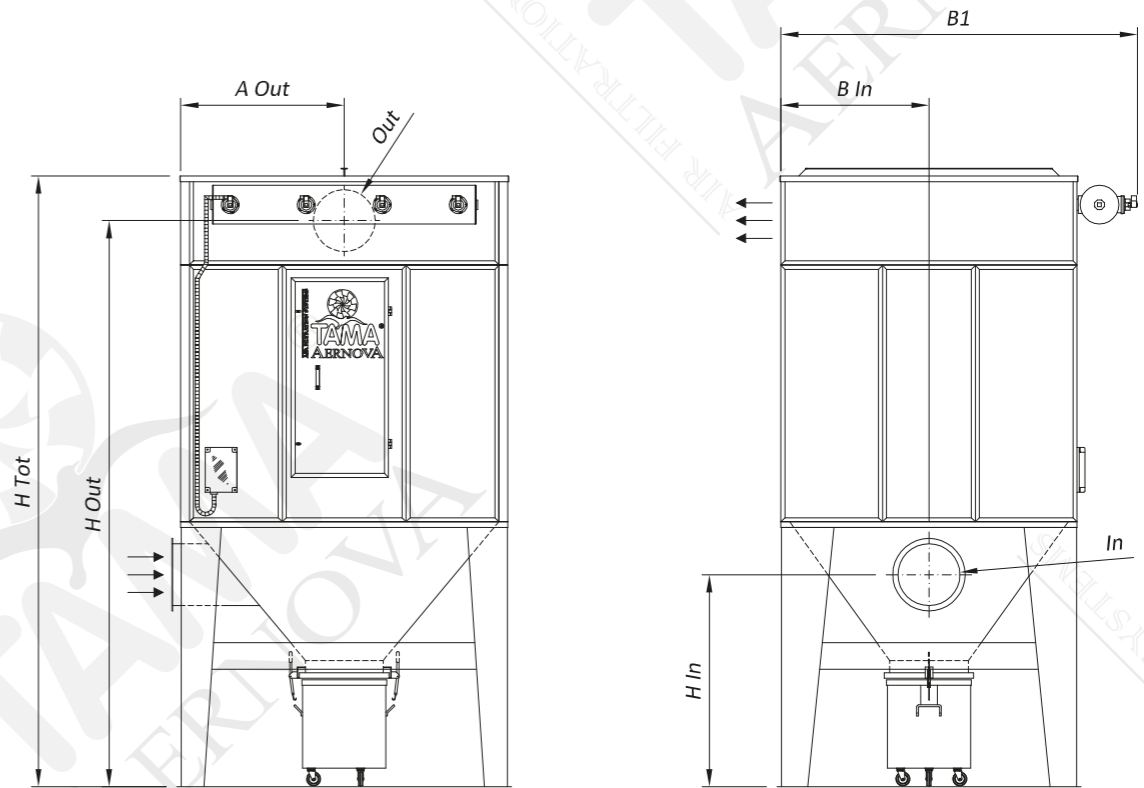


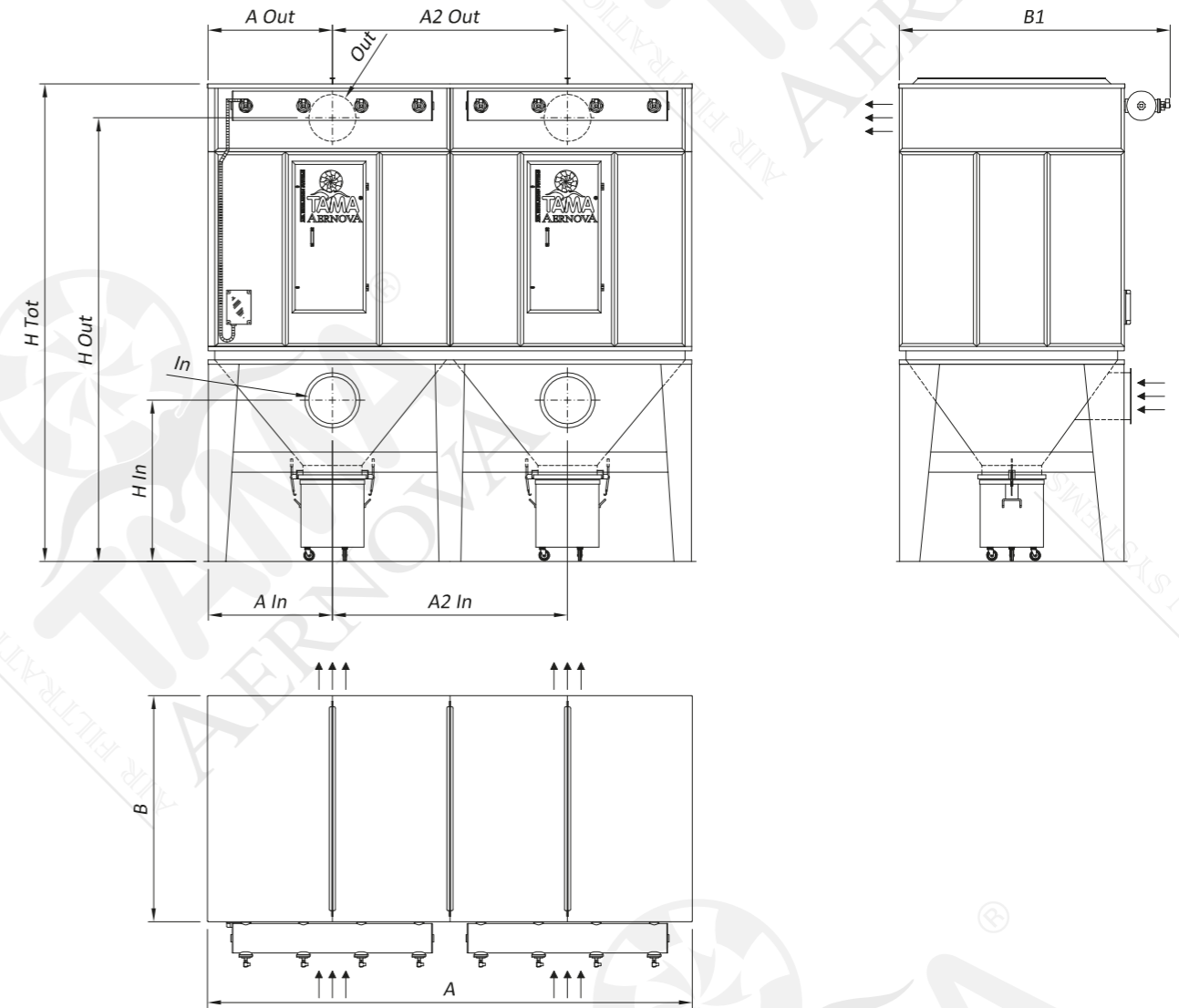
TECHNICAL SPECIFICATIONS					DIMENSIONS										
Model	Filtering surface	Number of filtering elements	Number of cleaning valves	Compressed air consumption	A	B	B1	H Tot	In	B In	H In	Out	A Out	H Out	Weight
	[m ²]				[N/activ]	[mm]	[mm]	[mm]	[mm]	[mm]	[mm]	[mm]	[mm]	[mm]	
NSB145-02x0207	10	4	2	87	700	700	1020	2261	Ø120	350	790	Ø150	350	2008	290
NSB145-02x0210	15	4	2	87	700	700	1020	2561	Ø150	350	775	Ø180	350	2308	315
NSB145-02x0212	18	4	2	87	700	700	1020	2761	Ø150	350	775	Ø200	350	2508	340
NSB145-02x0407	21	8	2	87	700	1180	1500	2261	Ø180	590	760	Ø220	350	2008	425
NSB145-02x0410	30	8	2	87	700	1180	1500	2561	Ø200	590	750	Ø280	350	2308	450
NSB145-02x0412	37	8	2	87	700	1180	1500	2761	Ø220	590	740	Ø300	350	2508	475
NSB145-03x0307	24	9	3	87	940	940	1260	2461	Ø180	470	960	Ø220	470	2208	425
NSB145-03x0310	34	9	3	87	940	940	1260	2761	Ø220	470	940	Ø280	470	2508	450
NSB145-03x0312	41	9	3	87	940	940	1260	2961	Ø250	470	925	Ø315	470	2708	475
NSB145-03x0407	31	12	3	87	940	1180	1500	2461	Ø200	590	950	Ø280	470	2208	505
NSB145-03x0410	45	12	3	87	940	1180	1500	2761	Ø250	590	925	Ø315	470	2508	530
NSB145-03x0412	55	12	3	87	940	1180	1500	2961	Ø280	590	910	Ø350	470	2708	580
NSB145-04x0407	42	16	4	87	1180	1180	1500	2461	Ø250	590	925	Ø315	590	2208	565
NSB145-04x0410	61	16	4	87	1180	1180	1500	2761	Ø300	590	900	350 x 350	590	2508	615
NSB145-04x0412	73	16	4	87	1180	1180	1500	2961	Ø315	590	892	400 x 350	590	2708	640
NSB145-04x0507	52	20	4	217	1180	1420	1780	2761	Ø280	710	1210	Ø350	590	2508	745
NSB145-04x0510	76	20	4	217	1180	1420	1780	3061	Ø315	710	1192	400 x 350	590	2808	795
NSB145-04x0512	91	20	4	217	1180	1420	1780	3261	Ø350	710	1175	500 x 350	590	3008	845
NSB145-05x0507	66	25	5	217	1420	1420	1780	2761	Ø300	710	1200	350 x 350	710	2508	805
NSB145-05x0510	95	25	5	217	1420	1420	1780	3061	Ø350	710	1175	500 x 350	710	2808	855
NSB145-05x0512	114	25	5	217	1420	1420	1780	3261	Ø400	710	1150	600 x 350	710	3008	905
NSB145-05x0607	79	30	5	217	1420	1660	2020	2761	Ø315	830	1192	450 x 350	710	2508	890
NSB145-05x0610	114	30	5	217	1420	1660	2020	3061	Ø400	830	1150	600 x 350	710	2808	965
NSB145-05x0612	137	30	5	217	1420	1660	2020	3261	Ø450	830	1125	750 x 350	710	3008	1015
NSB145-08x0407	84	32	8	217	2140	1180	1540	2861	Ø350	590	1275	450 x 350	1070	2608	870
NSB145-08x0410	121	32	8	217	2140	1180	1540	3161	Ø420	590	1240	650 x 350	1070	2908	945
NSB145-08x0412	146	32	8	217	2140	1180	1540	3361	Ø450	590	1225	800 x 350	1070	3108	1020
NSB145-08x0507	105	40	8	217	2140	1420	1780	2861	Ø380	710	1260	550 x 350	1070	2608	1055
NSB145-08x0510	152	40	8	217	2140	1420	1780	3161	Ø450	710	1225	800 x 350	1070	2908	1130
NSB145-08x0512	183	40	8	217	2140	1420	1780	3361	Ø500	710	1200	1000 x 350	1070	3108	1205
NSB145-08x0607	126	48	8	217	2140	1660	2020	2861	Ø420	830	1240	700 x 350	1070	2608	1145
NSB145-08x0610	182	48	8	217	2140	1660	2020	3161	Ø500	830	1200	1000 x 350	1070	2908	1245
NSB145-08x0612	219	48	8	217	2140	1660	2020	3361	Ø550	830	1175	1150 x 350	1070	3108	1320
NSB325-02x0207	33-43***	4	2	217	960	960	1320	2461	Ø250	480	925	Ø315	480	2208	605
NSB325-02x0210	48-63***	4	2	217	960	960	1320	2761	Ø300	480	900	350 x 350	480	2508	630
NSB325-02x0212	58-76***	4	2	217	960	960	1320	2961	Ø315	480	892	400 x 350	480	2708	655
NSB325-03x0207	50-65***	6	3	217	1390	960	1320	2761	Ø300	480	1200	350 x 350	695	2508	715
NSB325-03x0210	72-94***	6	3	217	1390	960	1320	3061	Ø350	480	1175	500 x 350	695	2808	740
NSB325-03x0212	87-113***	6	3	217	1390	960	1320	3261	Ø400	480	1150	600 x 350	695	3008	790
NSB325-04x0207	67-87***	8	4	217	1820	960	1320	2761	Ø350	480	1175	500 x 350	910	2508	800
NSB325-04x0210	97-125***	8	4	217	1820	960	1320	3061	Ø420	480	1140	700 x 350	910	2808	850
NSB325-04x0212	117-151***	8	4	217	1820	960	1320	3261	Ø450	480	1125	800 x 350	910	3008	925
NSB325-03x0307	75-98***	9	3	217	1390	1390	1750	2761	Ø380	695	1160	550 x 350	695	2508	905
NSB325-03x0310	109-141***	9	3	217	1390	1390	1750	3061	Ø450	695	1125	750 x 350	695	2808	955
NSB325-03x0312	131-170***	9	3	217	1390	1390	1750	3261	Ø480	695	1110	900 x 350	695	3008	1005
NSB325-04x0307	100-130***	12	4	217	1820	1390	1750	2761	Ø420	695	1140	700 x 350	910	2508	1020
NSB325-04x0310	145-188***	12	4	217	1820	1390	1750	3061	Ø520	695	1090	1000 x 350	910	2808	1070
NSB325-04x0312	175-227***	12	4	217	1820	1390	1750	3261	Ø550	695	1075	1200 x 350	910	3008	1145
NSB325-05x0307	125-163***	15	5	217	2250	1390	1750	2961	Ø480	695	1310	900 x 350	1125	2708	1130
NSB325-05x0310	181-235***	15	5	217	2250	1390	1750	3261	Ø580	695	1260	1250 x 350	1125	3008	1205
NSB325-05x0312	219-283***	15	5	217	2250	1390	1750	3461	Ø630	695	1235	1500 x 350	1125	3208	1280
NSB325-04x0407	134-173***	16	4	347	1820	1820	2220	2761	Ø500	910	1100	950 x 350	910	2508	1335
NSB325-04x0410	193-251***	16	4	347	1820	1820	2220	3061	Ø600	910	1050	1350 x 350	910	2808	1410
NSB325-04x0412	233-302***	16	4	347	1820	1820	2220	3261	Ø650	910	1025	1600 x 350	910	3008	1510
NSB325-05x0407	167-217***	20	5	347	2250	1820	2220	2961	Ø550	910	1275	1150 x 350	1125	2708	1505
NSB325-05x0410	242-313***	20	5	347	2250	1820	2220	3261	Ø650	910	1225	****	1125	3008	1605
NSB325-05x0412	291-378***	20	5	347	2250	1820	2220	3461	Ø710	910	1195	****	1125	3208	1705

*** Filtering surface for cartridges with 175 pleats | **** Please contact TAMA AERNOVA



TECHNICAL SPECIFICATIONS		
Max working negative pressure	Pa	5000
Working Temperature	°C	-10<T<60
Electric control panel feeding	230 V AC 50Hz	
Cartridge cleaning system	pulse-jet	
Compressed air tank working pressure	bar	5

TECHNICAL SPECIFICATIONS						DIMENSIONS												
Model	Filtering surface	Number of filtering elements	Number of hoppers	Number of cleaning valves	Compressed air consumption	A	B	B1	H Tot	In	A In	A2 In	H In	Out	A Out	A2 Out	H Out	Weight
	[m2]	[-]	[-]	[-]	[Nl/activ]	[mm]	[mm]	[mm]	[mm]	[mm]	[mm]	[mm]	[mm]	[mm]	[mm]	[mm]	[mm]	[kg]
NSB145-12x0507	157	60	2	12	217	3220	1420	1780	2761	2 x (Ø315)	817	1585	1292	2 x (450 x 350)	830	1560	2505	1520
NSB145-12x0510	227	60	2	12	217	3220	1420	1780	3061	2 x (Ø400)	817	1585	1250	2 x (600 x 350)	830	1560	2805	1645
NSB145-12x0512	274	60	2	12	217	3220	1420	1780	3261	2 x (Ø450)	817	1585	1225	2 x (750 x 350)	830	1560	3005	1745
NSB145-16x0407	168	64	2	16	87	4180	1180	1500	2961	2 x (Ø350)	1057	2065	1475	2 x (450 x 350)	1070	2040	2705	1555
NSB145-16x0410	243	64	2	16	87	4180	1180	1500	3261	2 x (Ø420)	1057	2065	1440	2 x (650 x 350)	1070	2040	3005	1705
NSB145-16x0412	292	64	2	16	87	4180	1180	1500	3461	2 x (Ø450)	1057	2065	1425	2 x (800 x 350)	1070	2040	3205	1805
NSB145-14x0507	183	70	2	14	217	3700	1420	1780	2861	2 x (Ø350)	937	1825	1375	2 x (500 x 350)	950	1800	2605	1685
NSB145-14x0510	265	70	2	14	217	3700	1420	1780	3161	2 x (Ø420)	937	1825	1340	2 x (700 x 350)	950	1800	2905	1835
NSB145-14x0512	320	70	2	14	217	3700	1420	1780	3361	2 x (Ø480)	937	1825	1310	2 x (850 x 350)	950	1800	3105	1935
NSB145-12x0607	189	72	2	12	217	3220	1660	2020	2761	2 x (Ø350)	817	1585	1275	2 x (500 x 350)	830	1560	2505	1660
NSB145-12x0610	273	72	2	12	217	3220	1660	2020	3061	2 x (Ø450)	817	1585	1225	2 x (750 x 350)	830	1560	2805	1810
NSB145-12x0612	329	72	2	12	217	3220	1660	2020	3261	2 x (Ø480)	817	1585	1210	2 x (900 x 350)	830	1560	3005	1910
NSB145-16x0507	210	80	2	16	217	4180	1420	1780	2961	2 x (Ø380)	1057	2065	1460	2 x (550 x 350)	1070	2040	2705	1875
NSB145-16x0510	303	80	2	16	217	4180	1420	1780	3261	2 x (Ø450)	1057	2065	1425	2 x (800 x 350)	1070	2040	3005	2025
NSB145-16x0512	366	80	2	16	217	4180	1420	1780	3461	2 x (Ø500)	1057	2065	1400	2 x (1000 x 350)	1070	2040	3205	2150
NSB145-14x0607	220	84	2	14	217	3700	1660	2020	2861	2 x (Ø400)	937	1825	1350	2 x (600 x 350)	950	1800	2605	1855
NSB145-14x0610	318	84	2	14	217	3700	1660	2020	3161	2 x (Ø480)	937	1825	1310	2 x (850 x 350)	950	1800	2905	2030
NSB145-14x0612	384	84	2	14	217	3700	1660	2020	3361	2 x (Ø520)	937	1825	1290	2 x (1050 x 350)	950	1800	3105	2155
NSB145-16x0607	252	96	2	16	217	4180	1660	2020	2961	2 x (Ø420)	1057	2065	1440	2 x (700 x 350)	1070	2040	2705	2050
NSB145-16x0610	364	96	2	16	217	4180	1660	2020	3261	2 x (Ø500)	1057	2065	1400	2 x (1000 x 350)	1070	2040	3005	2225
NSB145-16x0612	439	96	2	16	217	4180	1660	2020	3461	2 x (Ø550)	1057	2065	1375	2 x (1150 x 350)	1070	2040	3205	2375
NSB145-20x0507	262	100	2	20	217	5140	1420	1780	2861	2 x (Ø420)	1297	2545	1340	2 x (700 x 350)	1310	2520	2605	2160
NSB145-20x0510	379	100	2	20	217	5140	1420	1780	3161	2 x (Ø520)	1297	2545	1290	2 x (1000 x 350)	1310	2520	2905	2335
NSB145-20x0512	457	100	2	20	217	5140	1420	1780	3361	2 x (Ø580)	1297	2545	1260	2 x (1200 x 350)	1310	2520	3105	2485
NSB325-06x0407	201-260***	24	2	6	347	2680	1820	2220	2961	2 x (Ø420)	682	1315	1440	2 x (700 x 350)	695	1290	2705	1650
NSB325-06x0410	290-376***	24	2	6	347	2680	1820	2220	3261	2 x (Ø520)	682	1315	1390	2 x (1000 x 350)	695	1290	3005	1775
NSB325-06x0412	350-453***	24	2	6	347	2680	1820	2220	3461	2 x (Ø550)	682	1315	1375	2 x (1200 x 350)	695	1290	3205	1875
NSB325-08x0407	268-347***	32	2	8	347	3540	1820	2220	2861	2 x (Ø500)	897	1745	1300	2 x (950 x 350)	910	1720	2605	2115
NSB325-08x0410	387-501***	32	2	8	347	3540	1820	2220	3161	2 x (Ø600)	897	1745	1250	2 x (1350 x 350)	910	1720	2905	2240
NSB325-08x0412	466-604***	32	2	8	347	3540	1820	2220	3361	2 x (Ø650)	897	1745	1225	2 x (1600 x 350)	910	1720	3105	2390
NSB325-12x0407	401-520***	48	3	12	347	5260	1820	2220	2861	3 x (Ø500)	893	1736	1300	3 x (950 x 350)	910	1720	2605	2840
NSB325-12x0410	580-752***	48	3	12	347	5260	1820	2220	3161	3 x (Ø600)	893	1736	1250	3 x (1350 x 350)	910	1720	2905	3040
NSB325-12x0412	699-906***	48	3	12	347	5260	1820	2220	3361	3 x (Ø650)	893	1736	1225	3 x (1600 x 350)	910	1720	3105	3240



TECHNICAL SPECIFICATIONS		
Max working negative pressure	Pa	5000
Working Temperature	°C	-10<T<60
Electric control panel feeding	230 V AC 50Hz	
Cartridge cleaning system	pulse-jet	
Compressed air tank working pressure	bar	5

*** Filtering surface for cartridges with 175 pleats